

John Deere JD MFWD Tractors Front Axles AS, APL Series, Dana, Carraro & Technical Manual (CTM8193)

FRONT AXLES AS, APL
SERIES, DANA, CARRARO &
JOHN DEERE



JOHN HARE



COLLECTION

COMPONENT TECHNICAL MANUAL

Front Axles AS, APL Series, Dana, Carraro and John Deere

CTM8193 30 MAY 14 (English)



John Deere Montenegro
Printed by Belgreen



Covers:

Type: Service Manual

Language: English

Pages: 707

Format: PDF

Features: Bookmarked, searchable, printable

Compatibility: Windows/Mac/Tablet/Mobile

This service manual contains important information for the maintenance, troubleshooting and servicing of the **John Deere JD MFWD Tractors Front Axles AS, APL Series, Dana, Carraro & Technical Manual (CTM8193)**

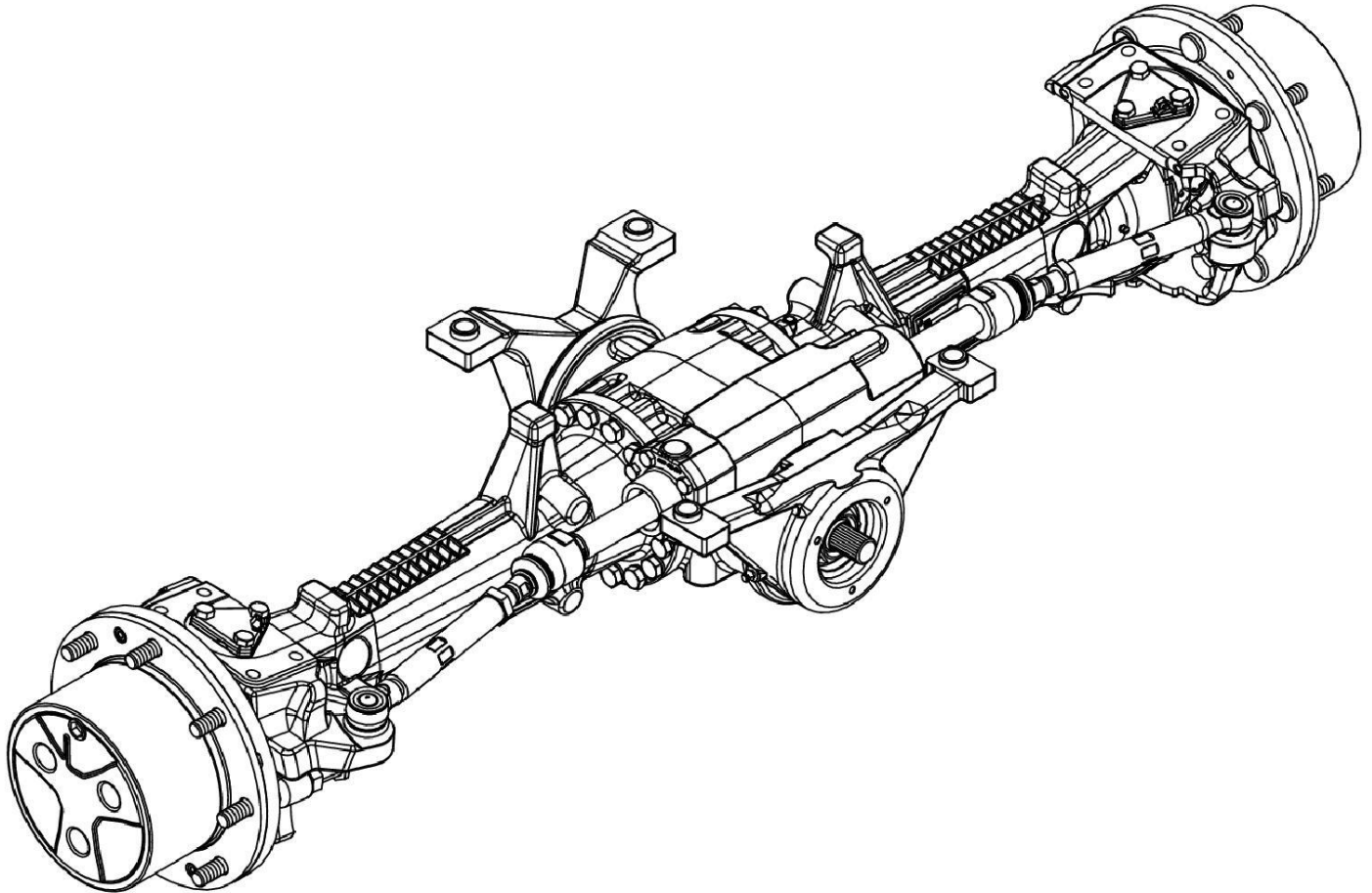
In this manual you will find detailed specifications, illustrations, schematics, diagrams and step-by-step procedures to properly service and diagnose the machine to the manufacturer's standards.

Contents:

- General Information
- Specifications
- Serial Number Location
- Engine Specifications
- Engine Diagnostics
- Engine Tests and Adjustments
- Engine Repair
- Power Train
- Transmission
- Axles
- Differential
- PTO
- Hydraulic System
- Electrical System
- Electrical Tests and Diagnostics
- Wiring Diagram / Schematic
- Ignition and Charging
- Steering
- Brakes
- Wheels
- Operator's Platform
- Body Panels
- Disassembly and Assembly
- Diagnostics, Tests and Adjustments
- Troubleshooting
- and much more...

Please note this manual is in **downloadable PDF format only**. If you have any questions about this product or would like to request sample pages, please contact us and reference the product name or SKU.

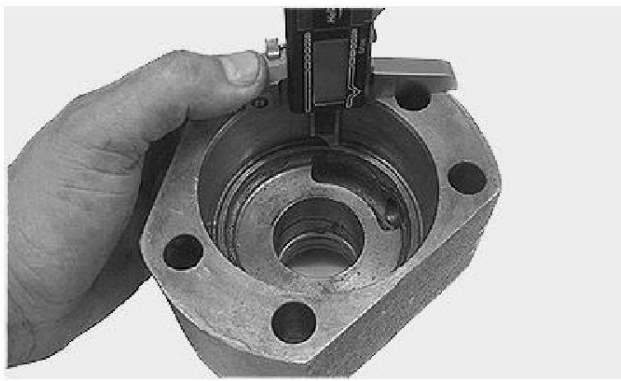
General View of AS 3035 Axle



AS 3035

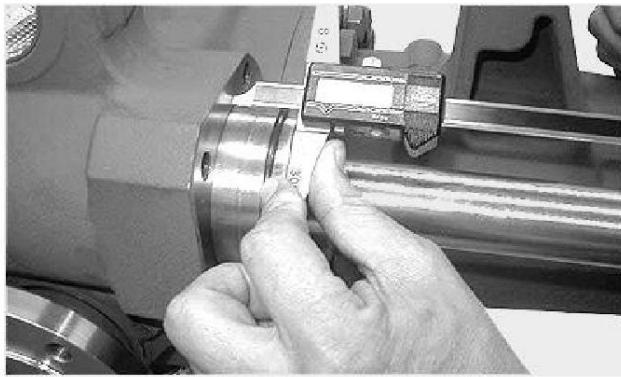
Characteristics:

- Axle frame in three parts.
- Used on light 4X4 tractor series, up to 90 HP.
- Maximum static load 36.000 N, including front ballast and 54.000 N for front loader operation.
- Maximum torque 26.000 N.m.
- Turning radius from 10 to 22 meters.

**Front axle**

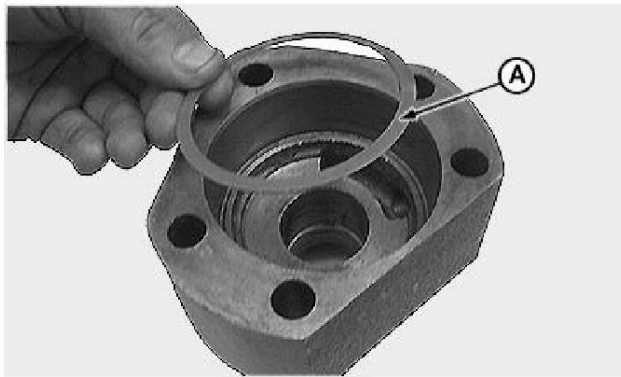
Measure distance between outer and inner face of shim support on cylinder guiding cover.

Example: Dimension I.....31.60 mm

**Front axle**

Measure distance between cylinder face and face of axle housing support.

Example: Dimension II.....30.50 mm

**Front axle**

Select shim (A) in accordance with following calculation:

Shim calculation

Dimension I 31.60 mm

Dimension II -30.50 mm

Difference = Shim thickness 1.10 mm

→NOTE:

Install a shim equal to or slightly greater than thickness calculated.



Thank you very much
for your reading.
Please click here
to get more information.