

# John Deere Pune Works / 9x3 SyncShuttle Transmission Component Technical Manual (CTM900419)

9X3 SYNCSHUTTLE™  
TRANSMISSION - JOHN  
DEERE PUNE WORKS



JOHN HARE



COLLECTION

## COMPONENT TECHNICAL MANUAL

Drive Train PY0970, PY0321, PY0311, PY0110, PY0992, PY0735, PY0736, PY0323,  
PY10196, PY10960, PY10962

CTM900419 01 DEC 15 (English)



John Deere India Pvt. Ltd  
Printed by Belgreen



**Covers:** 5425OR,5725OR,5050E,5055E,5075E,5090E,5045E,5058E,5065E

**Type:** Service Manual

**Language:** English

**Pages:** 157

**Format:** PDF

**Features:** Bookmarked, searchable, printable

**Compatibility:** Windows/Mac/Tablet/Mobile

This service manual contains important information for the maintenance, troubleshooting and servicing of the **John Deere Pune Works / 9x3 SyncShuttle Transmission Component Technical Manual (CTM900419)**

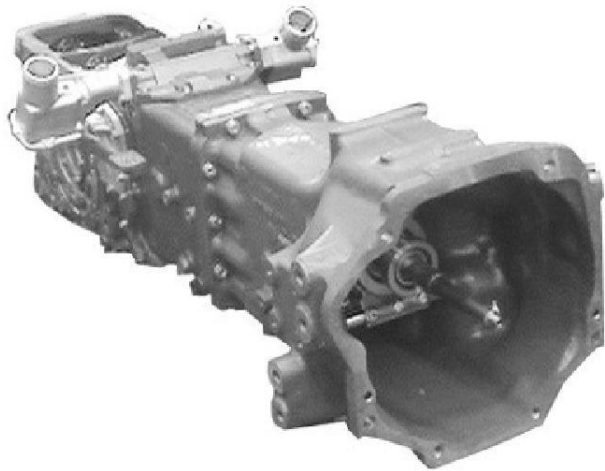
In this manual you will find detailed specifications, illustrations, schematics, diagrams and step-by-step procedures to properly service and diagnose the machine to the manufacturer's standards.

**Contents:**

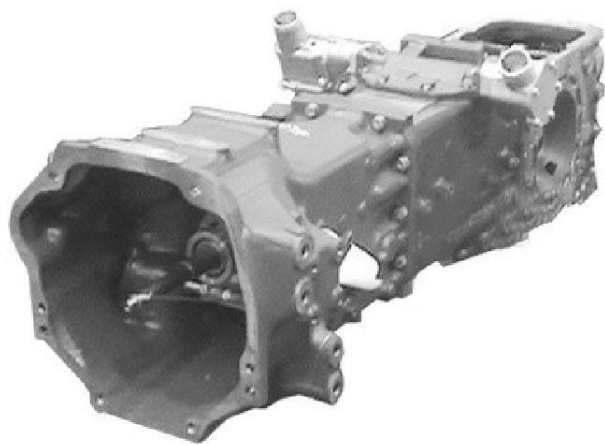
- General Information
- Specifications
- Serial Number Location
- Engine Specifications
- Engine Diagnostics
- Engine Tests and Adjustments
- Engine Repair
- Power Train
- Transmission
- Axles
- Differential
- PTO
- Hydraulic System
- Electrical System
- Electrical Tests and Diagnostics
- Wiring Diagram / Schematic
- Ignition and Charging
- Steering
- Brakes
- Wheels
- Operator's Platform
- Body Panels
- Disassembly and Assembly
- Diagnostics, Tests and Adjustments
- Troubleshooting
- and much more...

Please note this manual is in **downloadable PDF format only**. If you have any questions about this product or would like to request sample pages, please contact us and reference the product name or SKU.

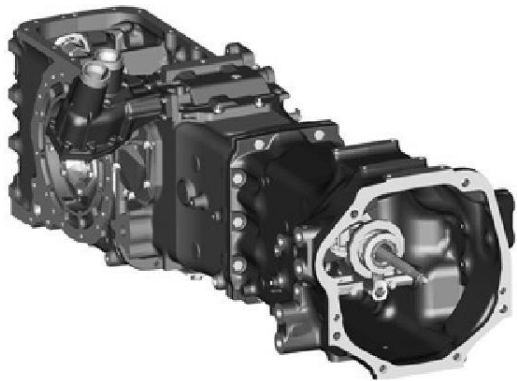
## Drive Trains



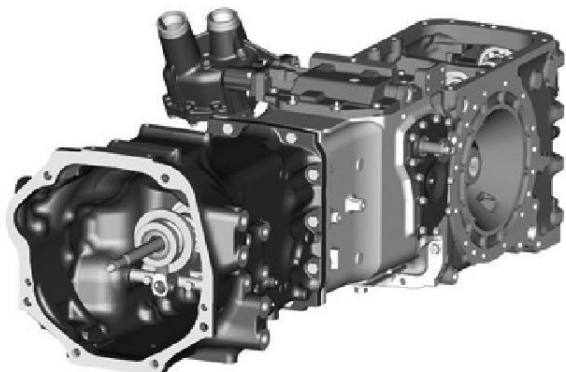
***3/4 Right front View (Transmission – Standard)***

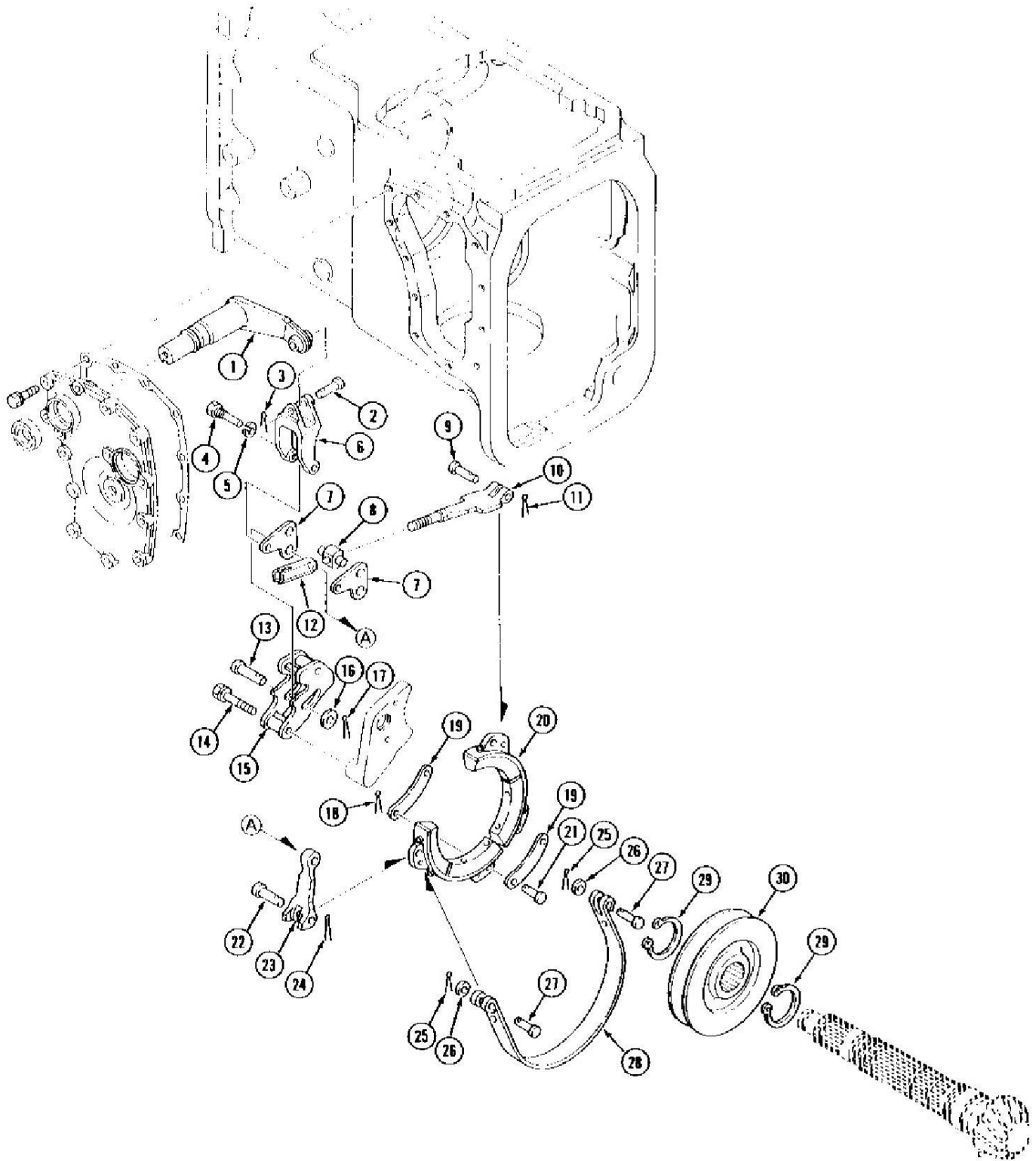


***3/4 Left front View (Transmission – Standard)***



***3/4 Right Front View (Transmission – Limited)***





**Exploded View of Park Brake**

**LEGEND:**

- |   |            |
|---|------------|
| 1 | Brake Arm  |
| 2 | Pin        |
| 3 | Cotter Pin |
| 4 | Cap Screw  |
| 5 | Washer     |
| 6 | Link       |



Thank you very much  
for your reading.  
Please click here  
to get more information.