

# 1997 Doosan SOLAR 010 Crawled Excavator Service Repair Workshop Manual



# Shop Manual

**HYDRAULIC EXCAVATOR**

**SOLAR 010**

## 6. SWING MOTOR

### 6.3 BRAKE VALVE DISASSEMBLY

1. Remove lock nuts. See Figure 6-6.



Figure 6-6

2. Unscrew adjusting screws. See Figure 6-7.



Figure 6-7

3. Loosen plug. See Figure 6-8.



Figure 6-8

4. Remove plug and pull out ball, ball guide, spring, spring seat and sleeve. See Figure 6-9.



Figure 6-9

## 7.2 TRAVEL MOTOR OPERATION

Oil supplied to port A of the end cover assembly (26) flows from an oil hole in the block (45), which is connected with port (A), through a valve (46) to valve (47).

Hydraulic oil flowing in valve (47) causes a block (45) to turn while the shaft (5) is turned with high torque by the driveshaft (51). Oil flows through the oil hole in the valve plate (46) and the block (45) and is fed to port (B) in the end cover assembly.

The shaft (5), connected by the idle gear (13) to the wheel (3), causes a reduction in rpm and an increase in torque of the wheel (3). See Figure 7-1.

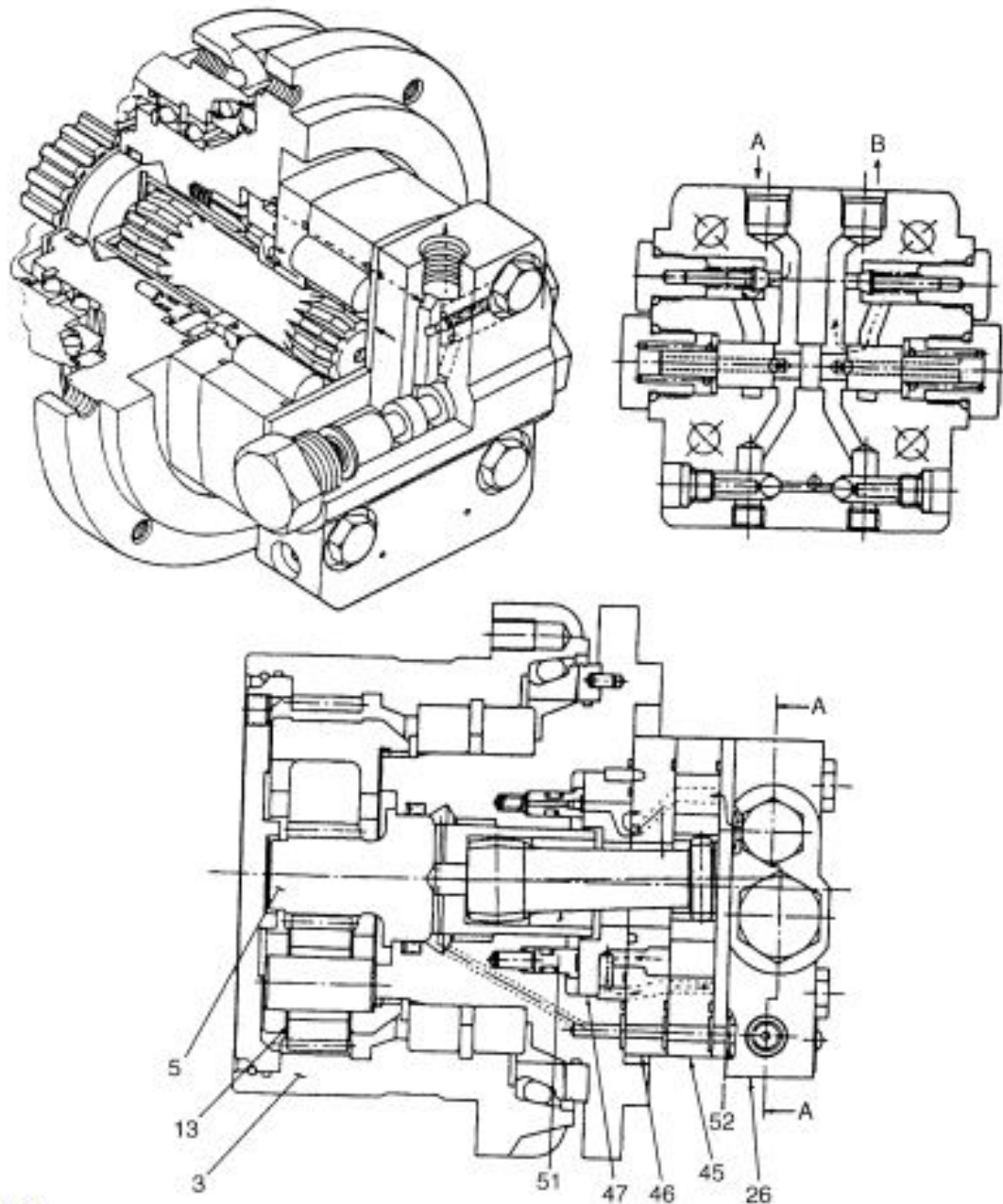


Figure 7-1



Thank you very much  
for your reading.  
Please click here  
to get more information.