

# 2001 Doosan Solar 420LC-V Crawled Excavator Service Repair Workshop Manual





---

# Shop Manual

## DX300LC-3 Excavator

---

Serial Number 1001 and Up  
Serial Number 50001 and Up

DOOSAN and the DOOSAN logo are registered trademarks of DOOSAN Corporation in the United States and various other countries around the world.



950106-00215E

December 2011

# COMPONENT LOCATIONS

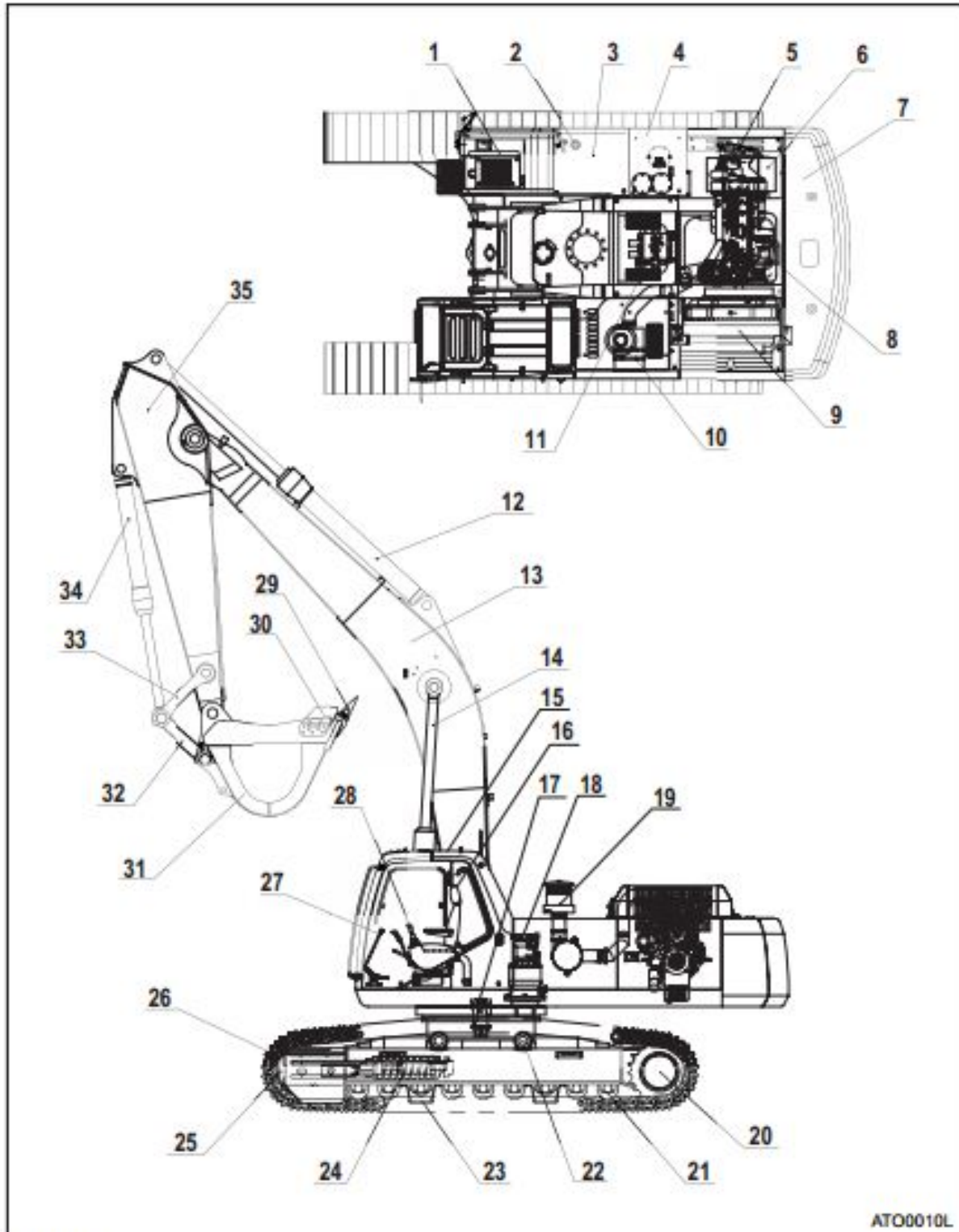


Figure 1

9. Gear pump, complete.

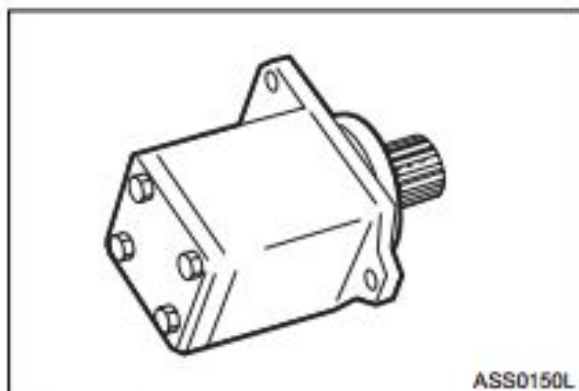


Figure 16

10. Intermediate gear

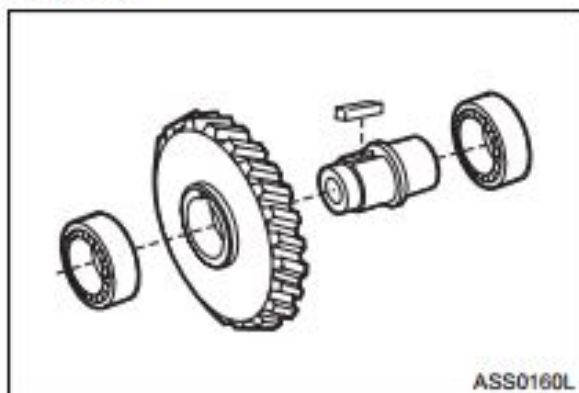


Figure 17

11. Auxiliary drive

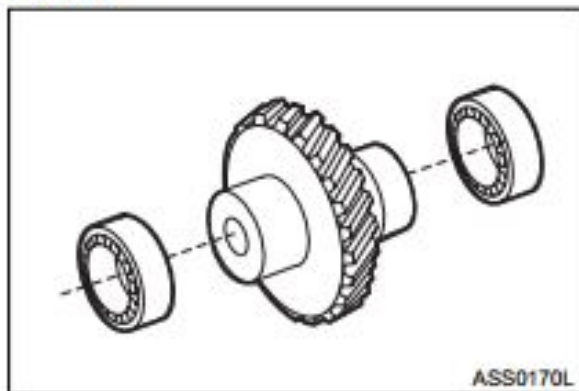


Figure 18

12. Valve plate with valves

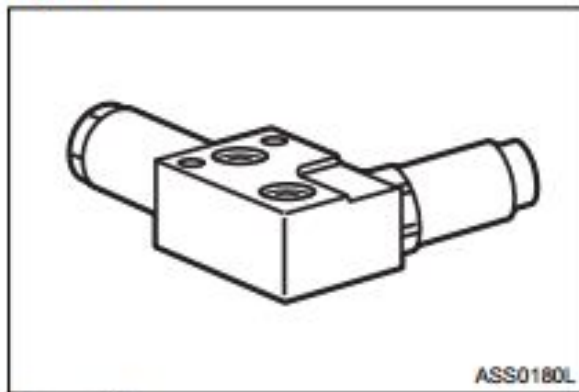


Figure 19



Thank you very much  
for your reading.  
Please click here  
to get more information.