

# 2001 Doosan Solar 470LC-V Crawled Excavator Service Repair Workshop Manual





S0102000  
R1

# TRACK EXCAVATOR SAFETY

## CAUTION!

Follow all safety recommendations and safe shop practices outlined in the front of this manual or those contained within this section.

Always use tools and equipment that is in good working order.

Use lifting and hoisting equipment capable of safely handling load.

Remember, that ultimately safety is your own personal responsibility.

MODEL	SERIAL NUMBER RANGE
Solar 130LC-V	0001 and Up
Solar 170LC-V	1001 and Up
Solar 220LC-V	0001 and Up
Solar 220N-V	1001 and Up
Solar 250LC-V	1001 and Up
Solar 290LC-V	0001 and Up
Solar 300LC-V	1001 and Up
Solar 300LL	1001 and Up
Solar 330LC-V	1001 and Up
Solar 340LC-V	1001 and Up
Solar 400LC-V	1001 and Up
Solar 420LC-V	1001 and Up
Solar 450LC-V	1001 and Up
Solar 470LC-V	1001 and Up

Copyright 2001 Daewoo

December 2001

Track Excavator Safety

S0102000  
Page 1

8. Clean area around fuel tank fill cap (1, Figure 5). Open fuel cap.

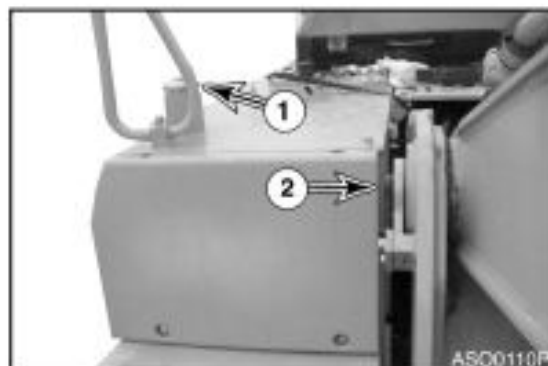


Figure 5

9. Place a large enough container under fuel tank to collect remaining fuel. Open drain valve (Figure 6) at bottom of tank and drain.

**NOTE:** Fuel tank capacity is 620 liters (164 U.S. gal).



Figure 6

10. Tag and disconnect fuel supply line (1, Figure 7) and fuel return line (2) from Fuel tank (3) and carefully drain remaining fuel from lines.
11. Remove clamp (4, Figure 7) holding fuel return line (2) to tank (3).

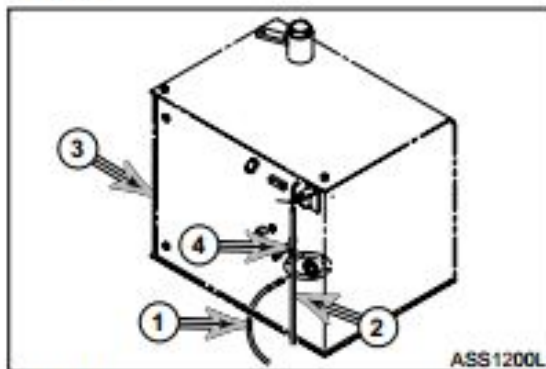


Figure 7

12. Tag and disconnect wires leading to fuel sensor (1, Figure 8) on side of fuel tank (2).
13. If equipped, remove components from fuel filler pump port (3, Figure 8) on side of fuel tank (2).

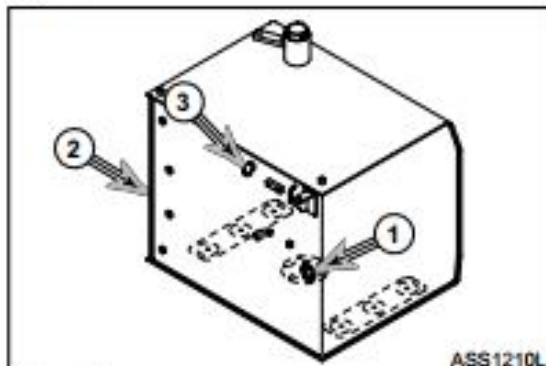


Figure 8

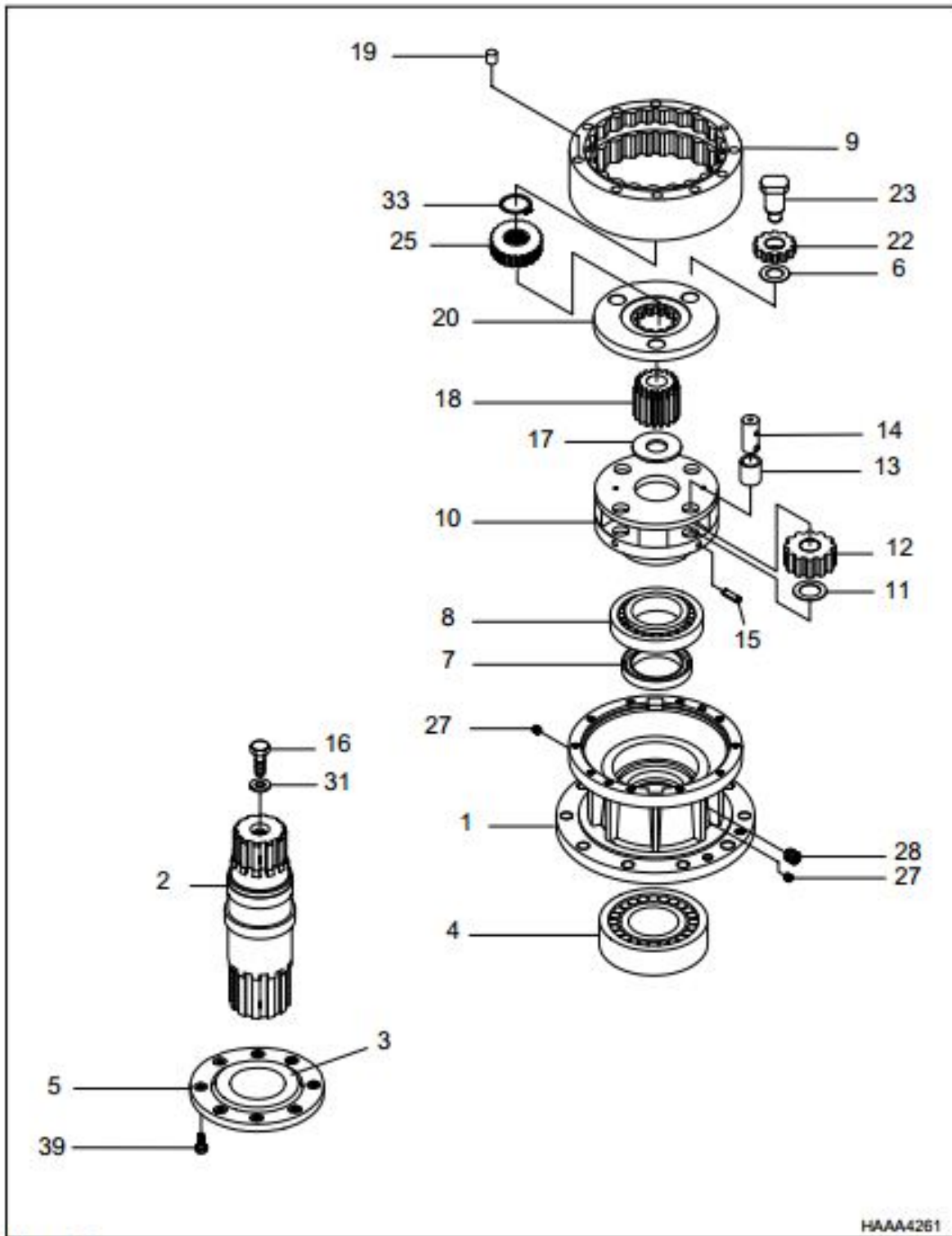


Figure 10



Thank you very much  
for your reading.  
Please click here  
to get more information.