

2006 Doosan DX300LL Crawled Excavator Service Repair Workshop Manual



PDF



DOWNLOAD



DX300LL

Shop Manual

K1011789E

Serial Number 5001 and Up

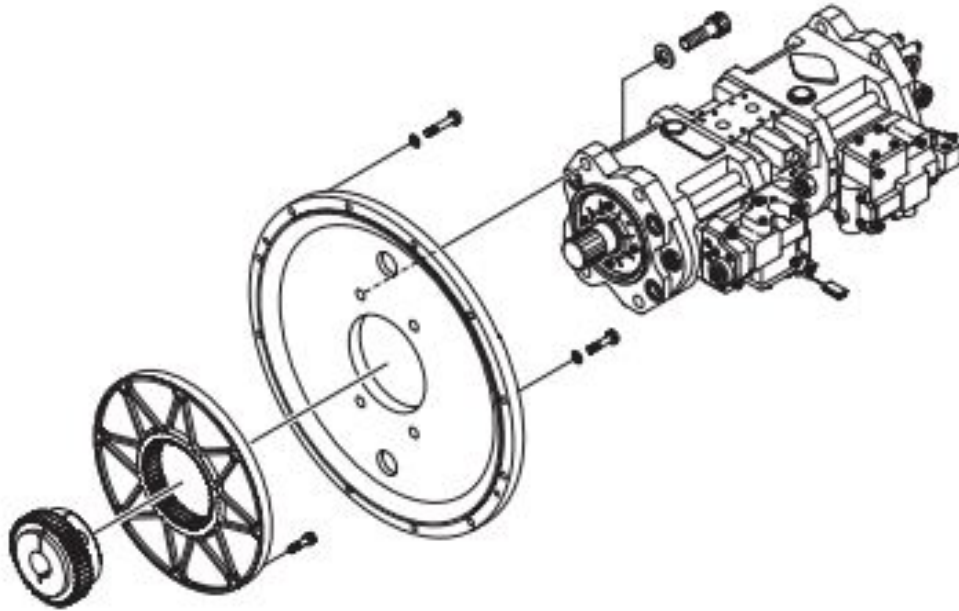
DOOSAN reserves the right to improve our products in a continuing process to provide the best possible product to the market place. These improvements can be implemented at any time with no obligation to change materials on previously sold products. It is recommended that consumers periodically contact their distributors for recent documentation on purchased equipment.

This documentation may include attachments and optional equipment that is not available in your machine's package. Please call your distributor for additional items that you may require.

Illustrations used throughout this manual are used only as a representation of the actual piece of equipment, and may vary from the actual item.

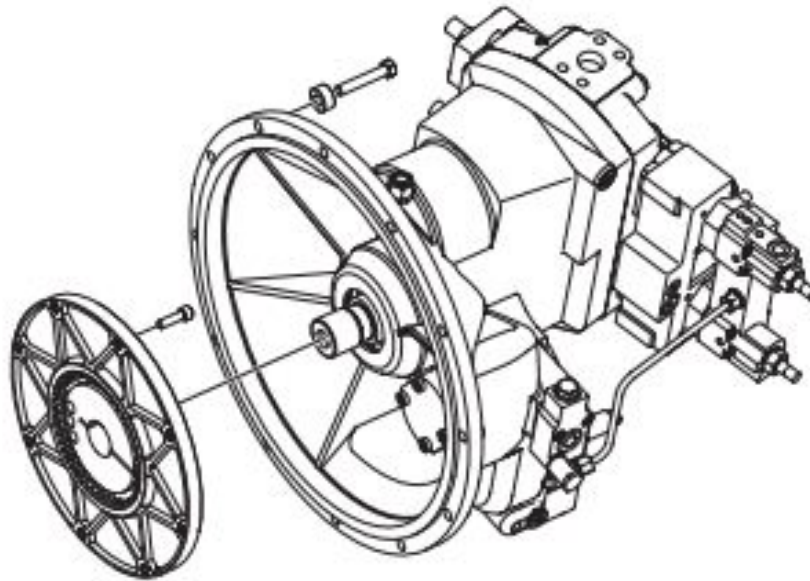
DRIVE COUPLING

Figure 1 thru Figure 2, show typical drive coupling installations.



FG000656

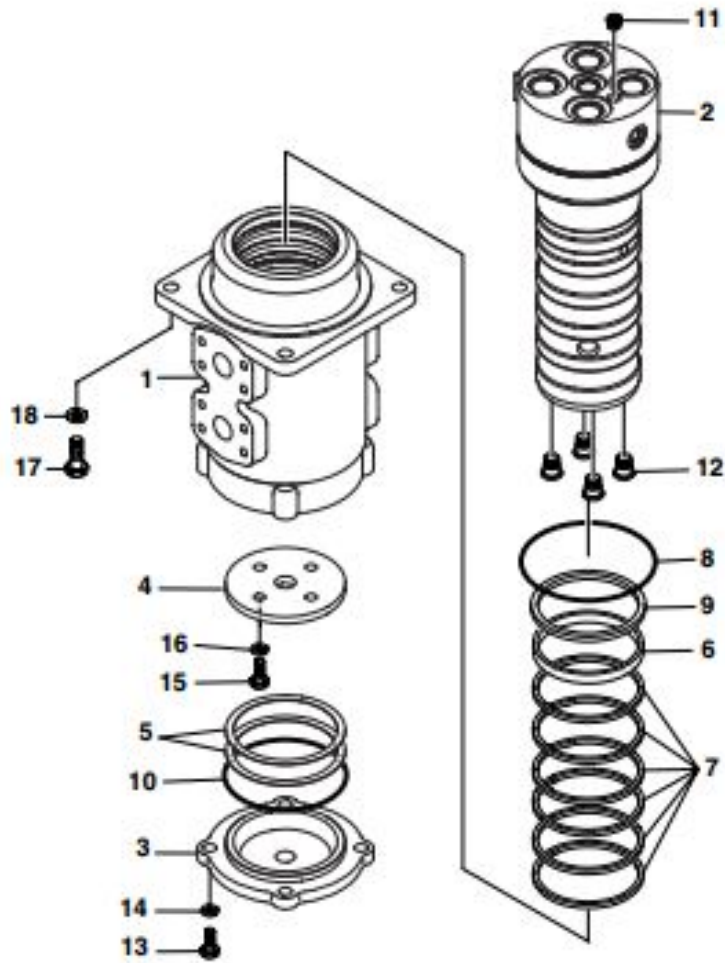
Figure 1



FG000657

Figure 2

Parts List



FG000536

Figure 1

Reference Number	Description
1	Body
2	Spindle
3	Cover
4	Spacer
5	Shim
6	Wear Ring
7	Slipper Ring
8	O-ring
9	O-ring

Reference Number	Description
10	O-ring
11	Plug
12	Plug
13	Bolt
14	Spring Washer
15	Bolt
16	Spring Washer
17	Bolt
18	Spring Washer



Thank you very much
for your reading.
Please click here
to get more information.