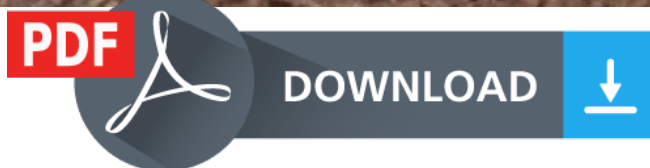


# 2007 Doosan DX190W Wheeled Excavator Service Repair Workshop Manual



# **DX180LC**

Shop Manual

K1024431AE

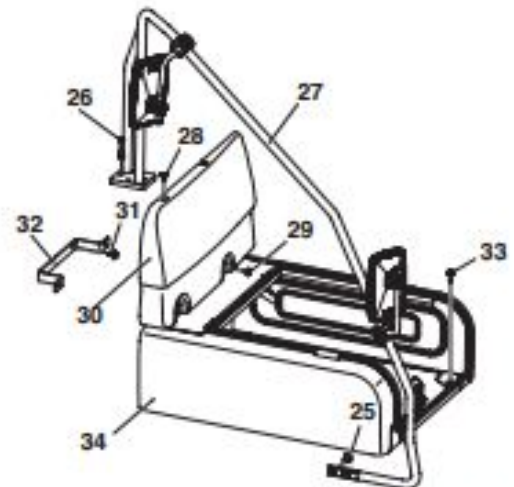
Serial Number 5001 and Up

*DOOSAN* reserves the right to improve our products in a continuing process to provide the best possible product to the market place. These improvements can be implemented at any time with no obligation to change materials on previously sold products. It is recommended that consumers periodically contact their distributors for recent documentation on purchased equipment.

This documentation may include attachments and optional equipment that is not available in your machine's package. Please call your distributor for additional items that you may require.

Illustrations used throughout this manual are used only as a representation of the actual piece of equipment, and may vary from the actual item.

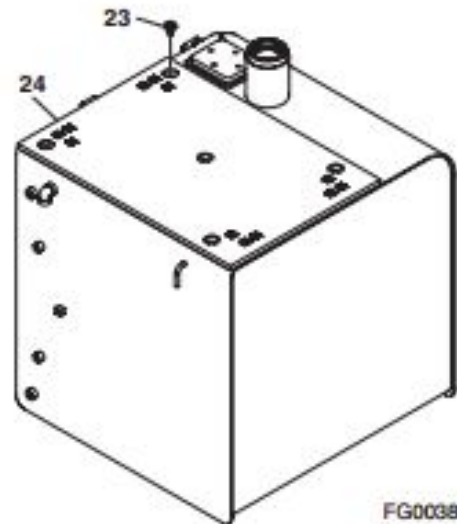
7. Install four bolts (33, Figure 16) and battery cover (34) on frame.  
Install two bolts (31) and bracket (32) on fuel tank.  
Install four bolts (28 and 29) and fuel tank cover (30) on fuel tank.  
Install six bolts (25 and 26) and stay (27) on fuel tank and frame.



FG003876

Figure 16

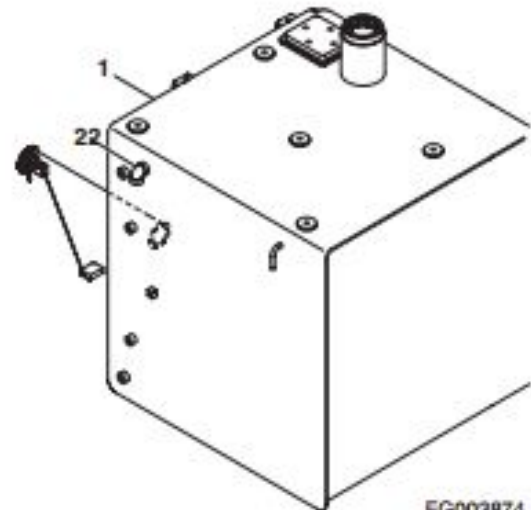
8. Install five bolts (23, Figure 17) and cover (24) on fuel tank.



FG003875

Figure 17

9. If equipped, connect components to fuel filler pump port (22, Figure 18) on side of fuel tank (1).



FG003874

Figure 18



# TROUBLESHOOTING

On some pumps the ON-OFF switch is installed separately at a remote location.

A thermal limiter, built into the motor, will automatically shut off power if motor is overheating to protect it from being damaged.

**NOTE:** *OPEN TEMP:  $150 \pm 5^{\circ}\text{C}$  ( $302 \pm 41^{\circ}\text{F}$ ). After circuit is automatically shut off due to overheating the pump will stop running. When temperature drops below  $143^{\circ}\text{C}$  ( $289^{\circ}\text{F}$ ) the circuit will reactivate allowing the pump to restart.*

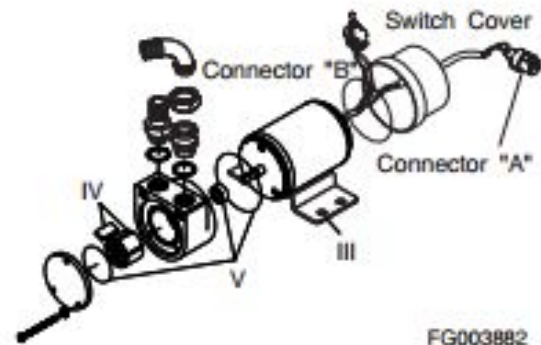


Figure 3 WITH TOGGLE SWITCH

Check resistance at connectors "A." If reading is zero, or very close to zero, the motor is bad and must be replaced.

On units equipped with a toggle switch, check the resistance through the toggle switch, while the switch is in the "ON" position. If continuity is not present, the switch is bad. Be sure to check resistance through the motor.

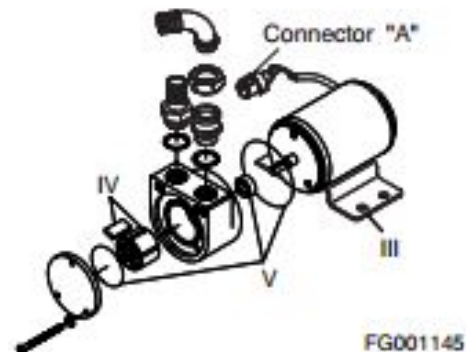


Figure 4 WITHOUT TOGGLE SWITCH

# REPLACEMENT OF ROTOR AND VANE

If dirt or other foreign materials enter the pump during operation, it can become lodged between the rotor and/or vanes and generate heat which can cause the pump damage.

Remove the pump cover and check the rotor and vane. If any pump parts or components become lost, damaged or inoperable, immediately replace them with new ones.

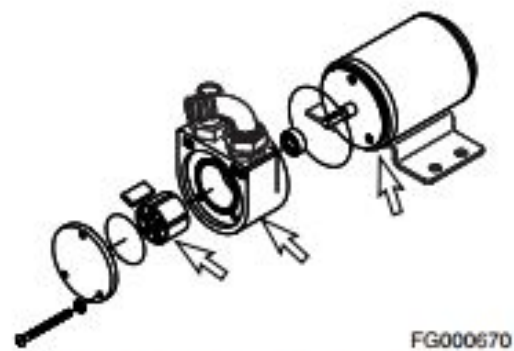


Figure 5 WITHOUT TOGGLE SWITCH



Thank you very much  
for your reading.  
Please click here  
to get more information.