

2007 Doosan DX30Z Crawled Excavator Service Repair Workshop Manual



DX30Z

Shop Manual

K1036951E

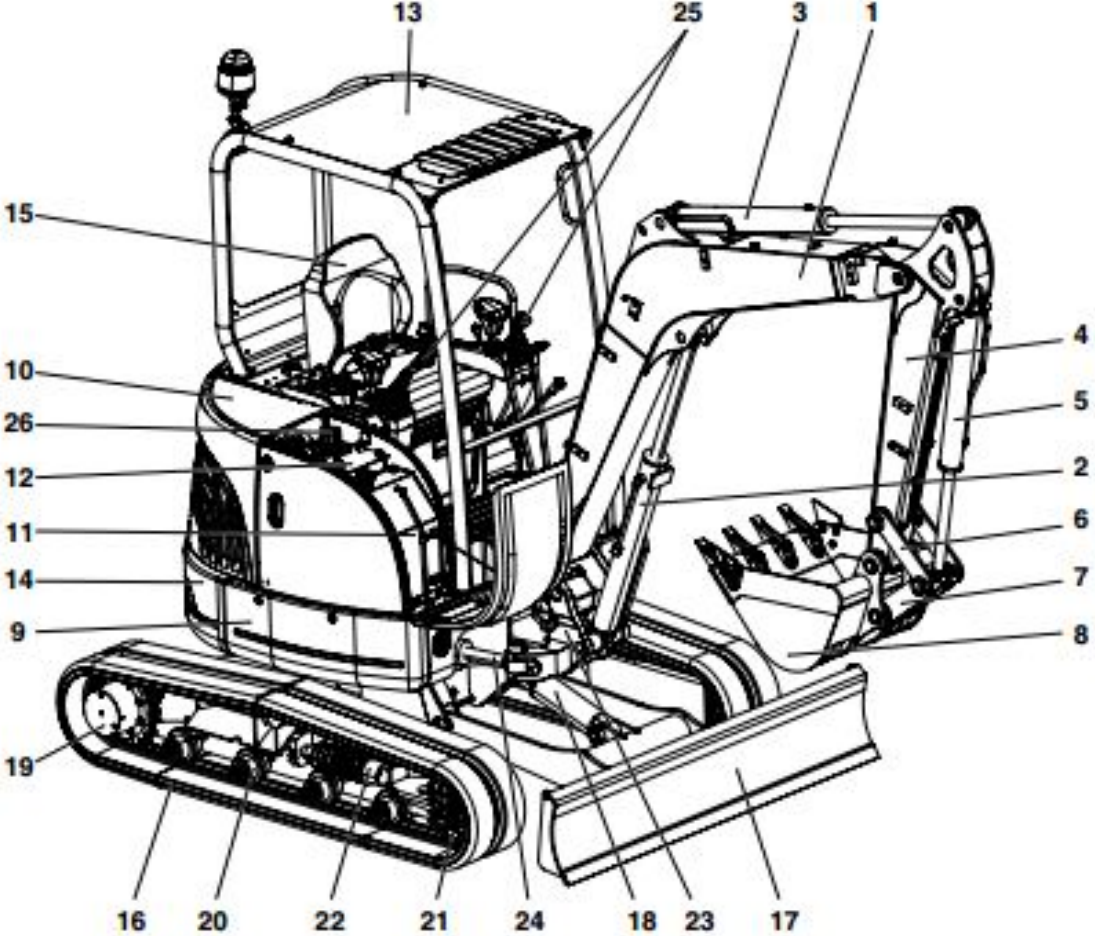
Serial Number 5001 and Up

DOOSAN reserves the right to improve our products in a continuing process to provide the best possible product to the market place. These improvements can be implemented at any time with no obligation to change materials on previously sold products. It is recommended that consumers periodically contact their distributors for recent documentation on purchased equipment.

This documentation may include attachments and optional equipment that is not available in your machine's package. Please call your distributor for additional items that you may require.

Illustrations used throughout this manual are used only as a representation of the actual piece of equipment, and may vary from the actual item.

COMPONENT LOCATIONS



FG010204

Figure 1

GENERAL SERVICE INFORMATION

Component Identification

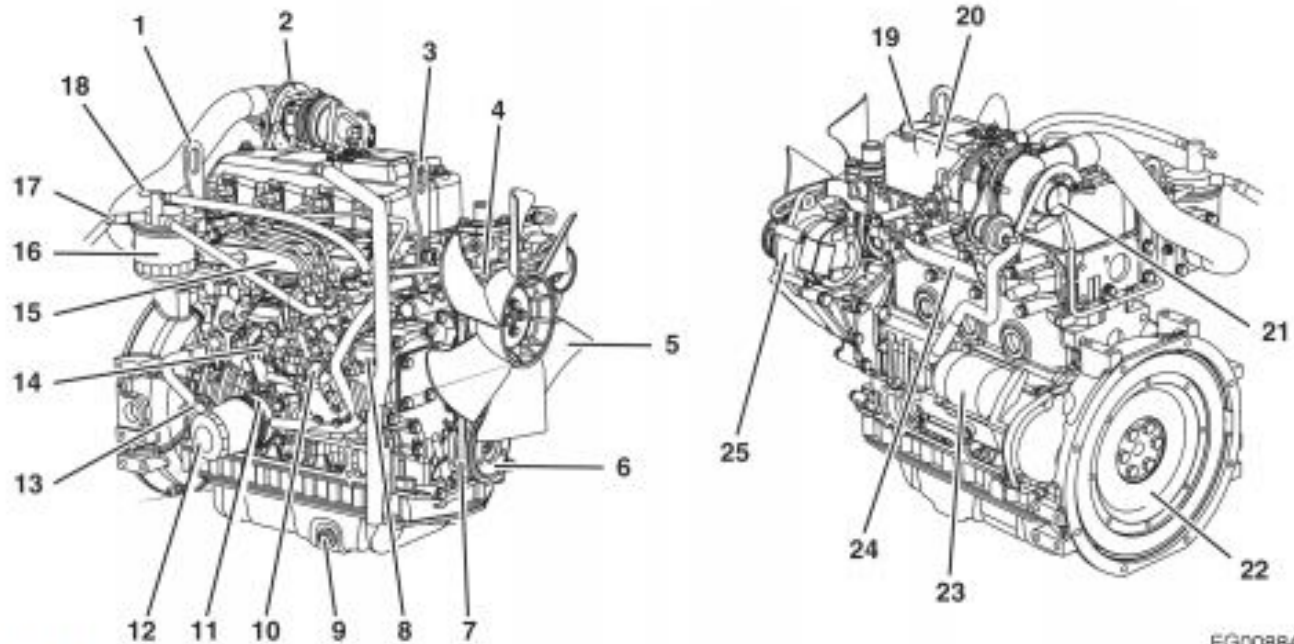


Figure 31

FG008847

| Reference Number | Description |
|------------------|--------------------------------------|
| 1 | Lifting Eye (Flywheel End) |
| 2 | Turbocharger* |
| 3 | Lifting Eye (Engine Cooling Fan End) |
| 4 | Engine Coolant Pump |
| 5 | Engine Cooling Fan |
| 6 | Crankshaft V-Pulley |
| 7 | V-Belt |
| 8 | Side Filler Port (Engine Oil) |
| 9 | Drain Plug (Engine Oil)** |
| 10 | Fuel Injection Pump |
| 11 | Engine Oil Cooler*** |
| 12 | Engine Oil Filter |
| 13 | Dipstick (Engine Oil) |

| Reference Number | Description |
|------------------|------------------------------------|
| 14 | Governor Lever |
| 15 | Intake Manifold |
| 16 | Fuel Filter |
| 17 | Fuel Inlet |
| 18 | Fuel Return to Fuel Tank |
| 19 | Top Filler Port (Engine Oil) |
| 20 | Rocker Arm Cover |
| 21 | Air Intake Port (From Air Cleaner) |
| 22 | Flywheel |
| 23 | Starter Motor |
| 24 | Exhaust Manifold |
| 25 | Alternator |



Thank you very much
for your reading.
Please click here
to get more information.