

# 2009 Doosan DX230LC Crawled Excavator Service Repair Workshop Manual



# **Solar 250LC-V**

Shop Manual

023-00031E

Serial Number 1001 and Up

August 2000

Daewoo reserves the right to improve our products in a continuing process to provide the best possible product to the market place. These improvements can be implemented at any time with no obligation to change materials on previously sold products. It is recommended that consumers periodically contact their distributors for recent documentation on purchased equipment.

This documentation may include attachments and optional equipment that is not available in your machine's package. Please call your distributor for additional items that you may require.

Illustrations used throughout this manual are used only as a representation of the actual piece of equipment, and may vary from the actual item.

PARTS LIST

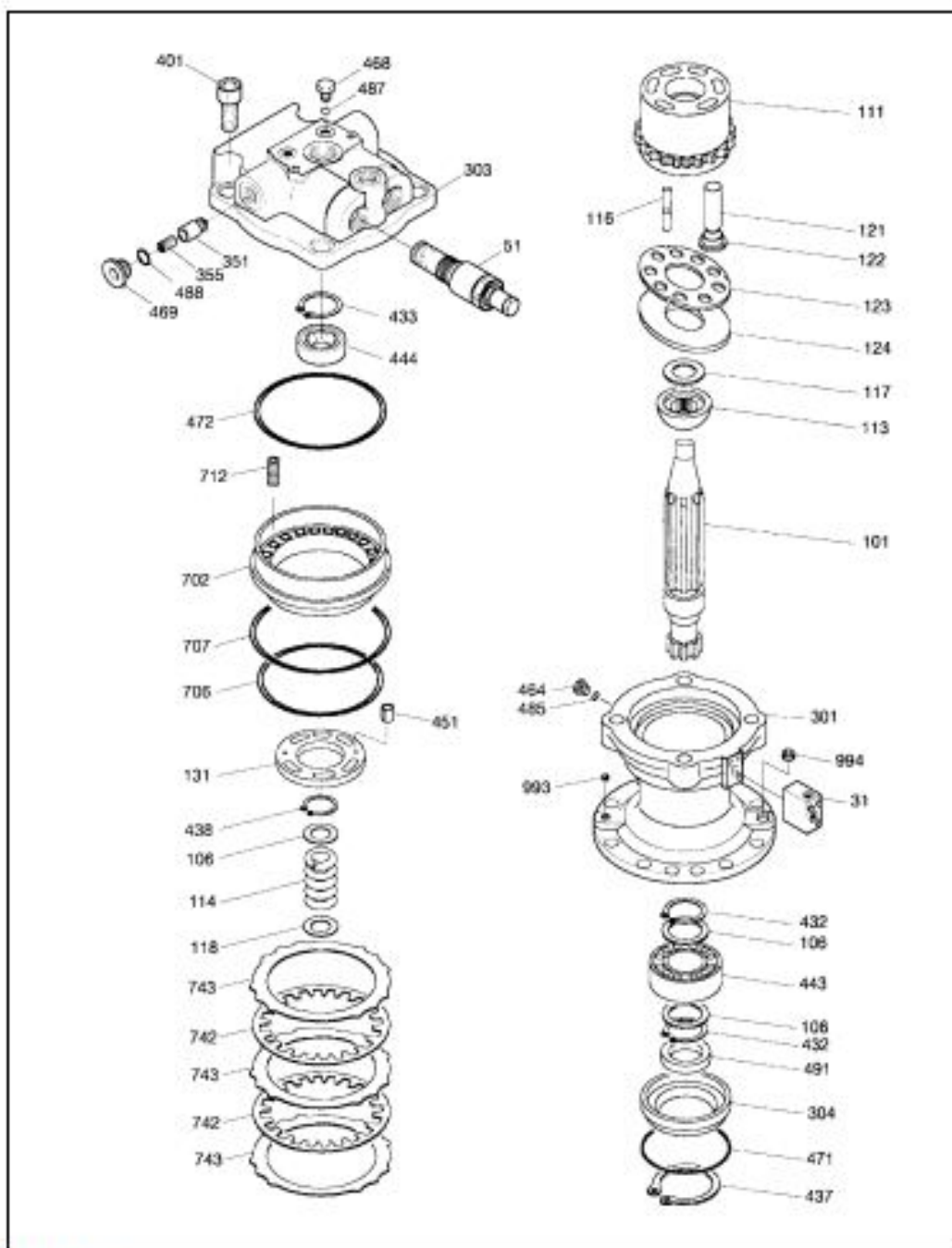


Figure 4



## CAUTION!

Take care not to damage the sliding surface of floating seal (23, Figure 4) or its O-ring.



## CAUTION!

Bearings (19, Figure 4) have been tightly press fitted into housing (18). Do not remove the bearings (19) unless replacement is needed.

If bearings are removed, do not re-use them. New bearings should be used and a shim adjustment must be performed.



Figure 31

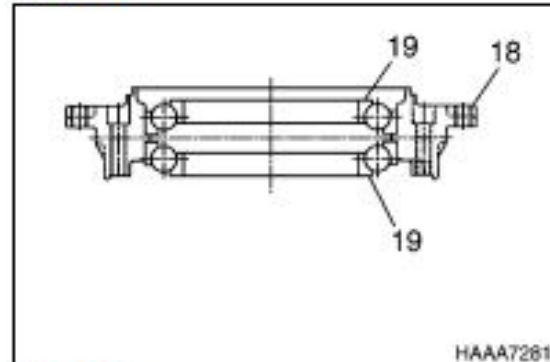


Figure 32

8. Remove floating seal.
  - A. Remove floating seal (23, Figure 4) from motor.
9. Disassemble carrier one assembly



## CAUTION!

When carrier pins one (3, Figure 4) are to be re-used, match mark each pin with its mated hole on carrier one (2) to assure the same combination during assembly.



Figure 33



Thank you very much  
for your reading.  
Please click here  
to get more information.