

# 2010 Doosan DX210/DX225LCB Crawled Excavator Service Repair Workshop Manual



PDF



DOWNLOAD



# **DX210 DX225LCB**

Shop Manual

950106-00185E

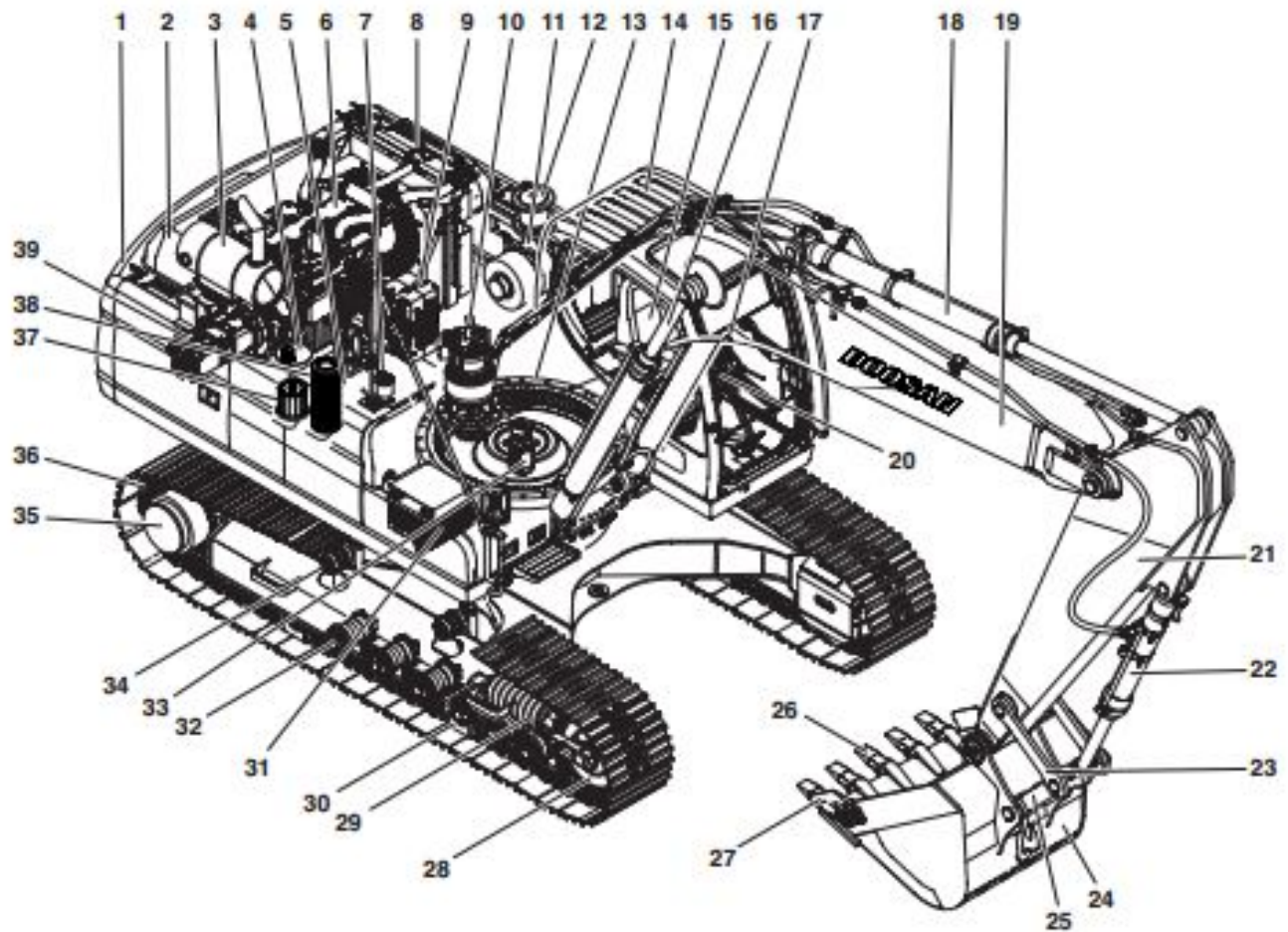
Serial Number 5001 and Up

*DOOSAN* reserves the right to improve our products in a continuing process to provide the best possible product to the market place. These improvements can be implemented at any time with no obligation to change materials on previously sold products. It is recommended that consumers periodically contact their distributors for recent documentation on purchased equipment.

This documentation may include attachments and optional equipment that is not available in your machine's package. Please call your distributor for additional items that you may require.

Illustrations used throughout this manual are used only as a representation of the actual piece of equipment, and may vary from the actual item.

# COMPONENT LOCATIONS



FG016356

Figure 1

- Put the nipple to supply grease in the PT1/4 tap hole and start to supply grease until it flows out of the opposite PT1/4 hole.



Figure 105



Figure 106

- After the completion of supplying grease, release and remove cokes, assemble the PT1/4 plug sealed with Teflon tape (torque: 220 kgf.cm), tighten it with a torque wrench, wipe out grease and other foreign substance remaining on the surface, and check the assembled position of the motor again.



Figure 107



Figure 108



Thank you very much  
for your reading.  
Please click here  
to get more information.