

# 2010 Doosan DX235LCR Crawled Excavator Service Repair Workshop Manual



PDF



DOWNLOAD



# Solar 255LC-V

Shop Manual

023-00057E

Serial Number 1001 and Up

Daewoo reserves the right to improve our products in a continuing process to provide the best possible product to the market place. These improvements can be implemented at any time with no obligation to change materials on previously sold products. It is recommended that consumers periodically contact their distributors for recent documentation on purchased equipment.

This documentation may include attachments and optional equipment that is not available in your machine's package. Please call your distributor for additional items that you may require.

Illustrations used throughout this manual are used only as a representation of the actual piece of equipment, and may vary from the actual item.

# PARTS LIST

## Type 1

MODEL	SERIAL NUMBER RANGE
Solar 220LC-V	0001 thru 0125
Solar 220LL	1001 and 1125

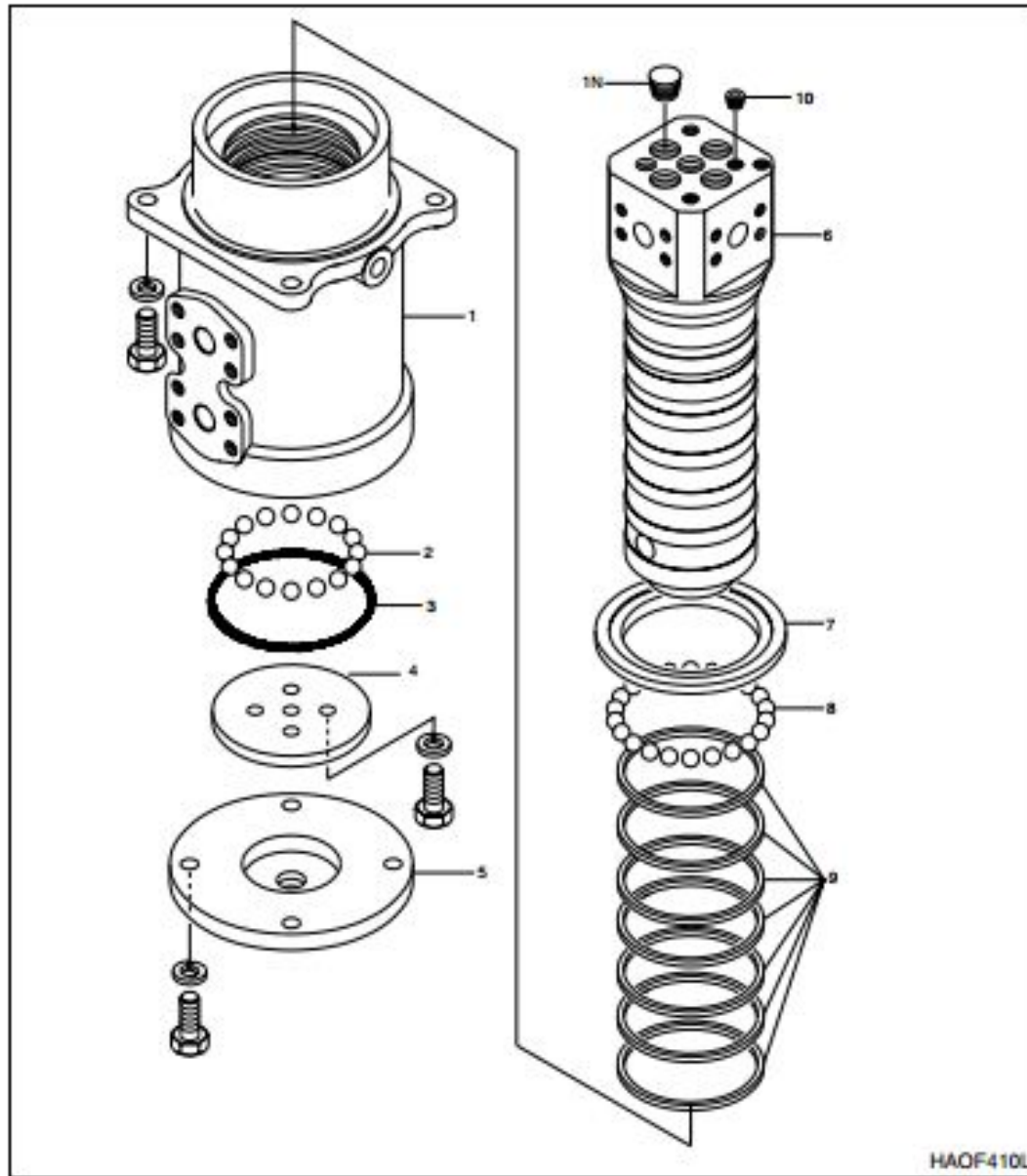


Figure 1

# DISASSEMBLY

## CAUTION!

Vent air from the hydraulic system before disconnecting cylinder piping connections. Use the lever on the reservoir, while the engine is running. Discharge the hydraulic accumulator and vent residual tank pressure after the engine is shut off. Pour clean replacement fluid back into the system if excessive fluid is lost.

1. Following removal of cylinder from excavator attachment, support cylinder on some type of sturdy work platform and drain all oil. Rotate cylinder so that piping ports are on top, to allow trapped air to vent.

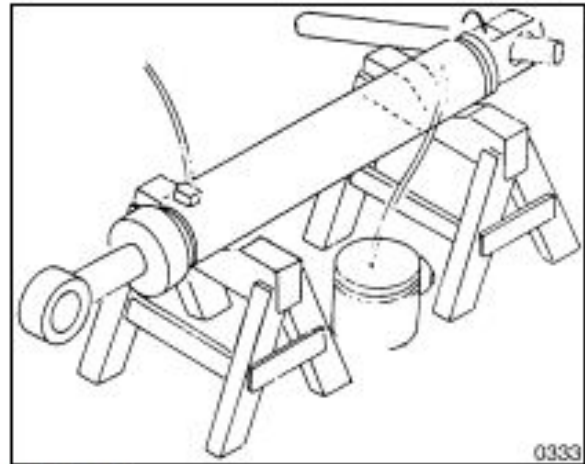


Figure 12

2. Position piston rod so that it is extended approximately one half meter (20").

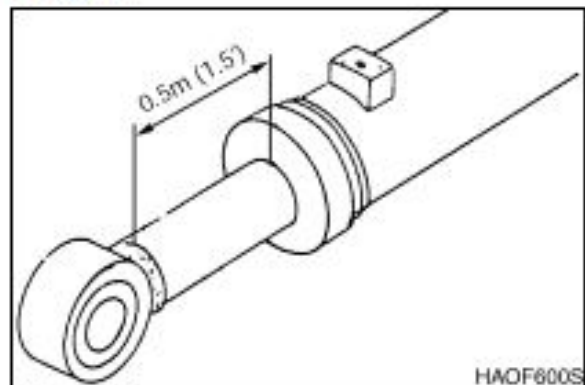


Figure 13

3. Remove bolts (7) on the end of cylinder.

**NOTE:** Wrap a cloth or other protective material around piston rod, to avoid possibility of accidentally scratching or scoring rod surface while fasteners are being loosened and removed. Component parts (numbered in parentheses) are keyed to Figure 4.

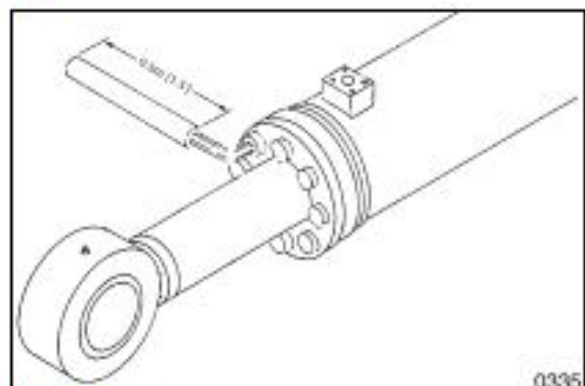


Figure 14



Thank you very much  
for your reading.  
Please click here  
to get more information.