

2010 Doosan DX235NLC Crawled Excavator Service Repair Workshop Manual



Solar 290LL

Shop Manual

2023-7132E

Serial Number 1001 and Up

Daewoo reserves the right to improve our products in a continuing process to provide the best possible product to the market place. These improvements can be implemented at any time with no obligation to change materials on previously sold products. It is recommended that consumers periodically contact their distributors for recent documentation on purchased equipment.

This documentation may include attachments and optional equipment that is not available in your machine's package. Please call your distributor for additional items that you may require.

Illustrations used throughout this manual are used only as a representation of the actual piece of equipment, and may vary from the actual item.

PARTS LIST

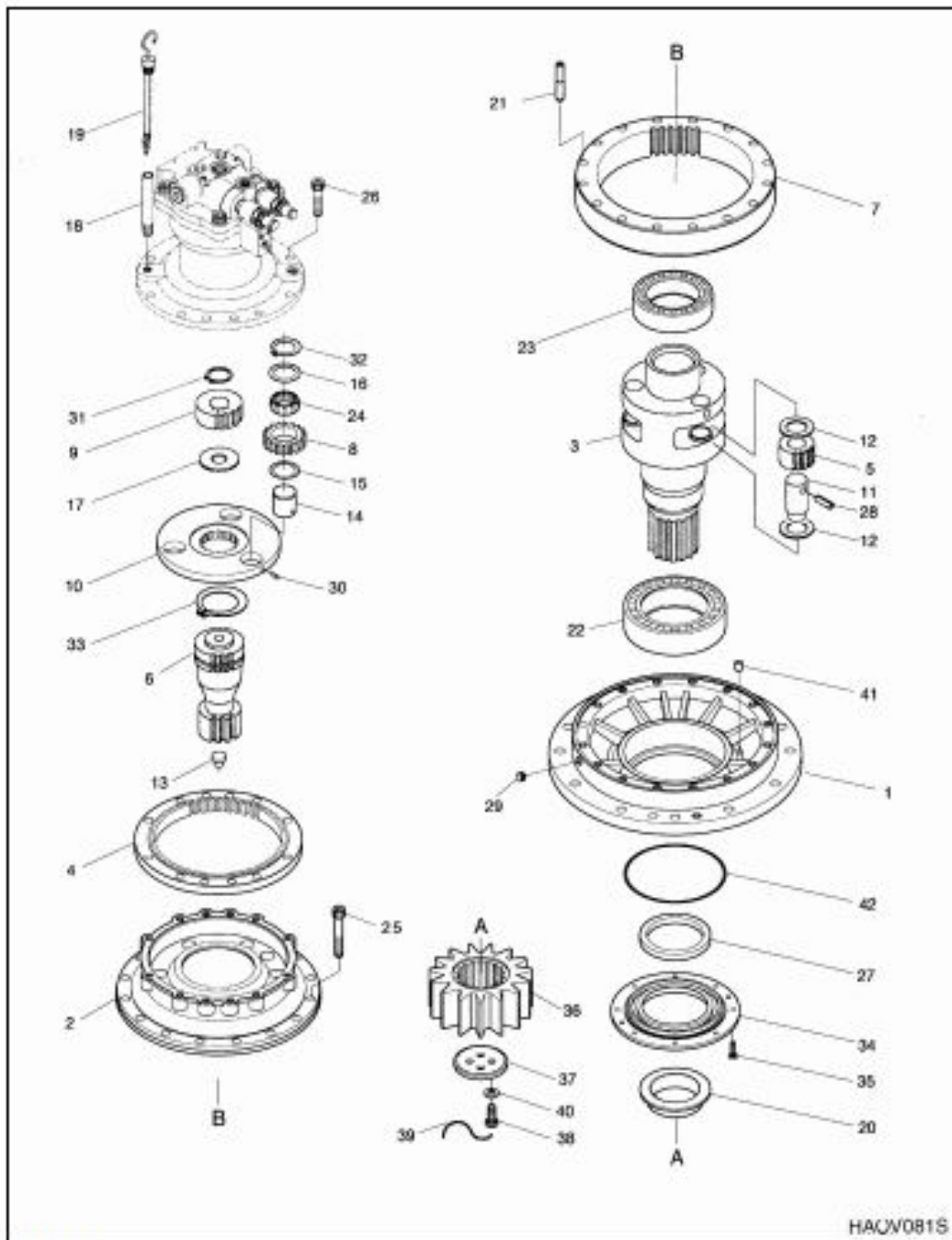


Figure 1

8. Loosen and remove all four socket head bolts (401) and separate upper valve casing (303) from lower casing (301).

NOTE: *Valve plate (131) inside upper valve casing (303) must be separated from assembly but take extra care to make sure that it is not scratched or damaged by an accidental fall, after cover is removed.*



Figure 12

9. Remove all twenty brake springs.

NOTE: *If brake springs are to be reused and not replaced, check and record spring free height. If a test stand is available, check height of all twenty springs under consistent loading. Replace all springs that show excessive variation or weakness.*



Figure 13

10. Disassemble brake piston assembly using special tool and corresponding piston bolt hole.

NOTE: *See "Special Tools" portion of this section for manufacturing details of special tool.*



Figure 14



Thank you very much
for your reading.
Please click here
to get more information.