

# 2010 Doosan DX700LC Crawled Excavator Service Repair Workshop Manual



# **DX700LC**

Shop Manual

950106-00013E

Serial Number 5001 and Up

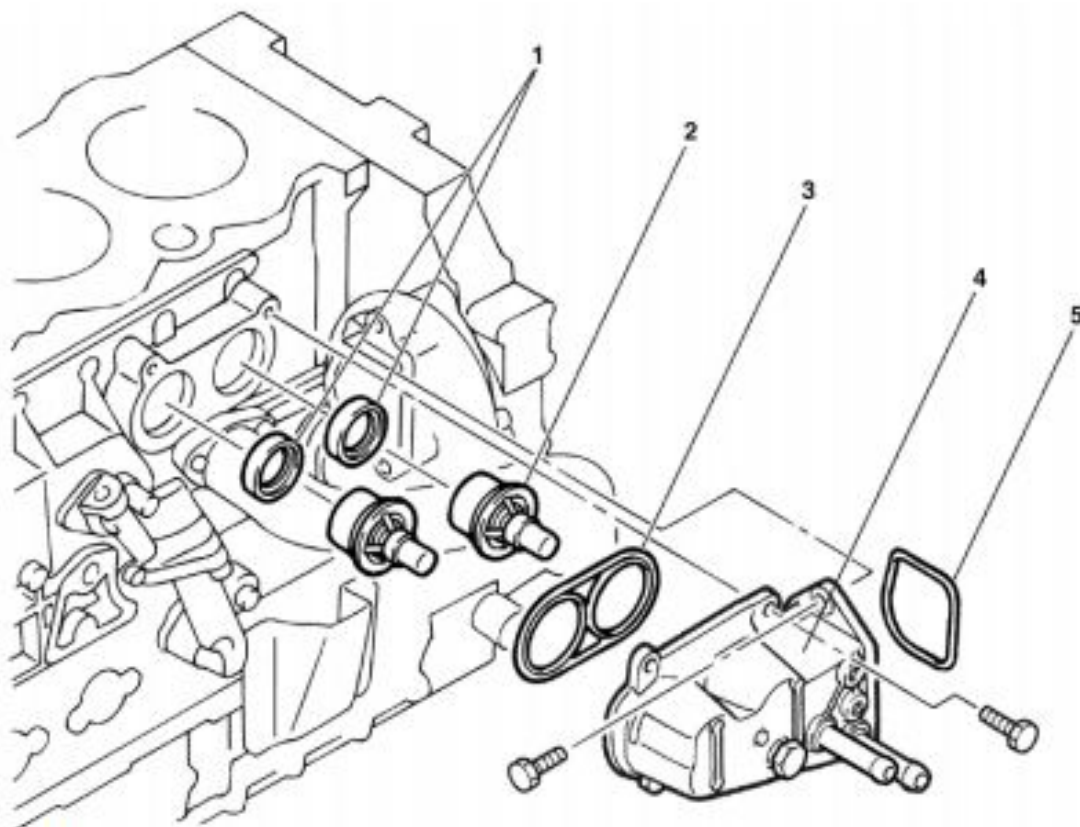
Doosan reserves the right to improve our products in a continuing process to provide the best possible product to the market place. These improvements can be implemented at any time with no obligation to change materials on previously sold products. It is recommended that consumers periodically contact their distributors for recent documentation on purchased equipment.

This documentation may include attachments and optional equipment that is not available in your machine's package. Please call your distributor for additional items that you may require.

Illustrations used throughout this manual are used only as a representation of the actual piece of equipment, and may vary from the actual item.

# Thermostat

## Components



FG017436

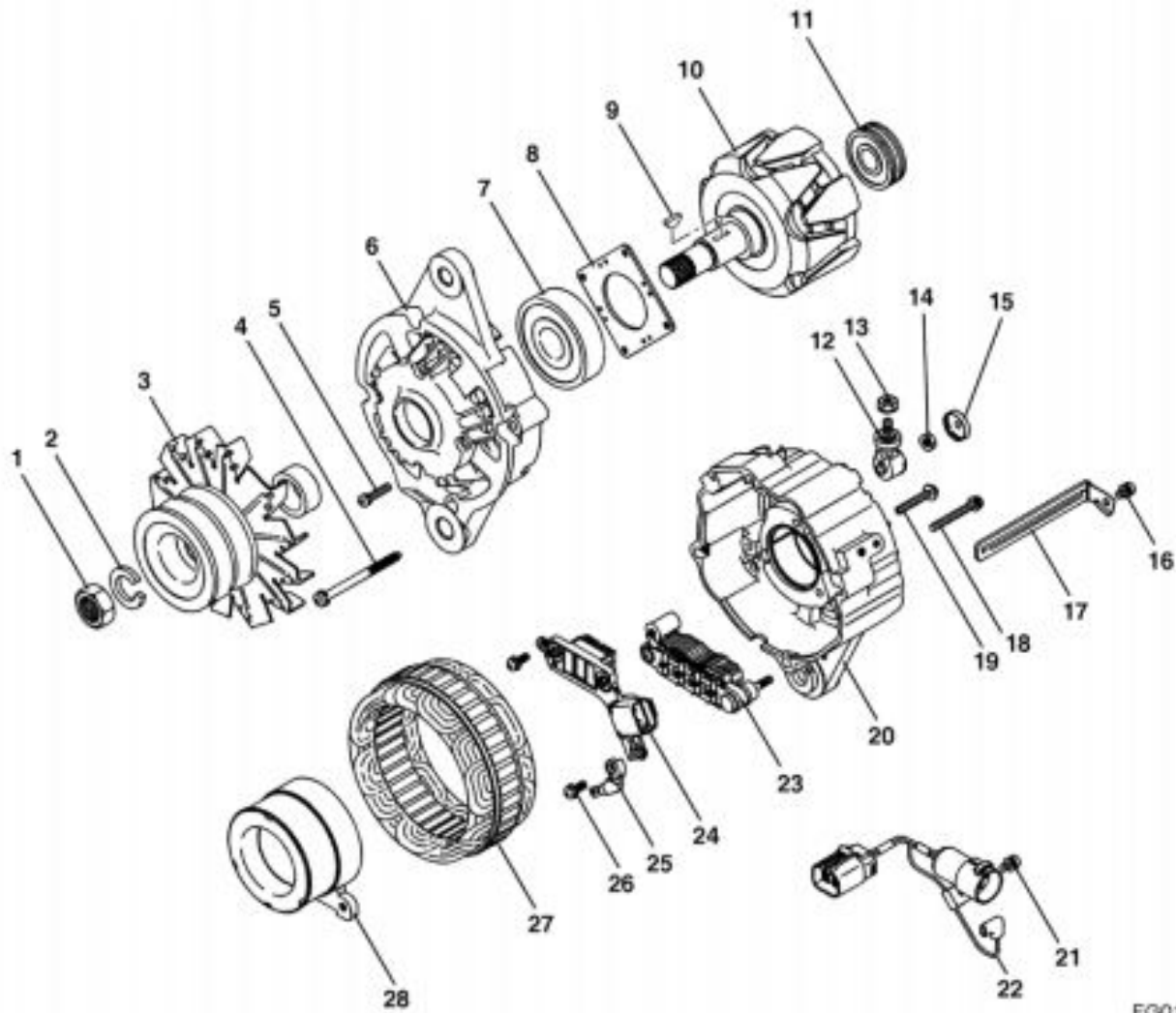
Figure 326

Reference Number	Description
1	Seal Ring
2	Thermostat
3	Gasket

Reference Number	Description
4	Thermostat Housing
5	O-ring

# Generator

## Components



FG017505

Figure 393



Thank you very much  
for your reading.  
Please click here  
to get more information.