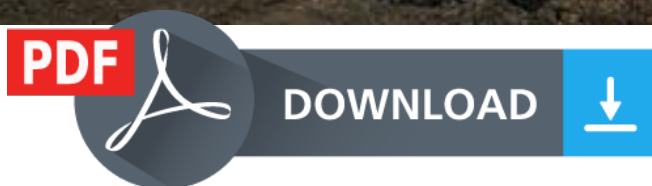


# 2012 Doosan DX380LC-3 Crawled Excavator Service Repair Workshop Manual





---

# Shop Manual

## DX380LC-3 Excavator

---

Serial Number 10001 and Up

DOOSAN and the DOOSAN logo are registered trademarks of DOOSAN Corporation in the United States and various other countries around the world.

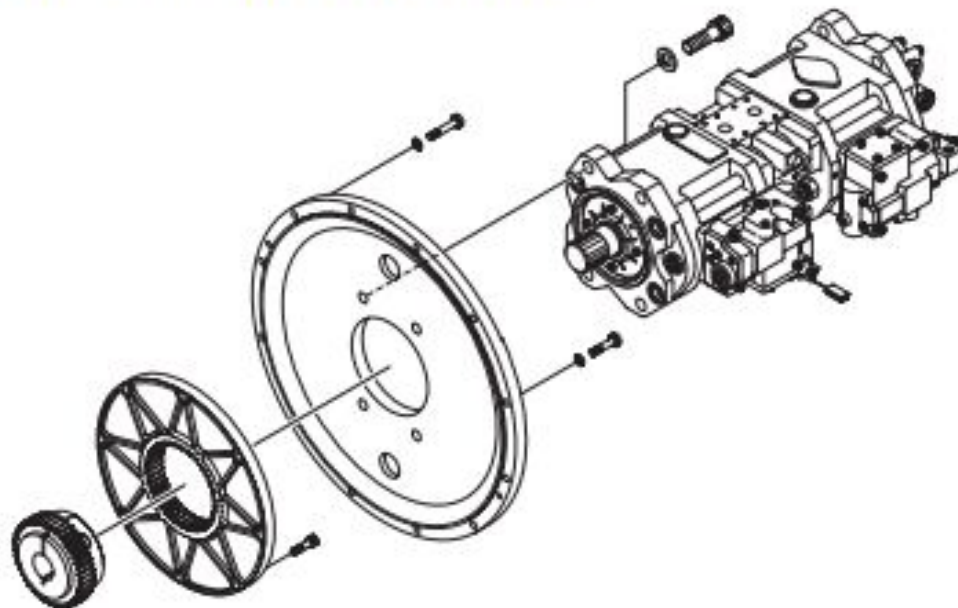


950106-00228E

April 2012

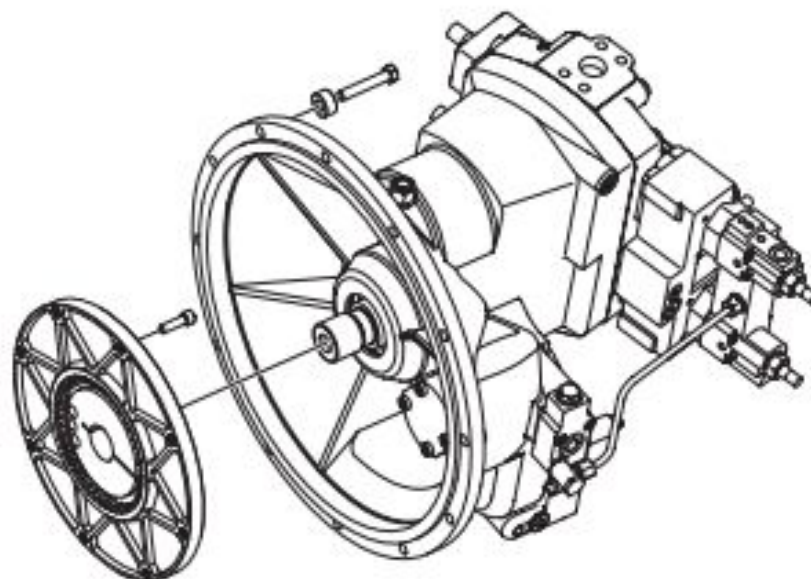
# DRIVE COUPLING

Figure 1 thru Figure 2, show typical drive coupling installations.



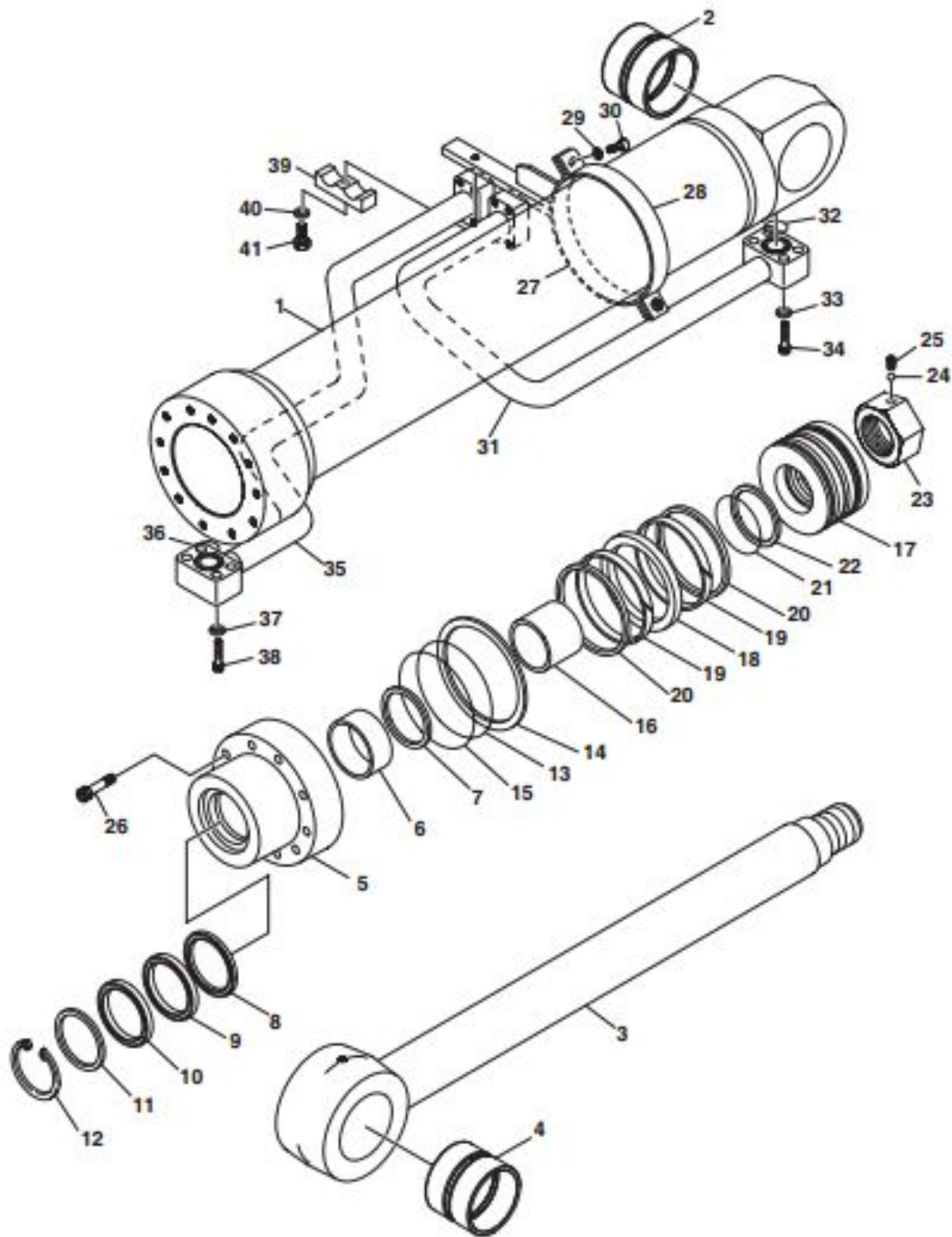
FG000656

Figure 1



FG000657

Figure 2



FG020708

Figure 5



Thank you very much  
for your reading.  
Please click here  
to get more information.