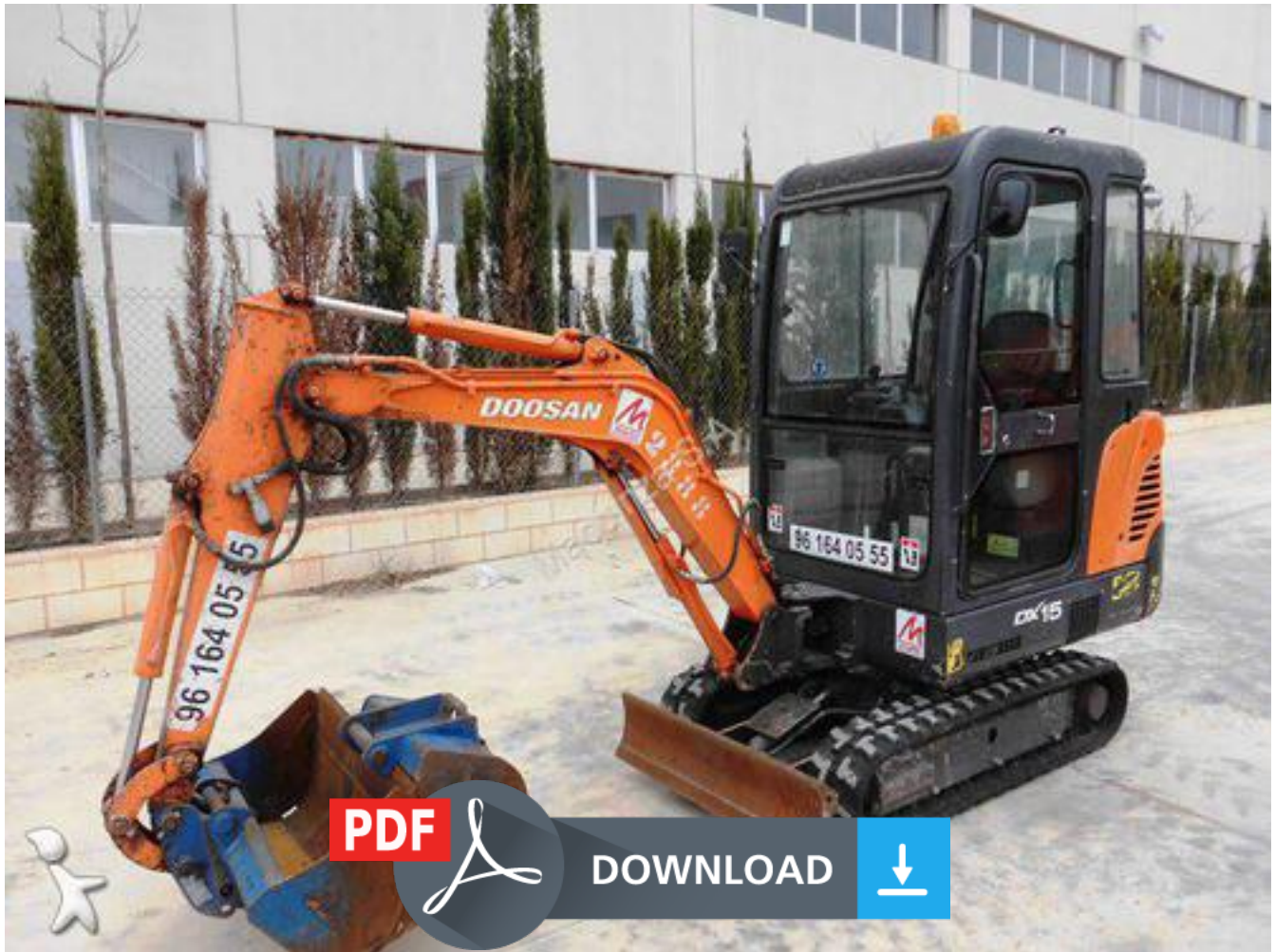


2012 Doosan DX480LCA/DX500LCA Crawled Excavator Service Repair Workshop Manual



DX15 / DX18

Shop Manual

K1043970AE

Serial Number 40001 and Up

DOOSAN reserves the right to improve our products in a continuing process to provide the best possible product to the market place. These improvements can be implemented at any time with no obligation to change materials on previously sold products. It is recommended that consumers periodically contact their distributors for recent documentation on purchased equipment.

This documentation may include attachments and optional equipment that is not available in your machine's package. Please call your distributor for additional items that you may require.

Illustrations used throughout this manual are used only as a representation of the actual piece of equipment, and may vary from the actual item.

COMPONENT LOCATIONS

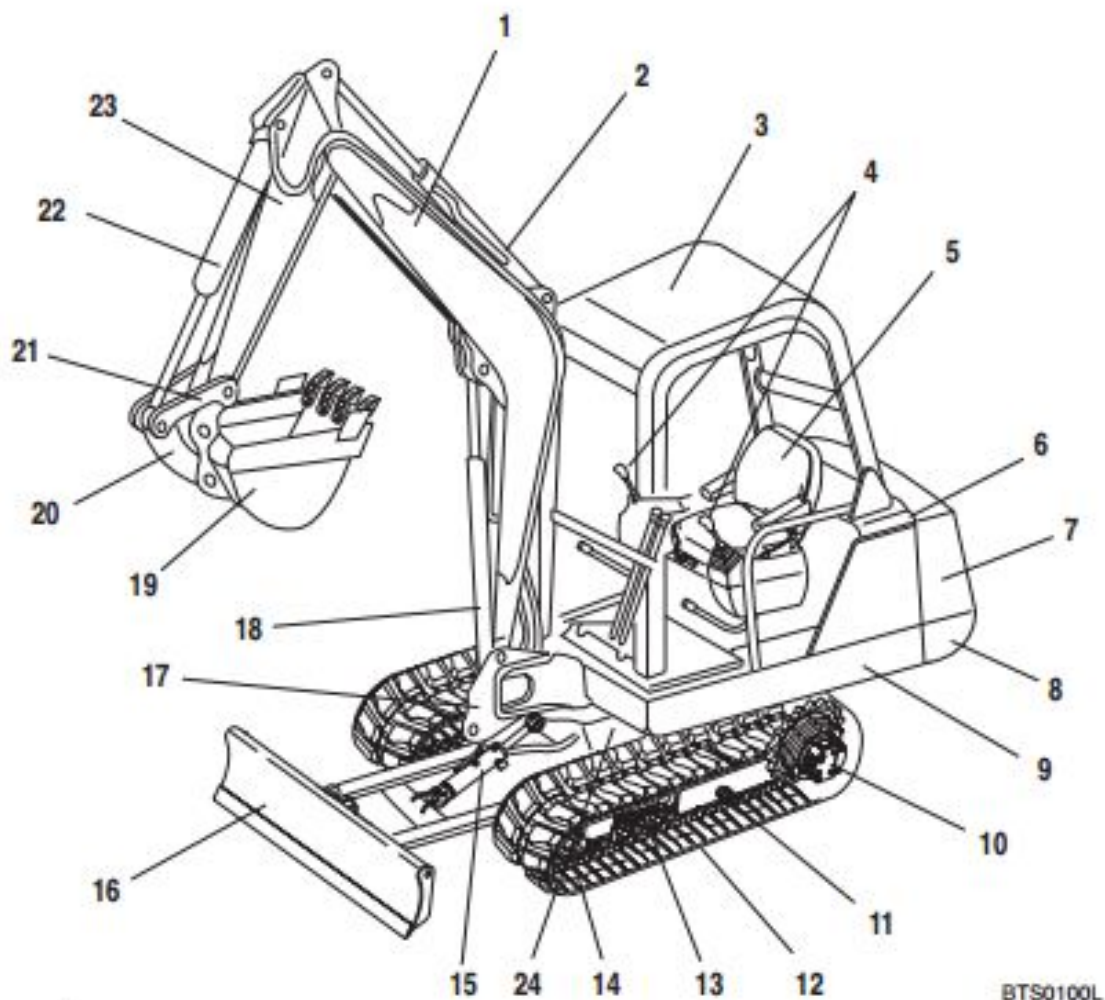
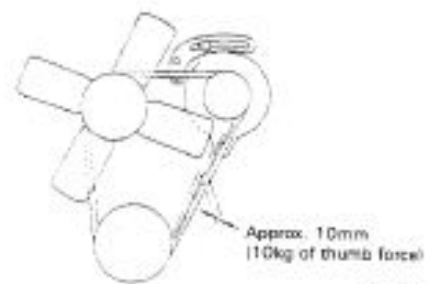


Figure 1

BTS0100L

Adjusting Fan Belt Tension

1. Move alternator so that belt can be deflected about 10 mm (0.39 in) deep when depressed by thumb force (about 10 kg (22 lb) at a point midway between the alternator pulley and crankshaft pulley.



AKS2390S

Figure 19 Adjusting Fan Belt Tension

Bleeding Air From the Fuel System

1. Loosen the air vent screw on the fuel filter.
2. For the engine without fuel pump, in which fuel drops spontaneously and enters fuel filter, wait for fuel to overflow fuel filter. Then, tighten air vent screw.
3. For engine with electromagnetic fuel pump, turn starter switch key to "ON" position to feed fuel to fuel filter. Loosen air vent screw on filter and, after air escapes, tighten air vent screw.
4. Loosen air vent screw on fuel injection pump to let air escape from fuel pipe and fuel injection pump.
5. Air in injection pipes and nozzles is driven out automatically by cranking engine.

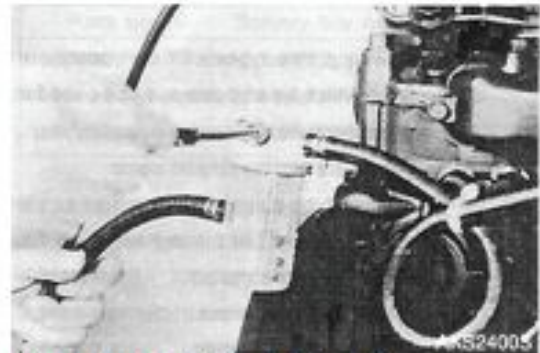


Figure 20 Fuel Filter Air Bleeding

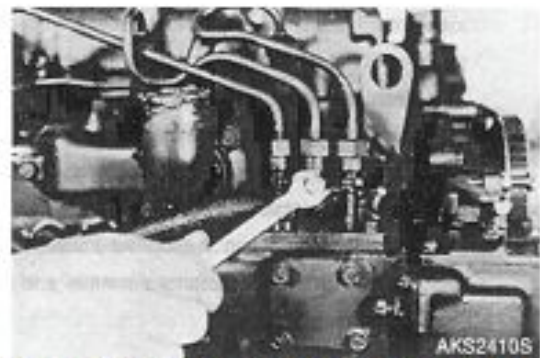


Figure 21 Fuel Injection Pump Air Bleeding

Replacing Fuel Filter

1. Cartridge type.
Replace cartridge type filter as an assembly if accumulation of dust or water in its element is evident. Regular replacement intervals every 400 hours of engine operation. Check filter every 100 hours and, if necessary, replace early.
2. Separate type filter with.
Close filter drain valve, remove ring nut, and take out element from inside of filter. Clean or replace element.



AKS2420S

Figure 22 CARTRIDGE TYPE FILTER



Thank you very much
for your reading.
Please click here
to get more information.