

2012 Doosan DX490LC-3/DX530LC-3 Crawled Excavator Service Repair Workshop Manual





Shop Manual

DX490LC-3/DX530LC-3 Excavator

Serial Number 10001 and Up

DOOSAN and the DOOSAN logo are registered trademarks of DOOSAN Corporation in the United States and various other countries around the world.



950106-00259E

May 2012

EGR Cooler Water Pipe Installation

1. Install the EGR cooler water pipe to the EGR cooler.

NOTE: Refer to the diagram to install the water pipes on the front and rear sides.

Reference Number	Description
1	EGR Cooler Water Pipe

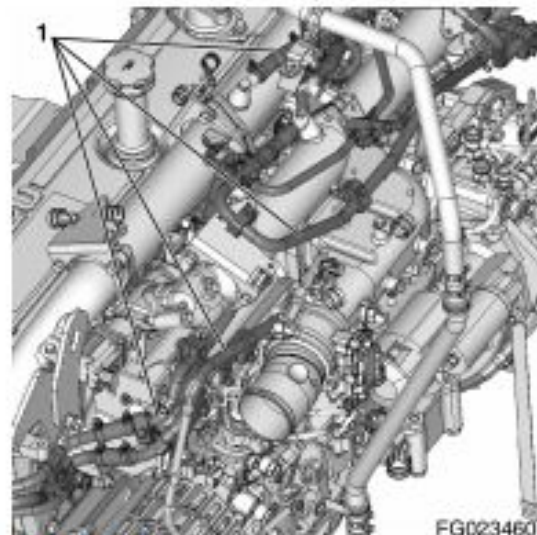


Figure 544

FG023460

2. Install the clip to the EGR cooler water pipe.
 - Tightening torque: 25 Nm (2.5 kg·m / 18 lb ft)

⚠ CAUTION

AVOID INJURY

- Take note of the joint from turning when installing the clip.
- Install the water hose clip horizontally.
- Install the water hose clip in the direction so it can be tightened from the rear side of the engine.

Reference Number	Description
1	Front Side Water Return Pipe
2	Water Hose Clip
3	Water Hose Clip
4	Clip Bolt
5	Rear Side Water Return Pipe

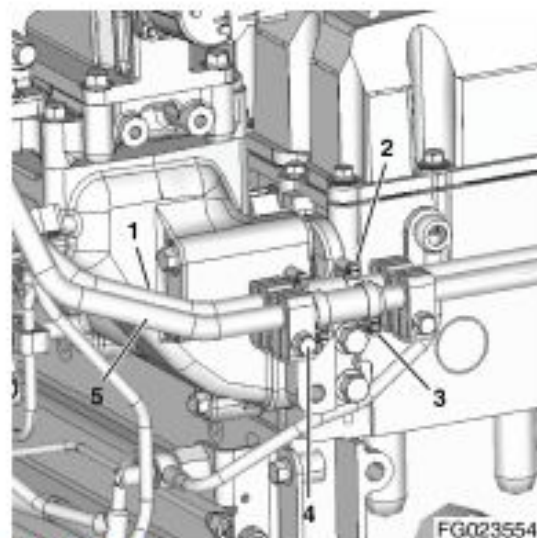


Figure 545

FG023554

! CAUTION

AVOID INJURY

To prevent engine failure, be sure to perform air removal after the installation or removal of fuel system parts.

Reference Number	Description
1	Priming Pump
2	Plug
3	Drain Plug
4	Case
5	Fuel Filter

- Loosen the plug using the wrench.

NOTE: Start with the fuel filter that is nearest to the fuel tank.

! CAUTION

AVOID INJURY

Perform air bleeding on each one from the fuel filter.

- Operate the priming pump.

NOTE: Operate the priming pump of the supply pump.

- Operate the priming pump.

NOTE: Bleed the remaining air by operating the priming pump of the fuel filter.

- Tighten the plug using the wrench.

Reference Number	Description
1	Priming Pump
2	Plug
3	Fuel Filter
4	Drain Plug
5	Priming Pump
6	Fuel Supply Pump

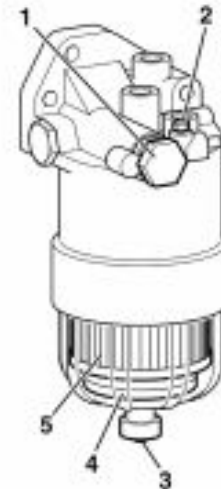


Figure 552

FG023556

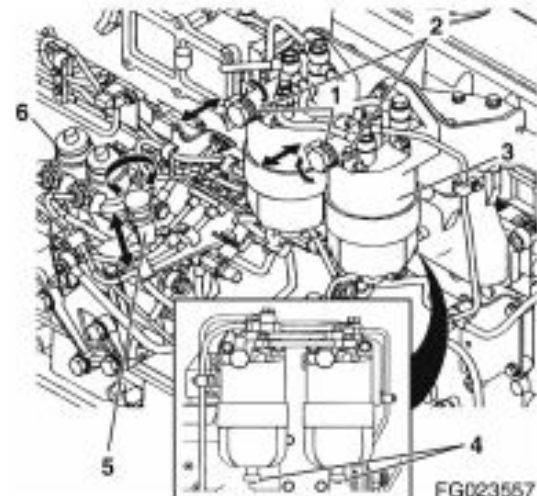


Figure 553

FG023557



Thank you very much
for your reading.
Please click here
to get more information.