

2014 Doosan DX235LCR-5 Crawled Excavator Service Repair Workshop Manual



Solar 290LC-V

Shop Manual

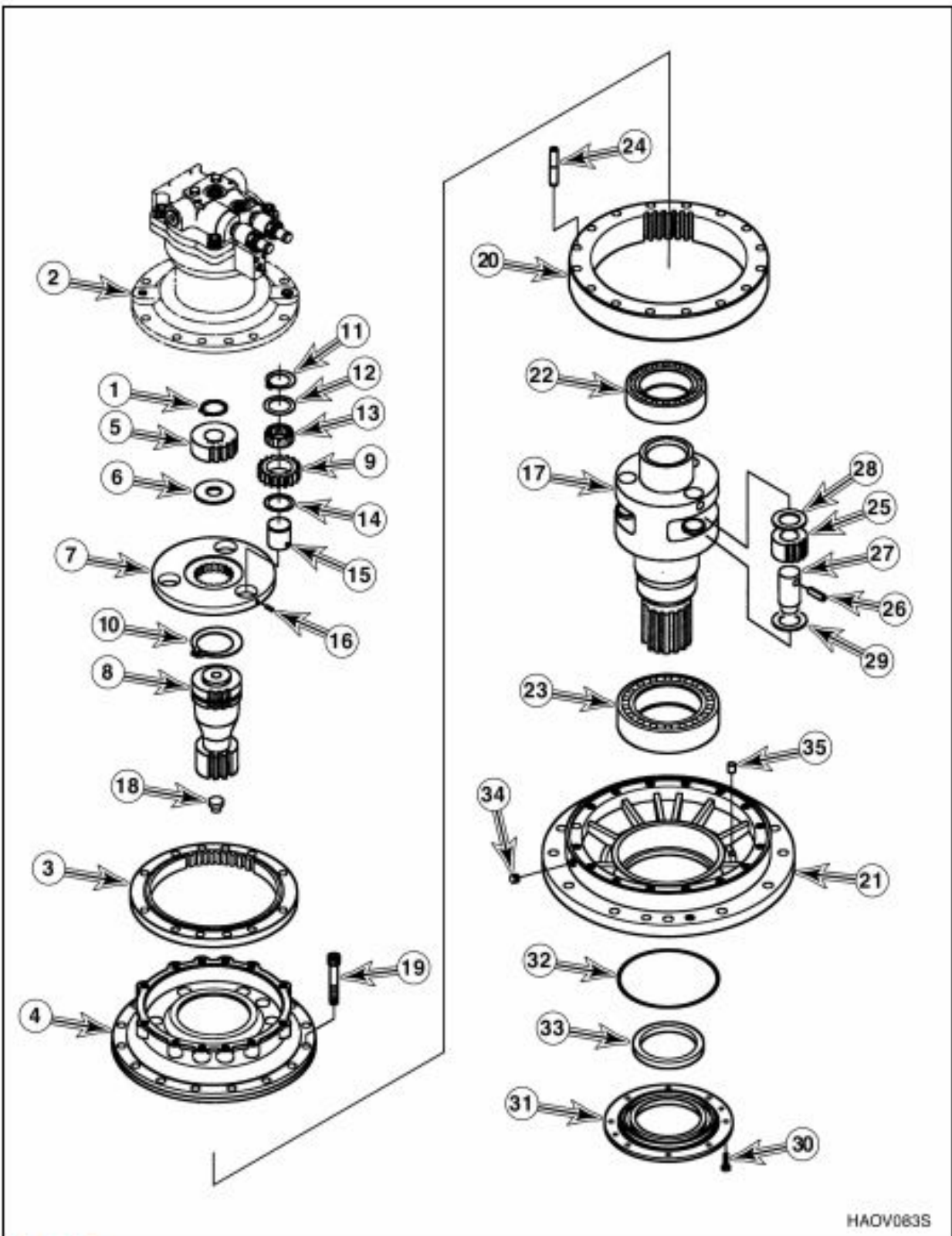
2023-7113AE

Serial Number 0001 and Up

Daewoo reserves the right to improve our products in a continuing process to provide the best possible product to the market place. These improvements can be implemented at any time with no obligation to change materials on previously sold products. It is recommended that consumers periodically contact their distributors for recent documentation on purchased equipment.

This documentation may include attachments and optional equipment that is not available in your machine's package. Please call your distributor for additional items that you may require.

Illustrations used throughout this manual are used only as a representation of the actual piece of equipment, and may vary from the actual item.



HAOV083S

Figure 5

8. Stop ring (1, Figure 5) will remain on swing motor (2) shaft. Remove stop ring only if replacement is necessary.

DRIVE COUPLING

When installing the main pump on the engine, it is very important to properly adjust clearance between the face of the coupling hub and end of pump drive shaft ("Measurement H" shown in the following procedure) to a specific value.

Figure 1 thru Figure 3, show typical drive coupling installations.

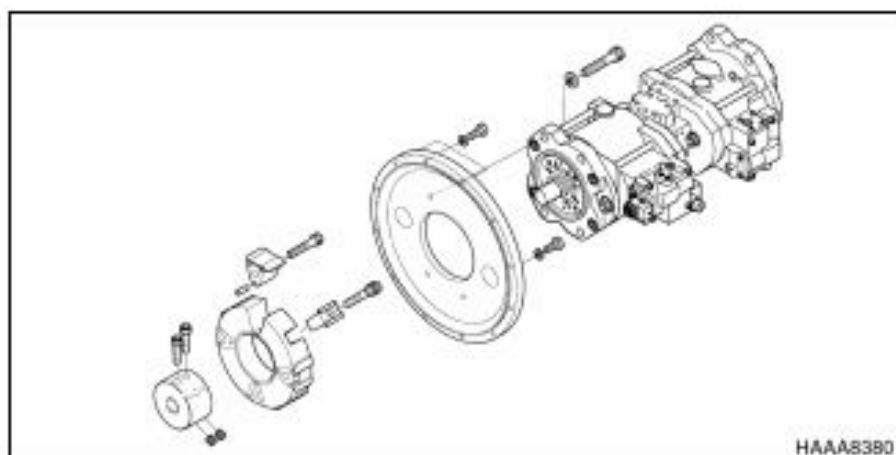


Figure 1 KAWASAKI

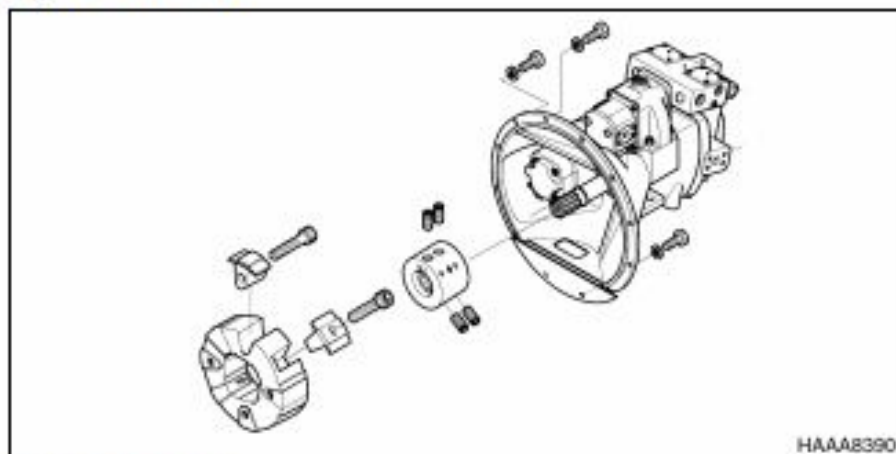


Figure 2 UCHIDA

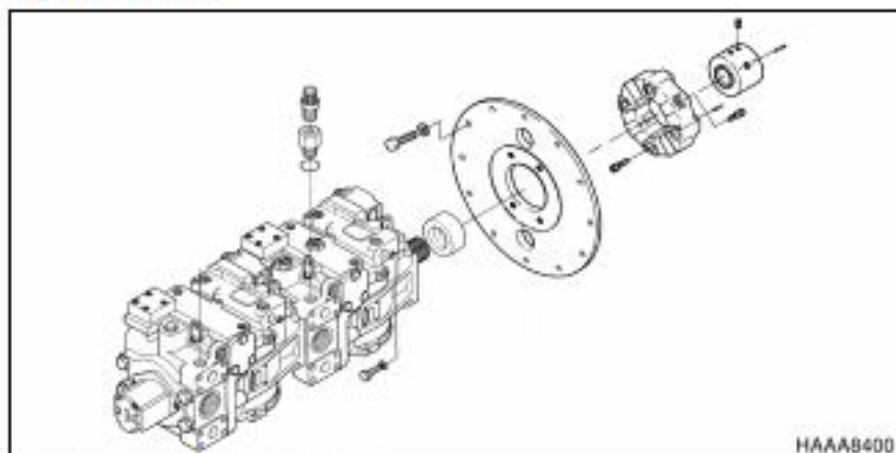


Figure 3 SAUER SUNDSTRAND



Thank you very much
for your reading.
Please click here
to get more information.