

2014 Doosan DX420LC-5 Crawled Excavator Service Repair Workshop Manual



DX27Z

Shop Manual

K1028288E

Serial Number 5001 and Up

DOOSAN reserves the right to improve our products in a continuing process to provide the best possible product to the market place. These improvements can be implemented at any time with no obligation to change materials on previously sold products. It is recommended that consumers periodically contact their distributors for recent documentation on purchased equipment.

This documentation may include attachments and optional equipment that is not available in your machine's package. Please call your distributor for additional items that you may require.

Illustrations used throughout this manual are used only as a representation of the actual piece of equipment, and may vary from the actual item.

COMPONENT LOCATIONS

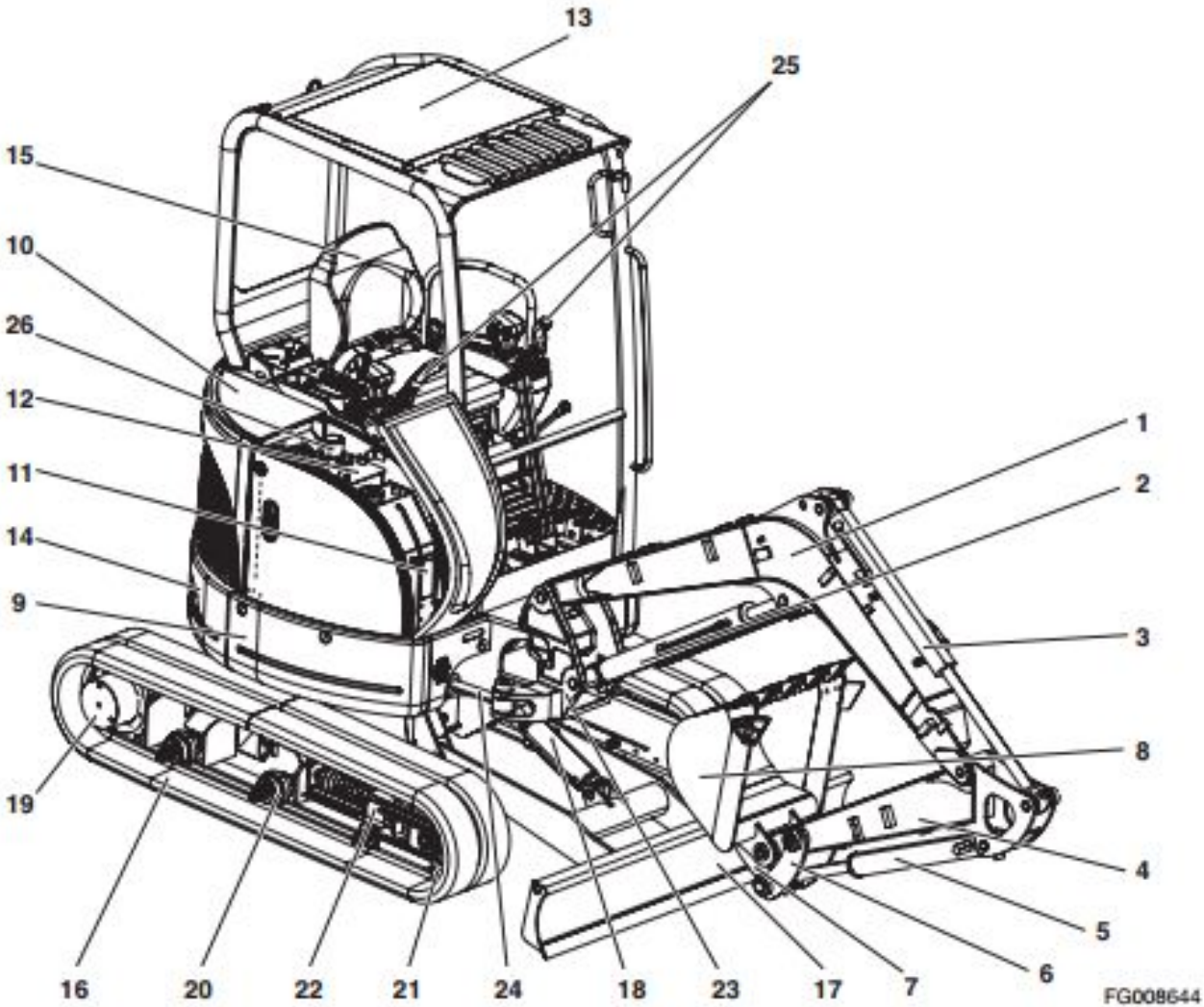


Figure 1

FG008644

6. Take out the O ring (218) and the spring assembly (232) from the body H (201).



Figure 18

7. Take out the cylinder barrel kit.

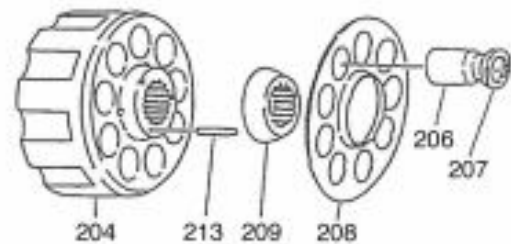
NOTE: *The small parts are easily dispersed, pay attention not to miss.*

The valve plate (205) is sometime attached, pay attention not to drop out.



Figure 19

8. Take out the piston (206) and the shoe (207) assembly, the shoe holder (208), the barrel holder (209) and the pin (213).



FG008738

Figure 20

9. Take out the snap ring (221), the retainer (212) and the spring C (215).



Figure 21



Thank you very much
for your reading.
Please click here
to get more information.