

2014 Doosan DX490LC-5/DX530LC-5 Crawled Excavator Service Repair Workshop Manual





Shop Manual
DX490LC-5/DX530LC-5
Excavator

Serial Number 10001 and Up

DOOSAN and the DOOSAN logo are registered trademarks of DOOSAN Corporation in the United States and various other countries around the world.



950106-01005E

May 2014

Exhaust Manifold

Overview

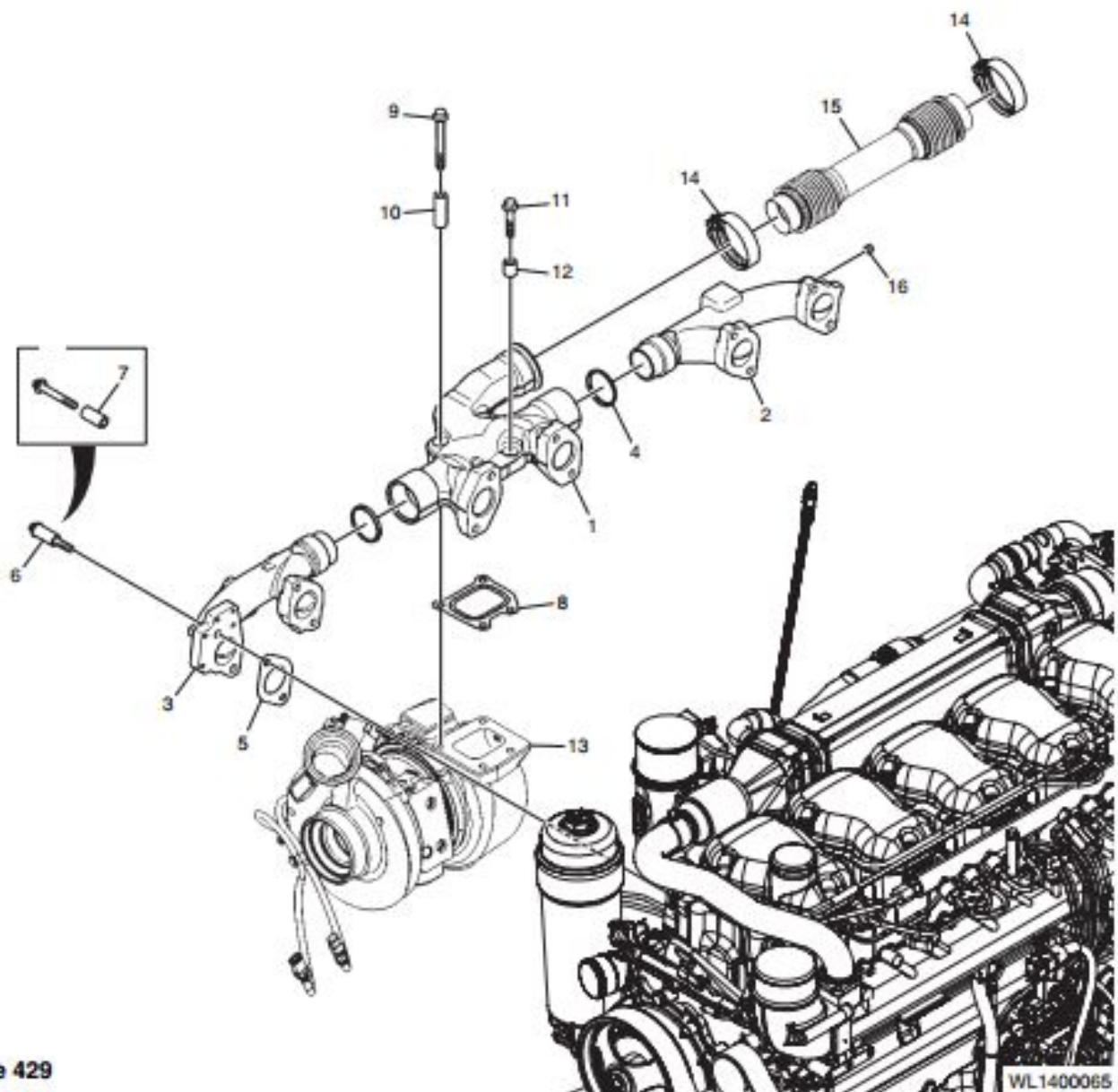


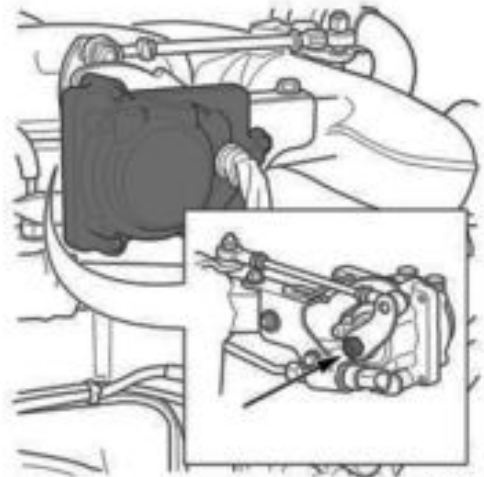
Figure 429

WL1400065

Reference Number	Description
1	Exhaust Manifold
2	Exhaust Manifold
3	Exhaust Manifold
4	Seal Ring
5	Gasket
6	Screw
7	Sleeve
8	Gasket

Reference Number	Description
9	Bolt
10	Sleeve
11	Bolt
12	Sleeve
13	Turbo Charger
14	Clamp
15	Exhaust Elbow
16	Plug, Screw

7. Install the link arm for the actuator with a nut. Lock the nut.

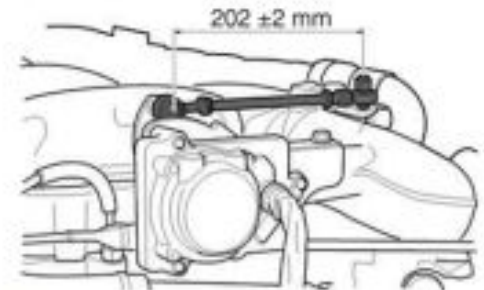


EX1302032

Figure 475

NOTE: *There is a fixed and an adjustable version of the link arm.*

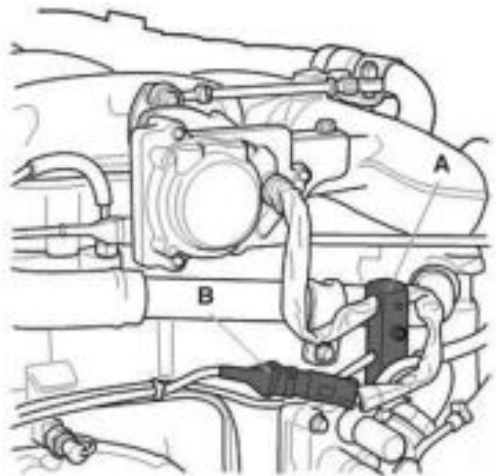
The measurement between the screw holes on the adjustable link arm must be 202 ± 2 mm.



EX1302034

Figure 476

8. Connect the actuator to the cable harness (B).
9. Install the cable bracket (A).
10. Calibrate the actuator using checking tool.
11. Clear any fault codes.
12. Fill with coolant.
Check for leaks.



EX1302031

Figure 477



Thank you very much
for your reading.
Please click here
to get more information.