

2015 Doosan DX235NLC-5 Crawled Excavator Service Repair Workshop Manual



PDF



DOWNLOAD



Solar 300LC-V

Shop Manual

023-00043E

Serial Number 1001 and Up

May 2002

Daewoo reserves the right to improve our products in a continuing process to provide the best possible product to the market place. These improvements can be implemented at any time with no obligation to change materials on previously sold products. It is recommended that consumers periodically contact their distributors for recent documentation on purchased equipment.

This documentation may include attachments and optional equipment that is not available in your machine's package. Please call your distributor for additional items that you may require.

Illustrations used throughout this manual are used only as a representation of the actual piece of equipment, and may vary from the actual item.

10. Lightly tap flange section of swash plate support (251) on the pump casing side. This will separate swash plate support from pump casing.

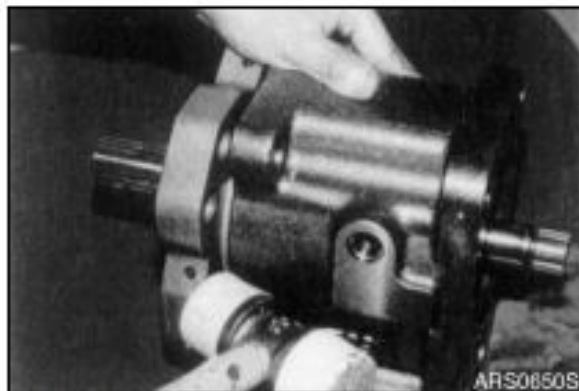


Figure 9

11. Remove shoe plate (211) and swash plate (212) from pump casing (271).



Figure 10

12. Lightly tap ends of drive shafts (111 and 113) with plastic hammer, to remove shafts from swash plate supports.



Figure 11

13. Remove valve plates (314 and 314) from valve block (312).

IMPORTANT

These may be removed in work 6.



Figure 12

FUNCTIONAL EXPLANATIONS

The regulator for Kawasaki in-line axial piston pump K3V Series consists of the following control functions.

1. Negative flow control
2. Total cumulative horsepower control
3. Variable horsepower control

Regulator Function Diagram

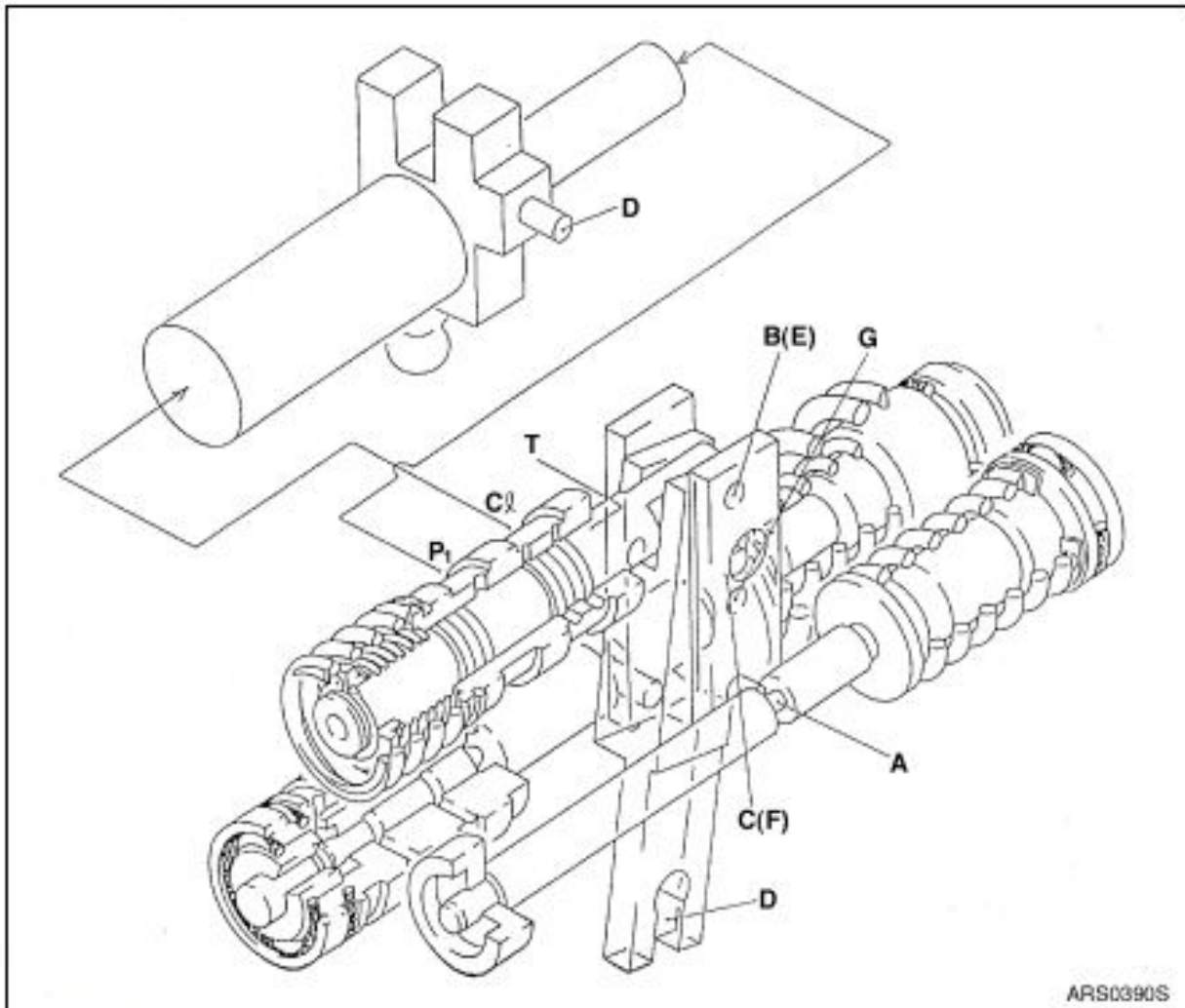


Figure 23



Thank you very much
for your reading.
Please click here
to get more information.