

BMW K1200LT Motorcycle Service Repair Workshop Manual



PDF



DOWNLOAD



Repair Manual



K 1200 LT

BMW AG Motorcycle Division
After Sales

Contents

Group / Chapter

00 Maintenance and general instructions

00.1



11 Motor

11.1



12 Engine electrics

12.1



13 Fuel preparation and control

13.1



16 Fuel tank and lines

16.1



17 Radiator

17.1



18 Exhaust system

18.1



21 Clutch

21.1



23 Gearbox

23.1



31 Front fork

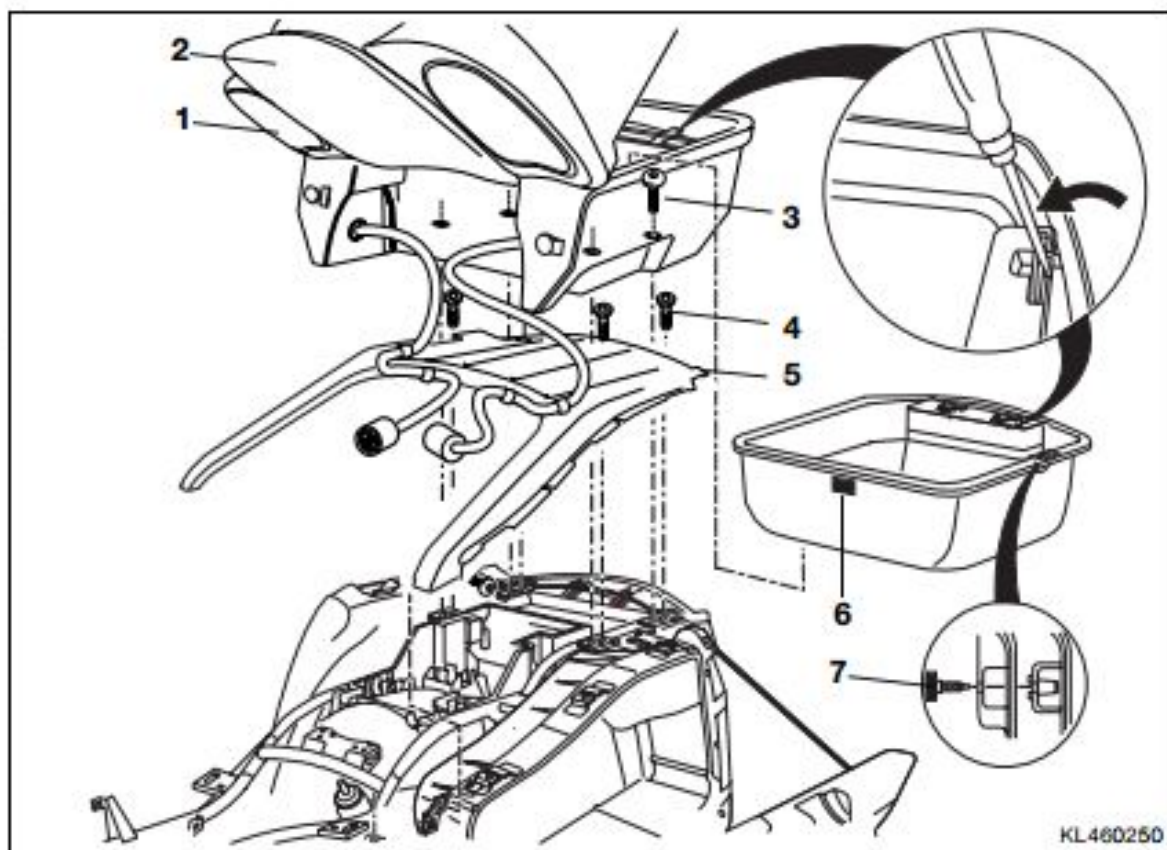
31.1



32 Steering

32.1





KL460250

Installing the top case

- Fit the lock cylinder.
- Raise the seat.
- Remove the rear seat.
- Open the top case.
- Release the knurled screw (7).



Warning:
Support the lid to prevent it falling closed.

- Support the cover (1).
- Detach the control cable from the underside of the case.
- Use a screwdriver to unclip the removable lining from the lock.
- Detach the Velcro strip (6) from the rear panel.
- Remove the lining.
- Use the four fasteners (3) to secure the top case in the required position.



Note:

The backrest can be adjusted by shifting the top case to either the front or rear position. Adjust by swapping the anchorages for cover of rear carrier (5) and top case. Always use the long screws to secure the top case.

Additional instructions for moving the backrest

- Remove four screws (4) for cover of rear carrier (5).
- Move the four screws (4) for the rear carrier cover forwards.
- Use long fasteners to secure the top case in its new position.



Thank you very much
for your reading.
Please click here
to get more information.