

Doosan Solar 340LC-V Crawled Excavator Service Repair Workshop Manual



DX225LCA

Shop Manual

K1049156E

Serial Number 5167 and Up

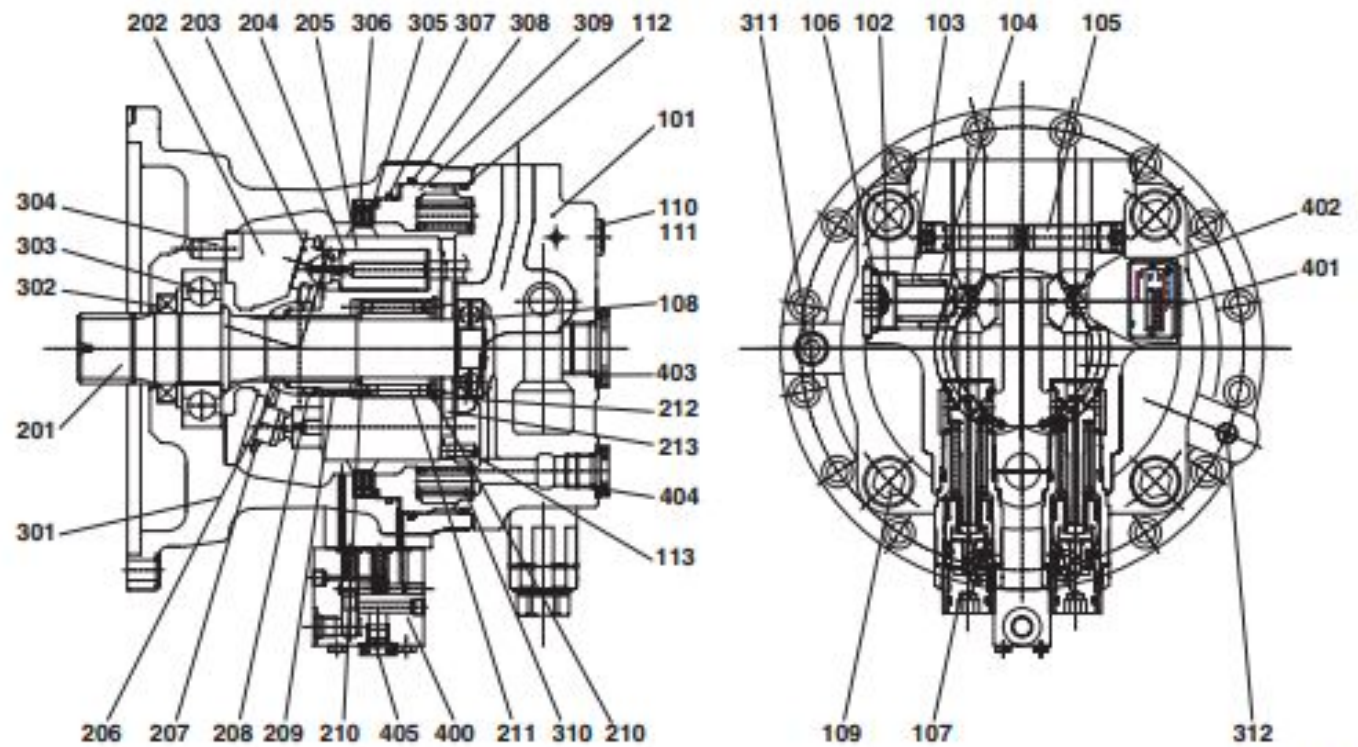
DOOSAN reserves the right to improve our products in a continuing process to provide the best possible product to the market place. These improvements can be implemented at any time with no obligation to change materials on previously sold products. It is recommended that consumers periodically contact their distributors for recent documentation on purchased equipment.

This documentation may include attachments and optional equipment that is not available in your machine's package. Please call your distributor for additional items that you may require.

Illustrations used throughout this manual are used only as a representation of the actual piece of equipment, and may vary from the actual item.

Structure and Operational Principles

Structure



FG001843

Figure 1

10. Use a tool to take out the brake piston (309) from the casing.

To use a hole of bolt, pull it upward straight.



Figure 19

11. Put the motor horizontally and separate the cylinder block (205) from the driving shaft (201). Then, take out piston assemblies (203, 204), the retainer (207), the thrust ball (206), and the collar roller (209). Care should be taken when taking out the cylinder block (205), as it may fall off. Also sliding parts of the cylinder block, the thrust ball, shoes, etc. should not be damaged. [Do not remove the 2 washers (210), the spring (211), and the snap ring (212).]



Figure 20

12. Separate 2 friction plates (306) and 3 separation plates (305) from the casing (301).

(For TSM72 : 4 separation plates and 3 friction plates)



Figure 21

13. Use a plastic hammer to tap the face of the casing shaft to disassemble the driving shaft (201) consisting of the swash plate (202) and the ball bearing (303). Care should be taken not to damage sliding parts of the oil seal when separating the driving shaft from the casing.



Figure 22



Thank you very much
for your reading.
Please click here
to get more information.