

# Doosan Solar 55-V Plus Crawled Excavator Service Repair Workshop Manual



PDF



DOWNLOAD





---

# Shop Manual DX85R-3 Excavator

---

Serial Number 1001 and Up

DOOSAN and the DOOSAN logo are registered trademarks of DOOSAN Corporation in the United States and various other countries around the world.



950106-01030E

April 2013

Remove engine oil filter as follows:

1. Turn the engine oil filter (2, Figure 65) counterclockwise (3, Figure 65) using a filter wrench.
2. Clean the engine oil filter mounting face.
3. Lightly coat the gasket on the new oil filter with engine oil. Install the new engine oil filter manually by turning it clockwise (4, Figure 65) until it contacts the mounting surface. Tighten an additional 3/4 of a turn using the filter wrench.

Engine Oil Filter Part No.	
Standard	Dust Proof*
119005-35151	119005-35151

\*Consult the operation manual for the driven machine for applicability of the dust proof filter.

4. Add new engine oil to the engine as specified in "Engine Oil" on page -55.

## CAUTION

### AVOID INJURY

Never overfill the engine with engine oil.

Always keep the oil level between the upper and lower lines on the oil cap/dipstick.

5. Warm up the engine by running it for five minutes and check for any engine oil leaks.
6. After engine is warm, shut it off and let it sit for 10 minutes.
7. Recheck the engine oil level.
8. Add engine oil (5, Figure 66) as needed until level is between the upper (2, Figure 66) and lower lines (3, Figure 66) shown on the dipstick (1, Figure 66).
9. Install the oil fill cap (4, Figure 66). If any engine oil is spilled, wipe it away with a clean cloth.

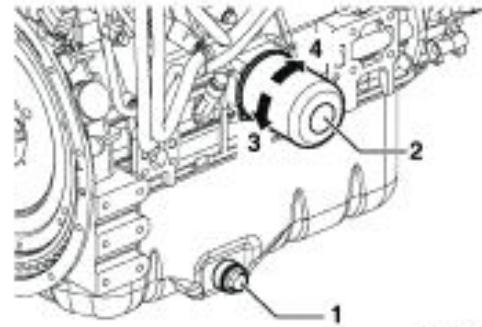


Figure 65

EX1300059

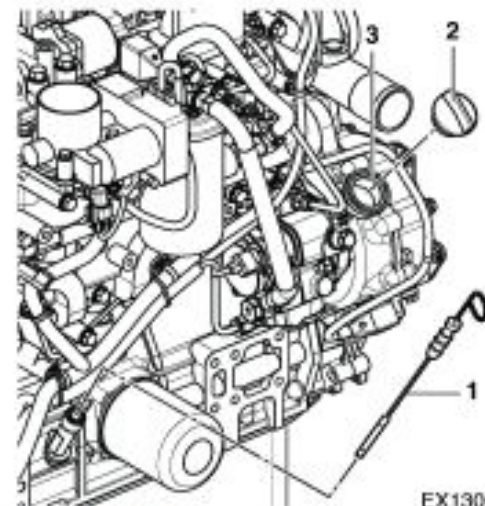


Figure 66

EX1300060

## Removal of Common Rail

1. Remove wiring of the injector coupler on the injector.

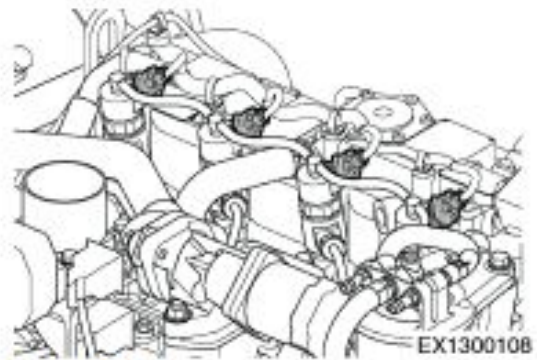


Figure 224

2. Remove wiring coupler of the pressure sensor.

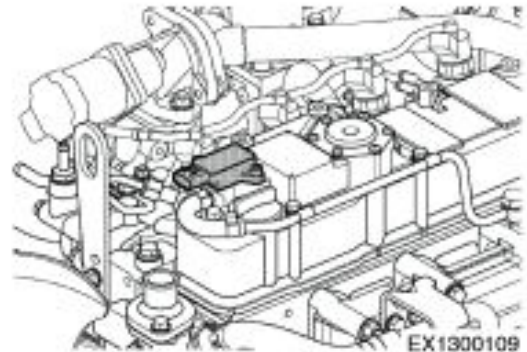


Figure 225

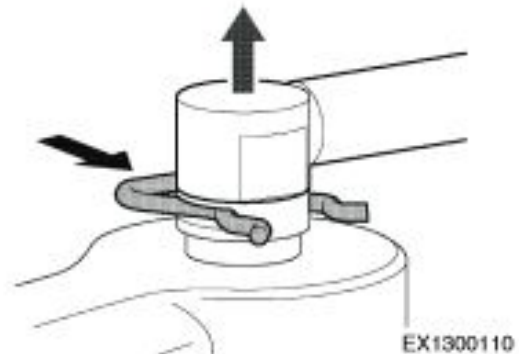


Figure 226

3. Remove leak piping (2, Figure 227) from the pressure limiter (1, Figure 227).

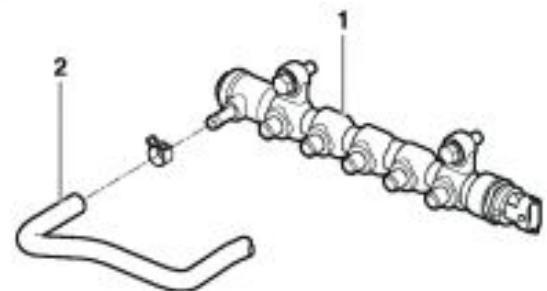


Figure 227



Thank you very much  
for your reading.  
Please click here  
to get more information.