

KOMATSU D55S-3 Bulldozer Service Repair Workshop Manual



KOMATSU

D55S-3

DOZER SHOVEL

SHOP MANUAL

D55S-2008 up

GENERAL

SPECIFICATIONS

GENERAL INSTRUCTIONS

ENGINE

TORQUE CONVERTER

TORQFLOW TRANSMISSION

RANGE TRANSMISSION

BEVEL GEAR & SHAFT

STEERING SYSTEM

FINAL DRIVE

UNDER-CARRIAGE

FUEL TANK

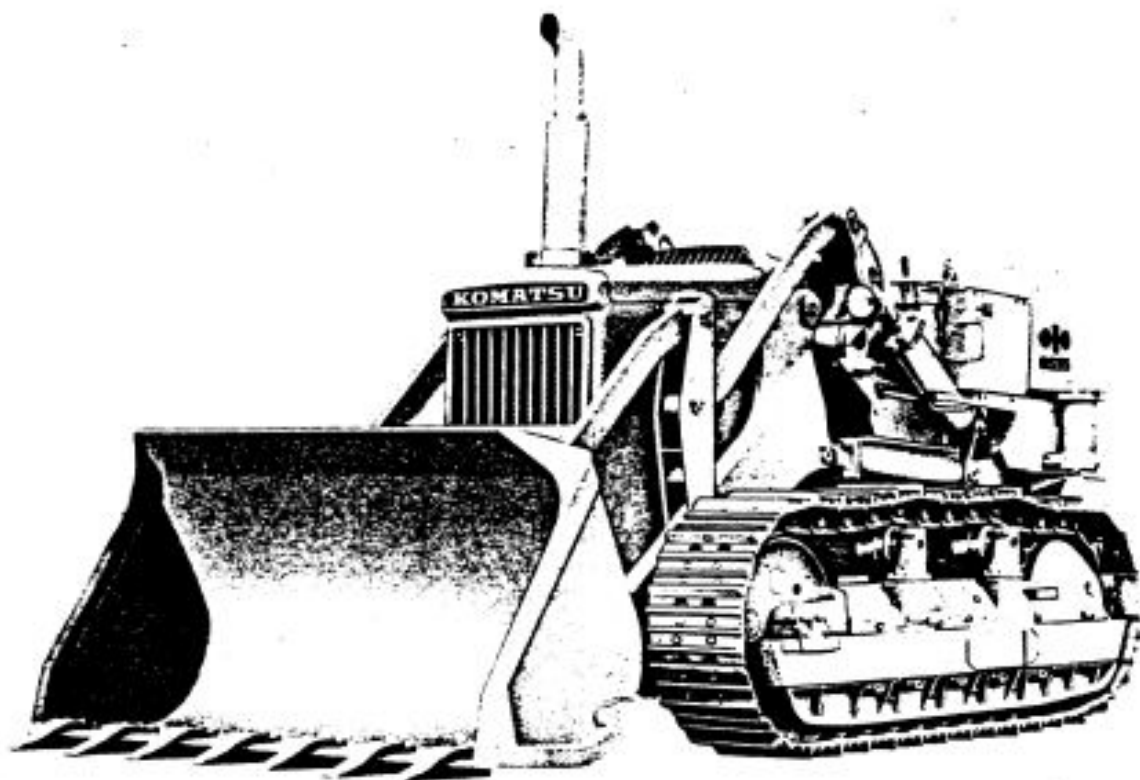
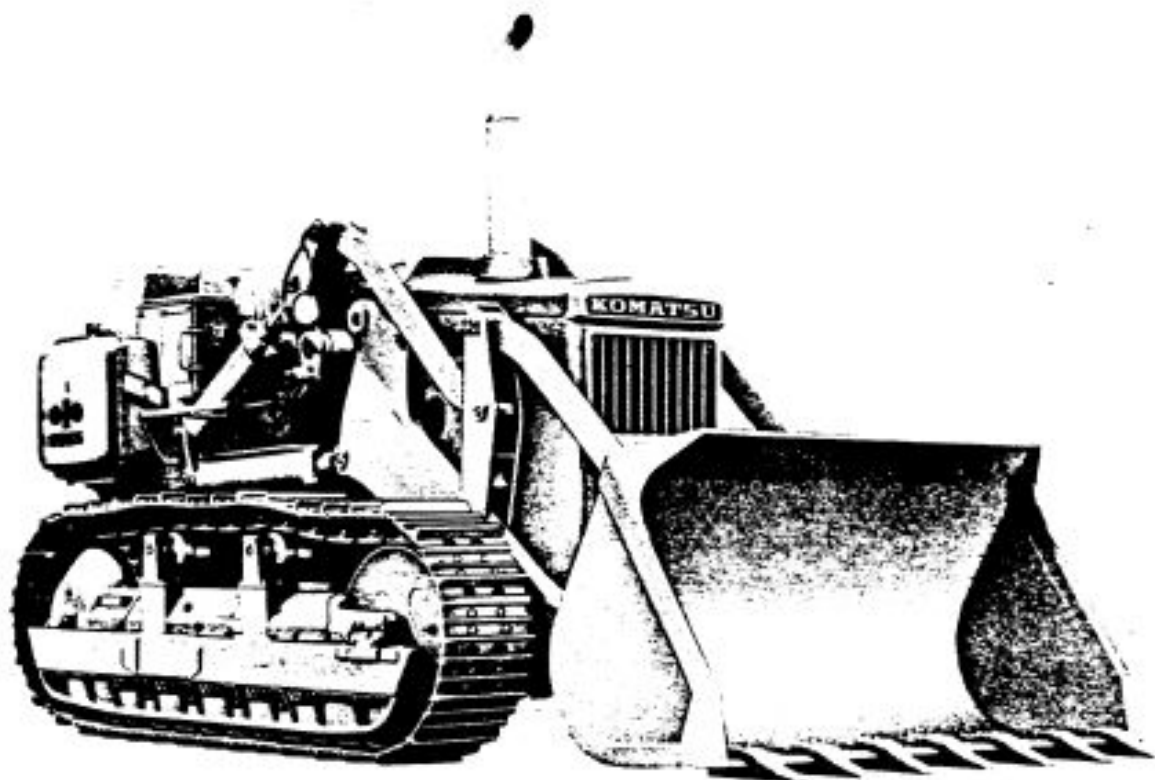
ELECTRICAL EQUIPMENT

DOZER GROUP

HYDRAULIC SYSTEM

SIDE FRAME

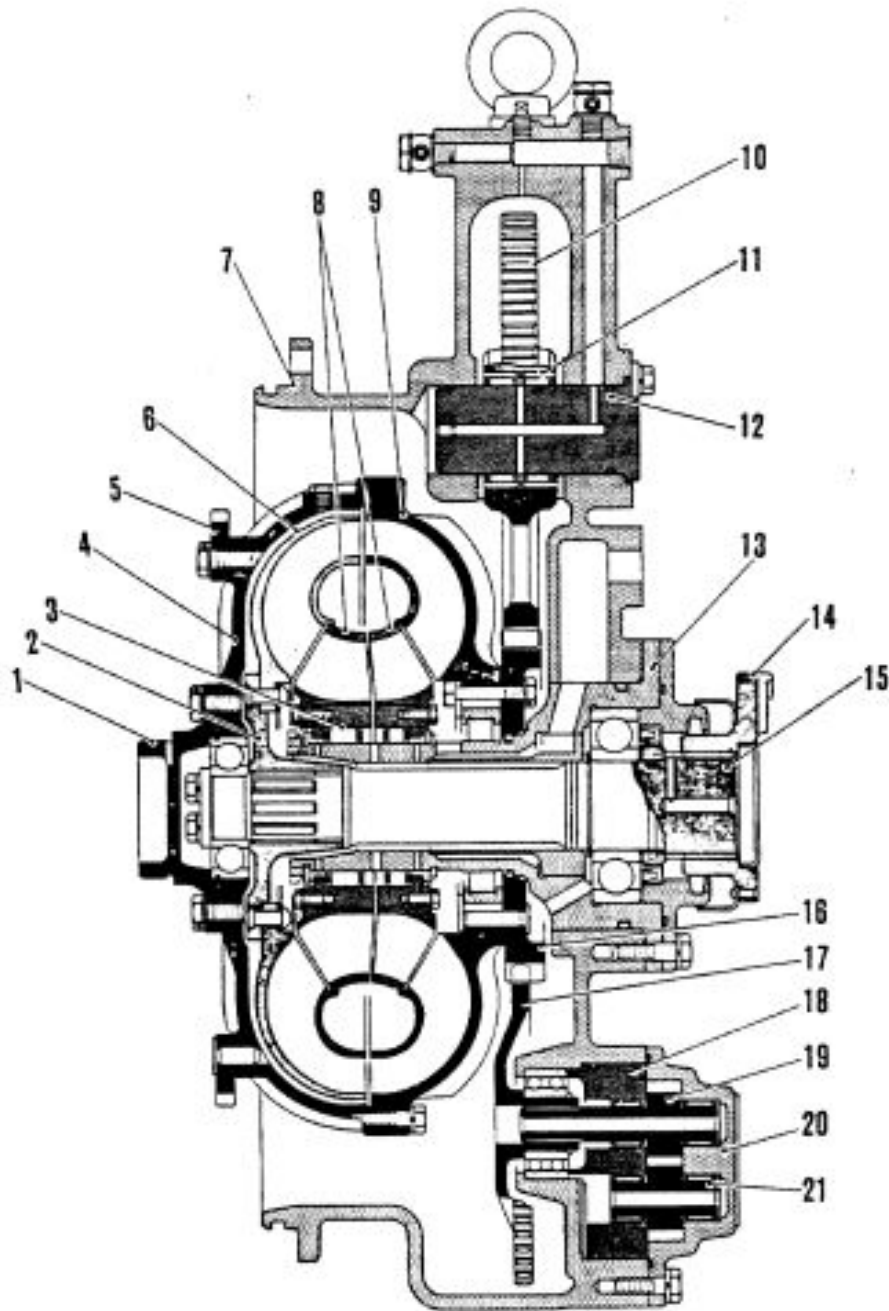
MAINTENANCE STANDARDS



D55S-3 DOZER SHOVEL

TORQUE CONVERTER

DESCRIPTION



Sectional View of Torque Converter

- | | | |
|--------------------------|---------------------------|---------------------------------|
| 1. Pilot | 8. Stator | 15. Turbine shaft |
| 2. Hub | 9. Pump | 16. Main drive gear pump |
| 3. Freewheel | 10. Idler gear | 17. Scavenging pump drive gear |
| 4. Drive case | 11. Needle roller bearing | 18. Pump case cover |
| 5. Drive plate | 12. Idler gear shaft | 19. Scavenging pump drive gear |
| 6. Turbine | 13. Stator shaft | 20. Pump case |
| 7. Torque converter case | 14. Coupling | 21. Scavenging pump driven gear |



Thank you very much
for your reading.
Please click here
to get more information.