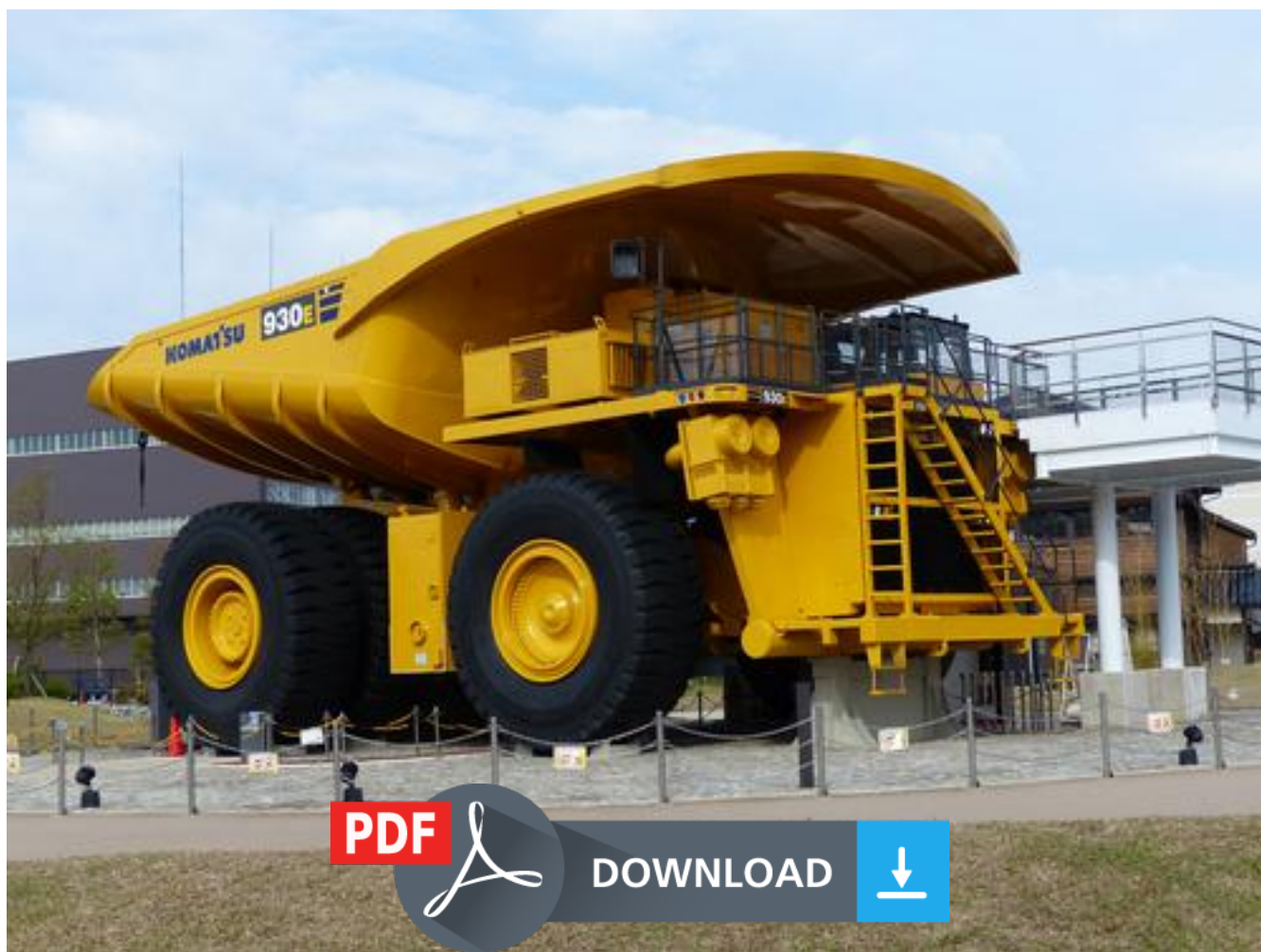


# KOMATSU D65E-12,D65P-12,D65EX-12,D65PX-12 Hydraulic Excavator Service Repair Workshop Manual



# SHOP MANUAL

## **KOMATSU**

# **D65E,P-12 D65EX,PX-12**

MACHINE MODEL

SERIAL NUMBER

**D65E-12**

**60001 and up**

**D65P-12**

**60001 and up**

**D65EX-12**

**60001 and up**

**D65PX-12**

**60001 and up**

- This shop manual may contain attachments and optional equipment that are not available in your area. Please consult your local Komatsu distributor for those items you may require. Materials and specifications are subject to change without notice.
- D65-12 mount the 6D125-1, S6D125-1, 6D125E-2 and S6D125E-2 engine.  
For details of the engine, see the 125 Series and 125-2 Series Engine Shop Manual.

# CONTENTS

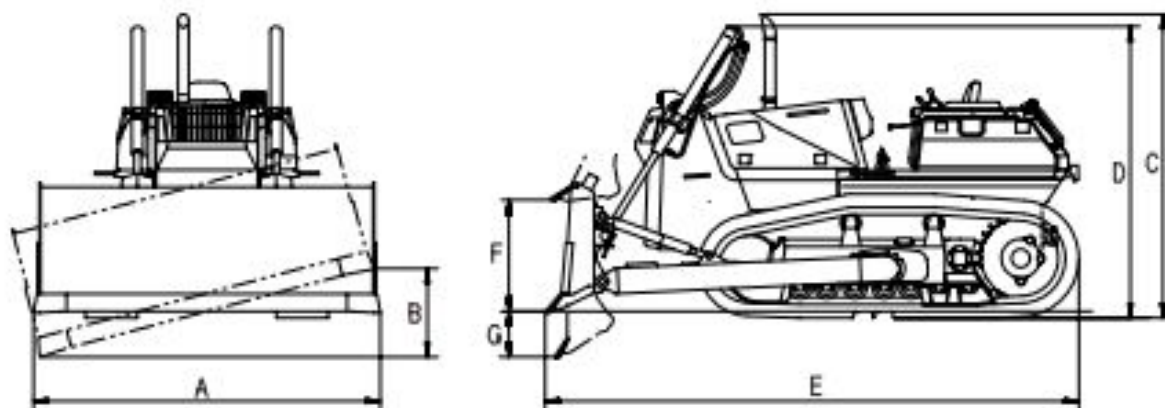
	No. of page
01 GENERAL .....	01-1
10 STRUCTURE AND FUNCTION .....	10-1
20 TESTING AND ADJUSTING .....	20-1
30 DISASSEMBLY AND ASSEMBLY .....	30-1
40 MAINTENANCE STANDARD .....	40-1
90 OTHER .....	90-1

014012

## GENERAL ASSEMBLY DRAWING

D65E-12  
D65EX-12

- Tiltadozer



3X004013

014012

	D65E-12	60001 - 60947	60948 - 65000	65001 -	—
	D65EX-12	60001 - 60941	60942 - 65000	65001 -	65001 -
A	Blade width (mm)	3,415 (3,360)	3,415 (3,460)	3,415 (3,460)	[3,640]
B	Max. tilting distance (mm)	870 (855)	870 (855)	870 (855)	[820]
C	Height of exhaust pipe end (mm)	2,980	2,980	2,990	2,990
D	Height of lift cylinder end (mm)	2,870	2,870	2,875	2,875
E	Overall length (mm)	5,260 (5,390)	5,260 (5,750)	5,260 (5,440)	[5,445]
F	Max. lift above ground (mm)	1,100 (1,095)	1,100 (1,095)	1,105	[1,100]
G	Max. drop below ground (mm)	450	450	440	[445]

Note: The values without ( ) are the values when the tiltadozer or semi-U blade are installed.

The values with ( ) are the values only when the semi-U blade is installed.

The values with [ ] are the values only when the wide gauges spec. semi-U blade is installed.



Thank you very much  
for your reading.  
Please click here  
to get more information.