

KOMATSU PC05-6F Hydraulic Excavator High Reach Demolition Machine Parts Manual




PDF



DOWNLOAD



PARTS BOOK



PC340LCD/ NLCD-7K

HYDRAULIC EXCAVATOR
HIGH REACH DEMOLITION MACHINE
MACHINE SERIAL NUMBER
K40575 and up

CONTENTS

PARTS LIST

ELECTRICAL SYSTEM

E0200-01A0 : TILT CAB MAIN HARNESS (HARNESS, CLIP)	6
E0200-02A0 : TILT CAB MAIN HARNESS (CLIP).....	8
E0200-03A0 : TILT CAB MAIN HARNESS (CLAMP)	10

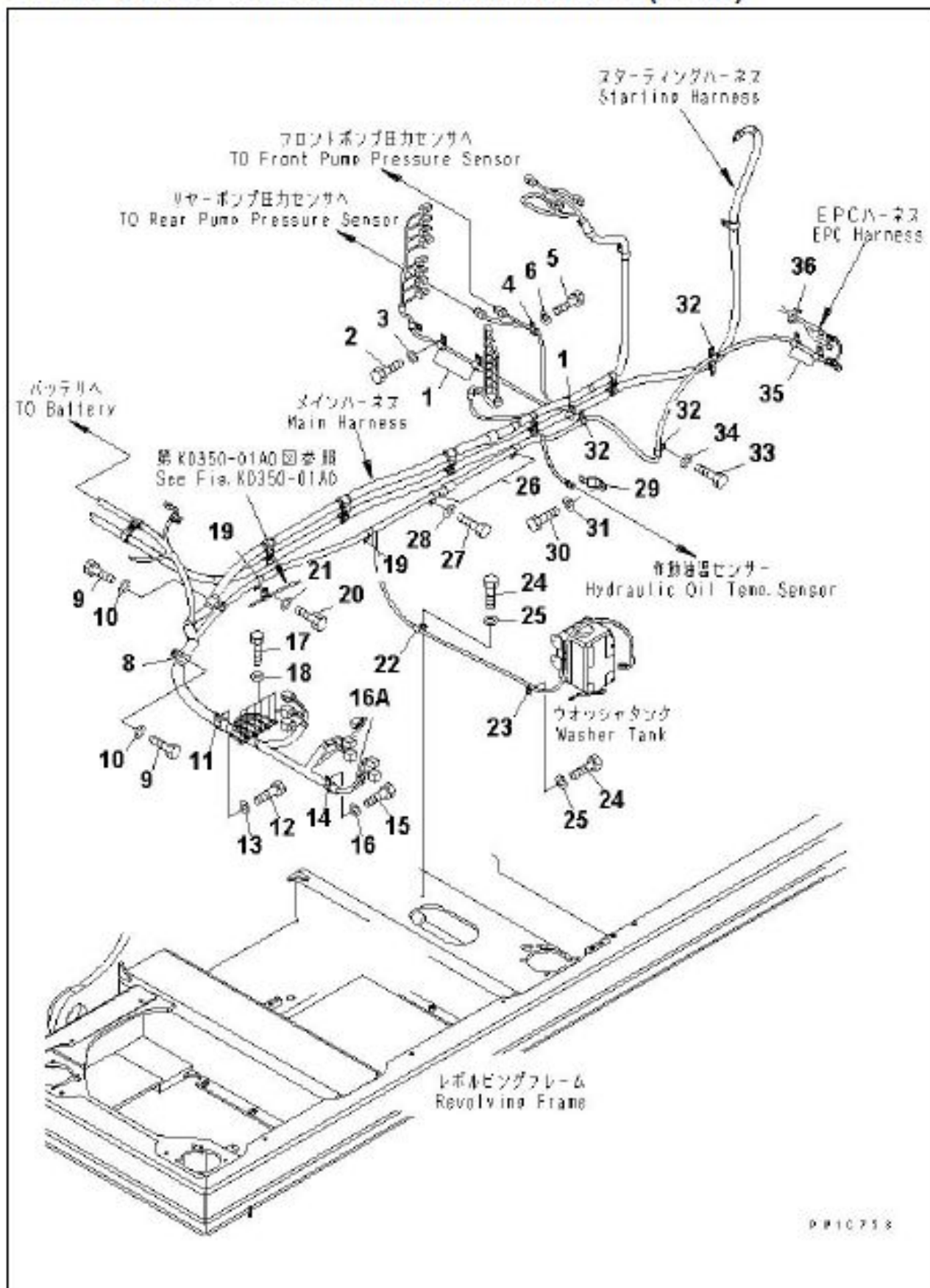
MAIN/REVOLVING FRAME AND RELATED PARTS

J1110-01A0 : REVOLVING FRAME (TILT CAB)	14
J1110-02A0 : TILT FRAME (TILT CYLINDER AND PINS	16
J1110-03A0 : TILT FRAME (LUBRICATION PIPING)	18
J1110-04A0 : TILT FRAME (PIPING)	20
J1110-05A0 : PROXIMITY SWITCH	24

OPERATOR'S COMPARTMENT AND CONTROL SYSTEM

K0210-01A0 : OPERATOR'S CAB (FRONT WINDOW)	28
K0210-02A0 : OPERATOR'S CAB (ROOF WINDOW)	32
K0210-03A0 : OPERATOR'S CAB (DOOR LOCK)	34
K0210-04A0 : OPERATOR'S CAB (OPEN LOCK)	36
K0210-05A0 : OPERATOR'S CAB (ACCESSORIES)	38
K0210-06A0 : OPERATOR'S CAB (BLIND BOLT)	40
K0210-07A0 : OPERATOR'S CAB (ROOF WIPER)	42
K0210-08A0 : OPERATOR'S CAB (ROOF WIPER HOSE).....	44
K0210-09A0 : OPERATOR'S CAB (CONTROL PANEL)	46
K0220-01A0 : OPG GUARD.....	48
K0350-01A0 : WINDOW WASHER TANK G.	50
K1110-01A0 : FLOOR (FLOOR FRAME)(TILT CAB)	52

E0200-02A0 : TILT CAB MAIN HARNESS (CLIP)



P R I C 7 5 8



Thank you very much
for your reading.
Please click here
to get more information.