

KOMATSU PC650-5,PC710-5 Hydraulic Excavator Service Repair Workshop Manual



SHOP MANUAL

KOMATSU **PC650-5** **PC710-5**

MACHINE MODEL	SERIAL NUMBER
PC650-5	20001 and up
PC650SE-5	20001 and up
PC650LC-5	20001 and up
PC710-5	10001 and up
PC710SE-5	10001 and up

- This shop manual may contain attachments and optional equipment that are not available in your area. Please consult your local Komatsu distributor for those items you may require. Materials and specifications are subject to change without notice.
- PC650-5 and PC710-5 mount the SA6D140-1 engine.
For details of the engine, see the 140 Series Engine Shop Manual.

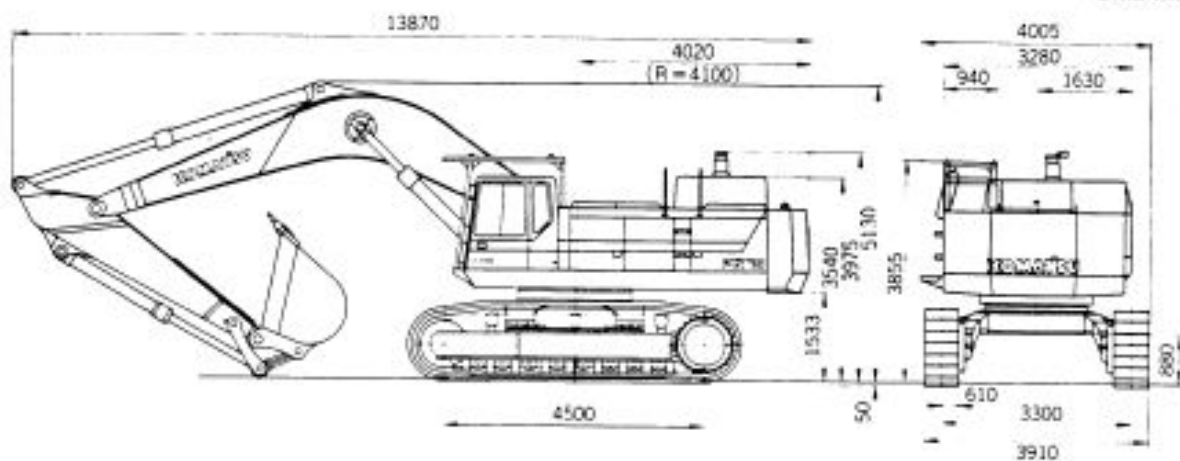
CONTENTS

01	GENERAL	01-1
10	STRUCTURE AND FUNCTION	10-1
20	TESTING AND ADJUSTING	20-1
30	DISASSEMBLY AND ASSEMBLY	30-1
40	MAINTENANCE STANDARD	40-1

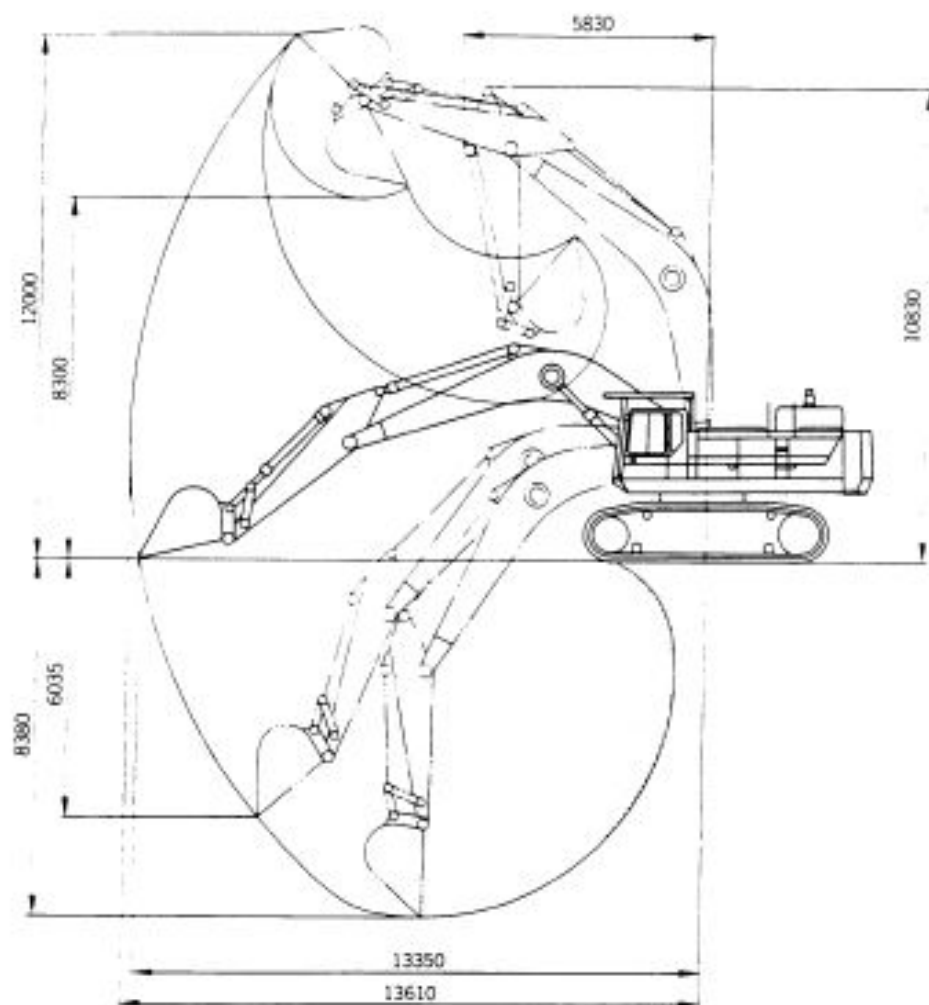
020905

PC710-5

Unit: mm



209F05006



209F05007

020905



Thank you very much
for your reading.
Please click here
to get more information.