

KOMATSU PW170ES-6K Wheeled Excavator Service Repair Workshop Manual



SHOP MANUAL

KOMATSU

PW170ES-6K

MACHINE MODEL

PW170ES-6K

SERIAL NUMBER

**K32001 and up
K34001 and up**

- This shop manual may contain attachments and optional equipment that are not available in your area. Please consult your local Komatsu distributor for those items you may require. Materials and specifications are subject to change without notice.


CONTENTS

	No. of page
01 GENERAL	01-1
10 STRUCTURE AND FUNCTION	10-1
20 TESTING AND ADJUSTING	20-1
30 DISASSEMBLY AND ASSEMBLY	30-1
40 MAINTENANCE STANDARD	40-1

REMOVAL OF CENTER SWIVEL JOINT ASSEMBLY

⚠ Lower the work equipment completely to the ground and stop the engine. Then loosen the oil filter cap slowly to release the pressure inside the hydraulic tank.

* Mark all the piping with tags to prevent mistakes in the mounting position when installing.

1. Disconnect blocks (1) and (2) between travel motor swivel joint.
2. Disconnect pilot hoses (3), (4) and (5) and brake pipes (6) and (7).
3. Disconnect drain and steering hoses (8) (9) (10) (11) (12) (13) (14)
4. Disconnect hoses (15) (16) (17) & (18) between control valve and swivel joint.
5. Disconnect steering hoses (19) and (20) and drain hose (21).
6. Disconnect brake hoses (22) (23) and (24).
7. Disconnect travel speed selector hose (25) and suspension lock hose (26).
8. Remove center swivel joint assembly (27). 



Center swivel joint assembly: 83 kg

INSTALLATION OF CENTER SWIVEL JOINT ASSEMBLY

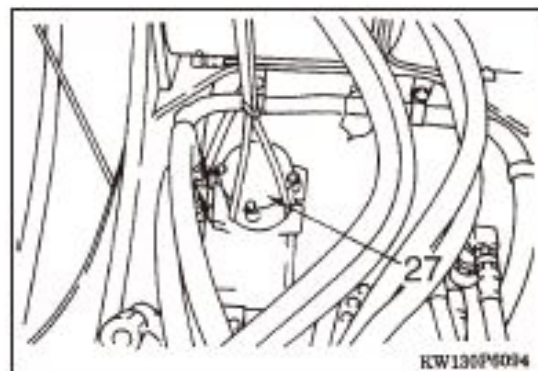
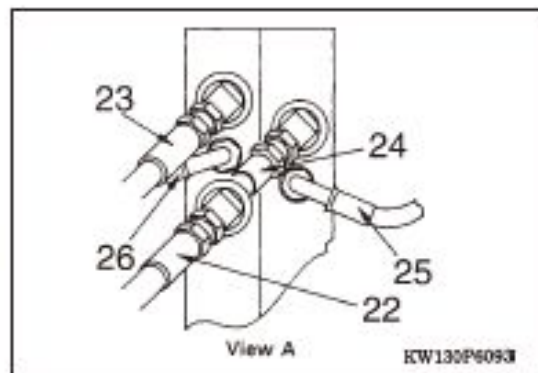
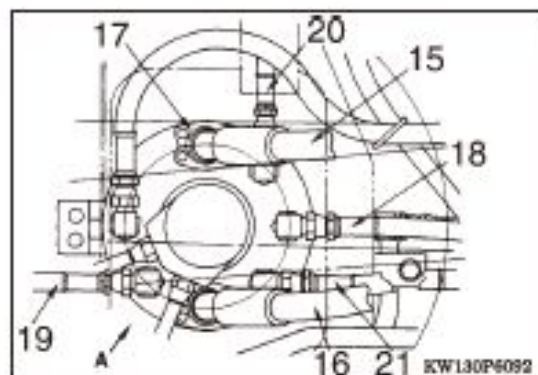
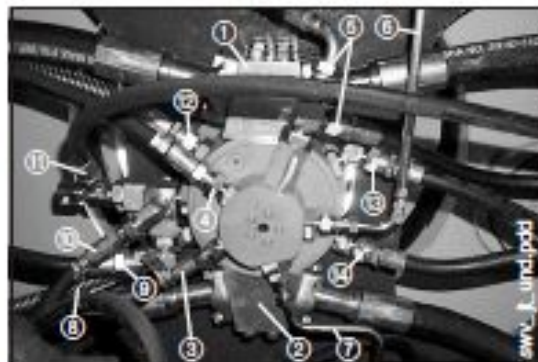
• Carry out installation in the reverse order to removal.



Tread of swivel joint mounting bolt:
Tread tightener (LT-2)

 Swivel joint mounting bolt:
277±32 Nm (28.25±3.25 kgm)

- Refilling with oil (hydraulic tank)
 - * Add oil through the oil filter to the specified level. Run the engine to circulate the oil through the system. Then check the oil level again.
- Bleeding air
 - * Bleed the air from the travel motor. For details, see TESTING AND ADJUSTING, Bleeding air.





Thank you very much
for your reading.
Please click here
to get more information.