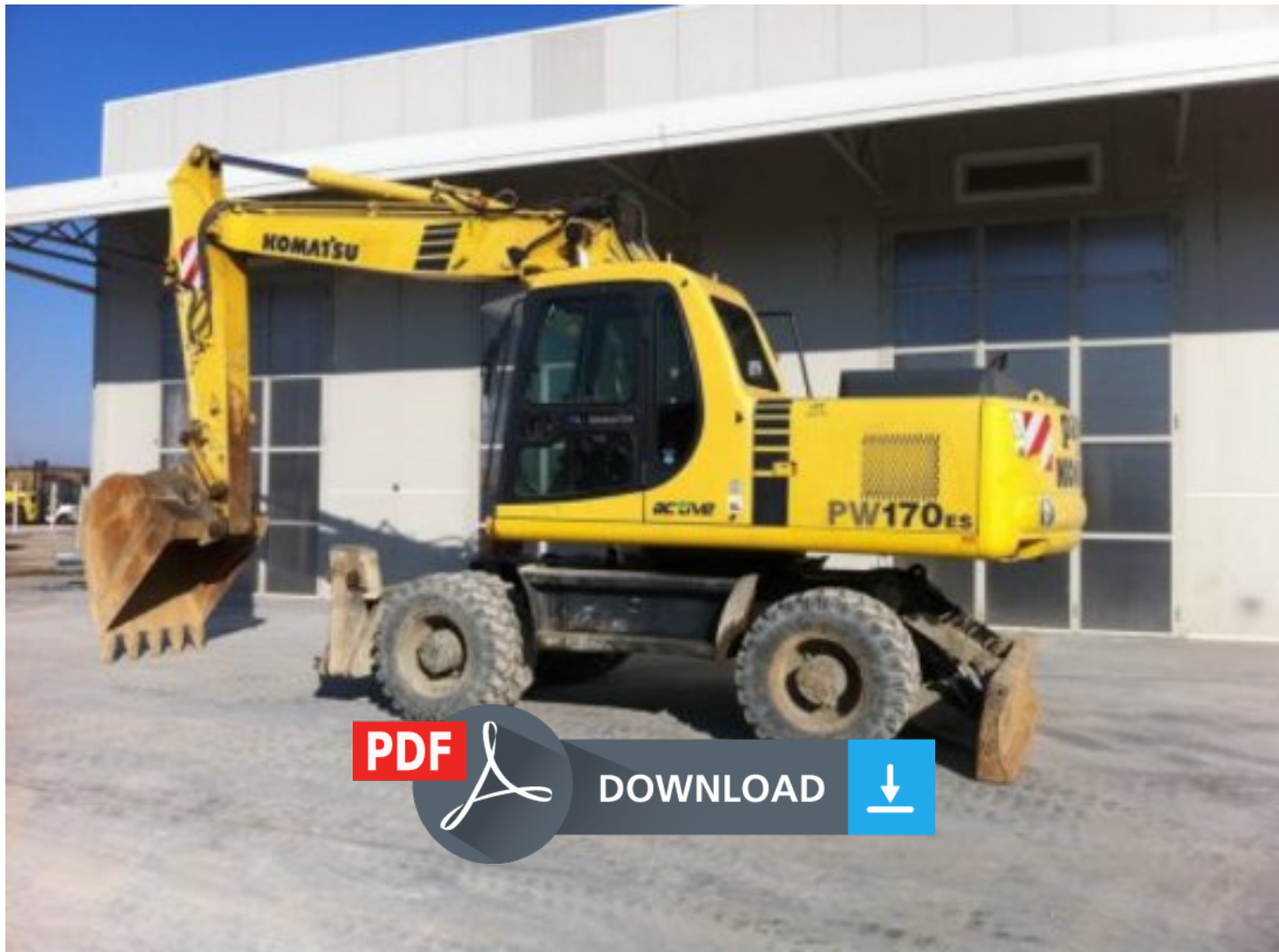


KOMATSU PW170ES-6K Wheeled Excavators Service Repair Workshop Manual[UEBM000801]



SHOP MANUAL

KOMATSU

PW170ES-6K

MACHINE MODEL

SERIAL NUMBER

PW170ES-6K

**K32001 and up
K34001 and up**

- This shop manual may contain attachments and optional equipment that are not available in your area. Please consult your local Komatsu distributor for those items you may require. Materials and specifications are subject to change without notice.

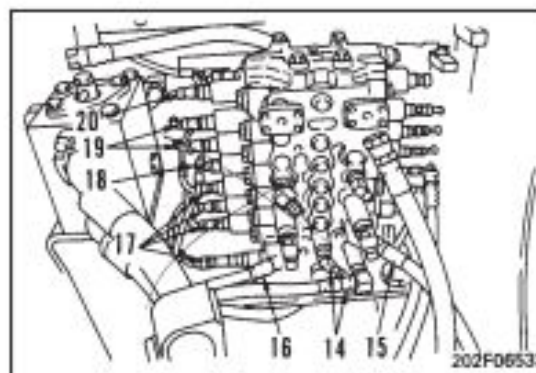
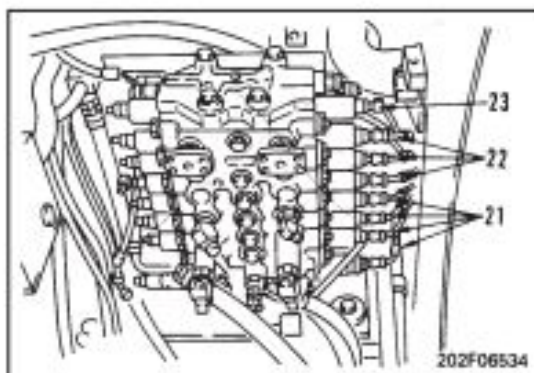
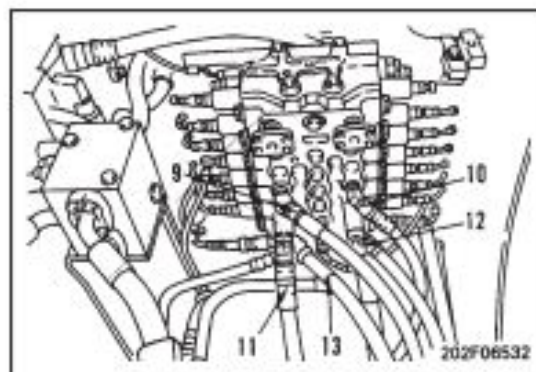
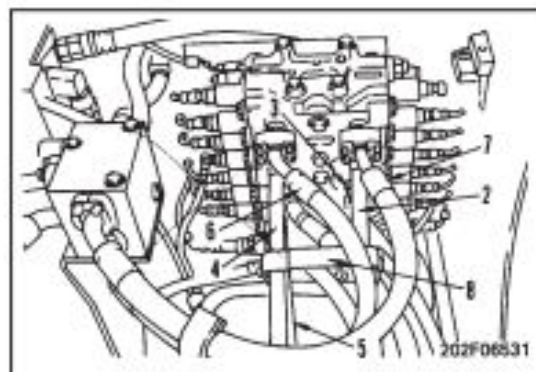
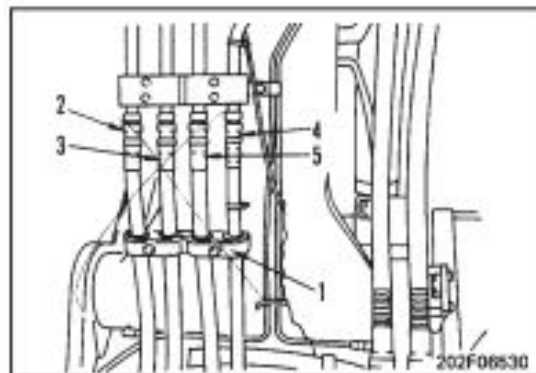
CONTENTS

	No. of page
01 GENERAL	01-1
10 STRUCTURE AND FUNCTION	10-1
20 TESTING AND ADJUSTING	20-1
30 DISASSEMBLY AND ASSEMBLY	30-1
40 MAINTENANCE STANDARD	40-1

REMOVAL OF CONTROL VALVE ASSEMBLY

⚠ Release the remaining pressure in the hydraulic circuit.
For details, see TESTING AND ADJUSTING, Releasing pressure in hydraulic circuit.

1. Remove engine room partition plate and chassis bodywork cover above control valve assembly.
2. Remove clamp (1), then disconnect hoses (2), (3), (4), and (5).
3. Disconnect hoses (6) and (7).
4. Remove clamp (8), then remove hoses (2), (3), (4), and (5).
5. Disconnect hoses (9), (10), (11), (12), and (13).
6. Disconnect hoses (14), (15), and (16).
7. Disconnect hoses (17), (18), (19), and (20).
★ Disconnect 2 hoses (18).
8. Disconnect hoses (21), (22), and (23).





Thank you very much
for your reading.
Please click here
to get more information.