

KOMATSU PW60-3 Wheeled Excavators Service Repair Workshop Manual[SEBM020B0303]



SHOP MANUAL

KOMATSU

PW60-3


MACHINE MODEL	SERIAL No.
PW60-3	2001 and up


CONTENTS

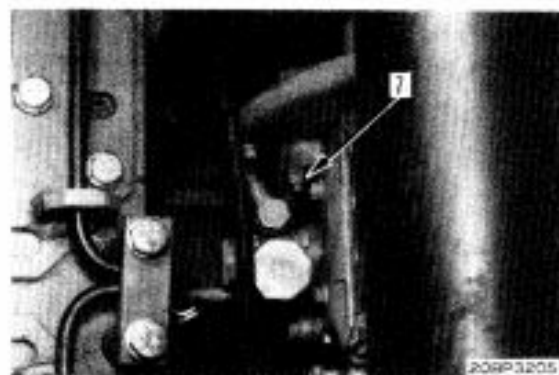
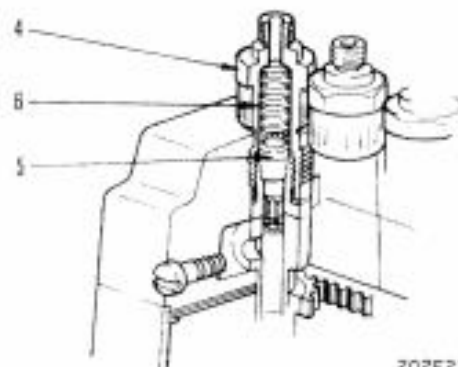
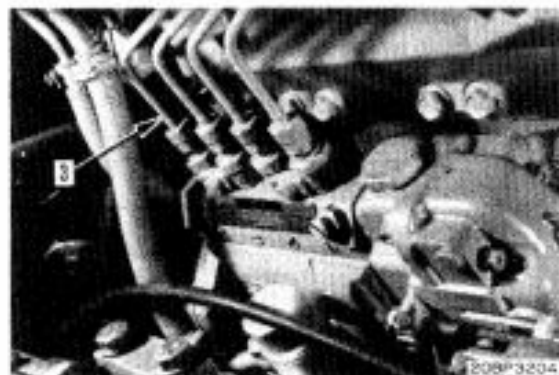
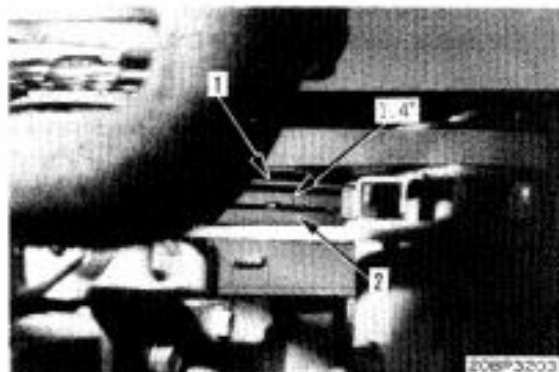
	No. of page
10 ENGINE	
11 STRUCTURE AND FUNCTION	11-1
12 TESTING AND ADJUSTING	12-1
13 DISASSEMBLY AND ASSEMBLY	13-1
20 POWER TRAIN	
21 STRUCTURE AND FUNCTION	21-1
22 TESTING AND ADJUSTING	22-1
23 DISASSEMBLY AND ASSEMBLY	23-1
24 MAINTENANCE STANDARD	24-1
40 STEERING AND BRAKE SYSTEM	
41 STRUCTURE AND FUNCTION	41-1
42 TESTING AND ADJUSTING	42-1
43 DISASSEMBLY AND ASSEMBLY	43-1
44 MAINTENANCE STANDARD	44-1
60 HYDRAULIC SYSTEM	
61 STRUCTURE AND FUNCTION	61-1
62 TESTING AND ADJUSTING	62-1
63 DISASSEMBLY AND ASSEMBLY	63-1
64 MAINTENANCE STANDARD	64-1
70 WORK EQUIPMENT	
71 STRUCTURE AND FUNCTION	71-1
73 DISASSEMBLY AND ASSEMBLY	73-1
74 MAINTENANCE STANDARD	74-1
80 ELECTRICAL SYSTEM	
81 STRUCTURE AND FUNCTION	81-1
82 TESTING AND ADJUSTING	82-1

ADJUSTING FUEL INJECTION TIMING

1. Align the "1.4" injection timing stamp line on crankshaft pulley (1) with pointer (2) by slowly rotating the crankshaft in the normal direction.
2. Disconnect fuel injection pipe (3) for the No. 1 cylinder.
3. Remove delivery valve holder (4), remove delivery valve (5) and spring (6) from delivery valve holder, and reassemble delivery valve holder (4).
4. Place the fuel control lever in HIGH IDLING position.
5. Loosen nuts (7) on injection pump mounting flange slot.
6. Turn injection pump outward, operating priming pump, slowly turn injection pump to cylinder block end, stop injection pump in the position where fuel flow out from delivery valve holder stops.
 - ★ If fuel flow out does not stop when turn injection pump either directions, rotate crankshaft one more turn.
 - ★ If turn injection pump outward, injection timing is retard.
 - ★ If turn injection pump cylinder block end, injection timing is advanced.
7. Tighten nuts (7) on injection pump mounting flange slot.
8. Remove delivery valve holder (4), assemble delivery valve (5) and spring (6), install delivery valve holder (4) again.

 Delivery valve holder: 3.3 ± 0.2 kgm
9. Connect fuel injection pipe (3).

 Sleeve nut: 2.3 ± 0.2 kgm





Thank you very much
for your reading.
Please click here
to get more information.