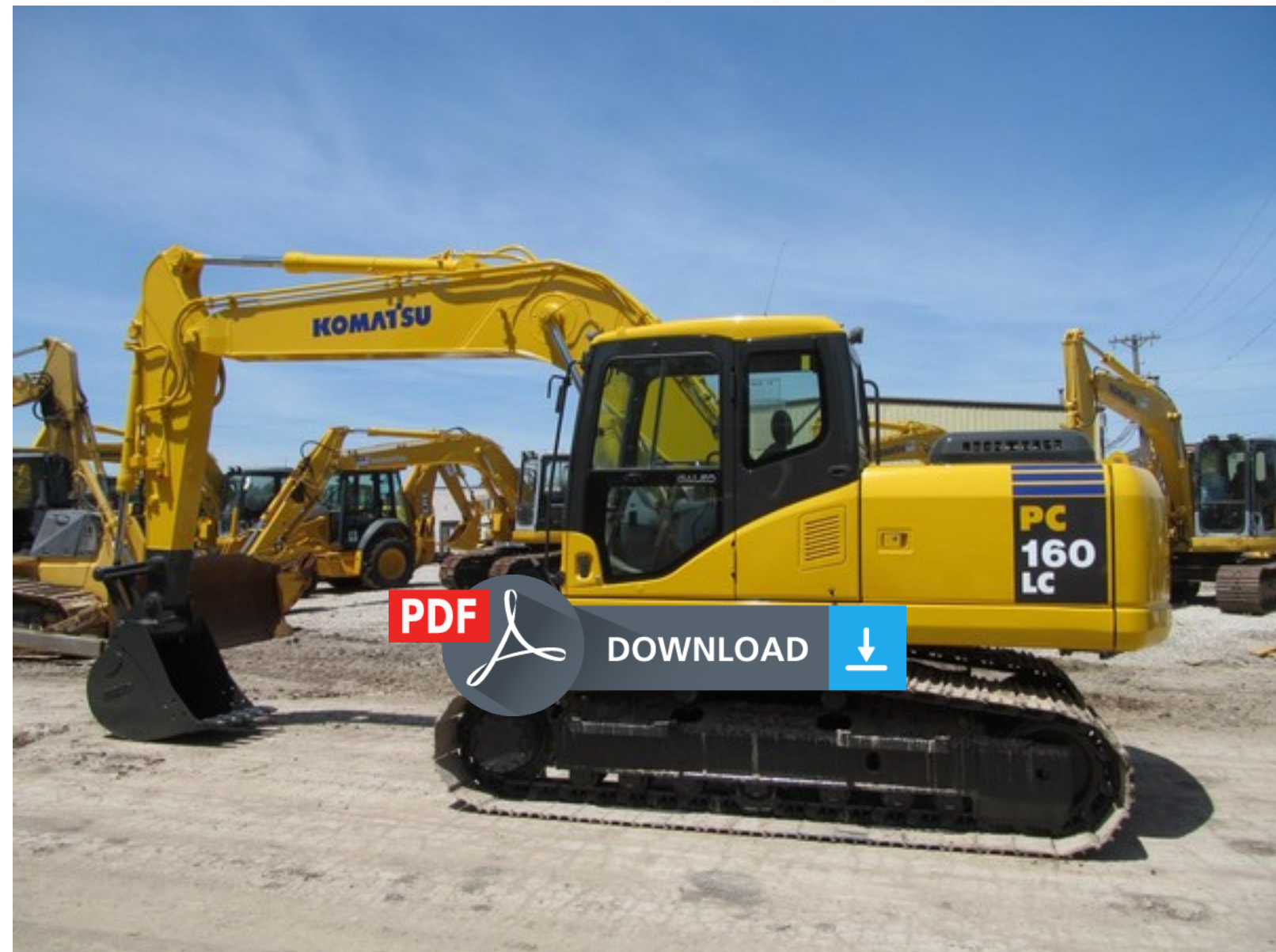


KOMATSU SK818-5,SK820-5 turbo Skid-Steer Loader Service Repair Workshop Manual(WEBM005000)



SHOP MANUAL

KOMATSU

PC160-6k

PC180LC, 180NLC-6k

MACHINE MODEL

PC160-6k

PC180LC, 180NLC-6k

SERIAL NUMBER

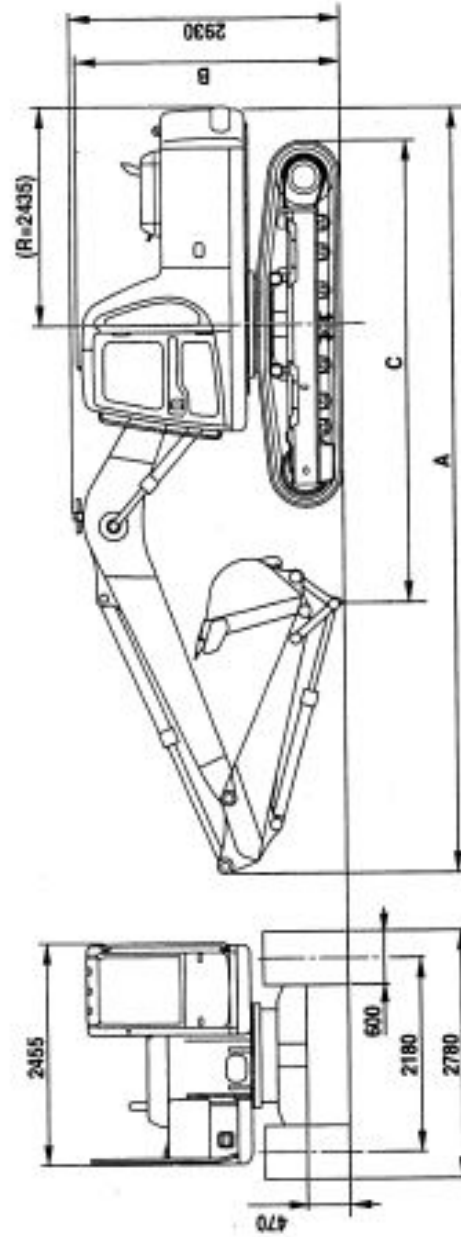
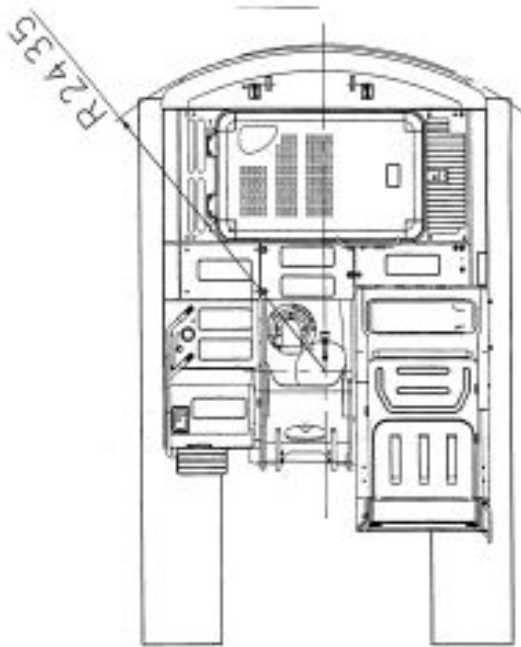
K30001 and up

K30001 and up

- This shop manual may contain attachments and optional equipment that are not available in your area. Please consult your local Komatsu distributor for those items you may require. Materials and specifications are subject to change without notice.
- PC160-6k mount the SA4D102E engine;
PC180LC-6k, PC180NLC-6k mount the SA4D102E engine.
For details of the engine, see the 102 Service Engine Shop Manual.

PC180 LC-6K

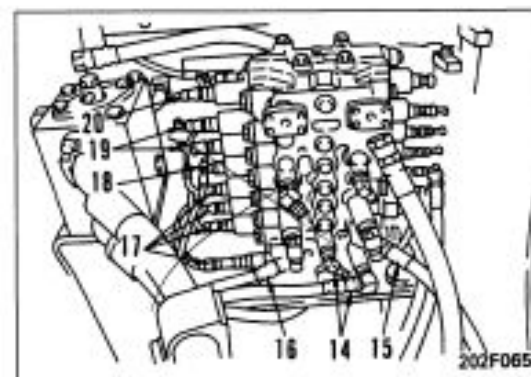
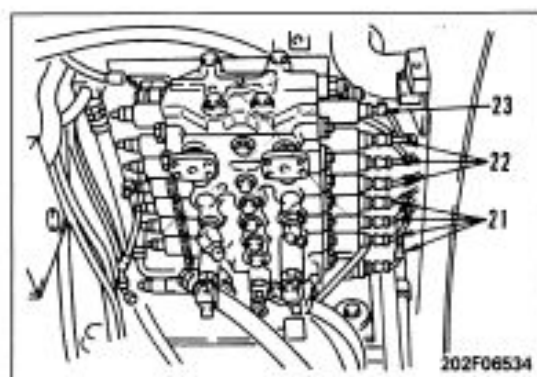
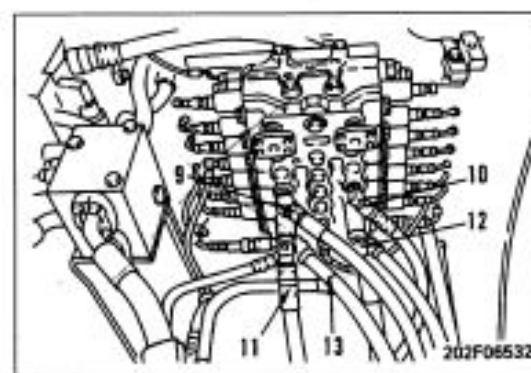
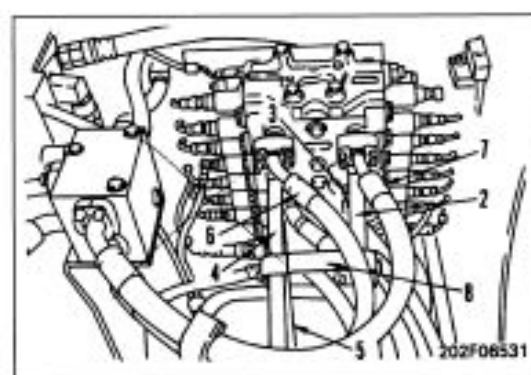
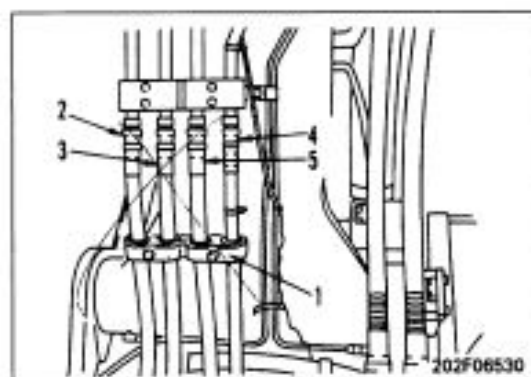
	1.85m ARM	2.25m ARM	2.62m ARM	2.90m ARM
A	8620 mm	8560 mm	8560 mm	8570 mm
B	3125 mm	2960 mm	2965 mm	3055 mm
C	6040 mm	5135 mm	4750 mm	4555 mm



REMOVAL OF CONTROL VALVE ASSEMBLY

⚠ Release the remaining pressure in the hydraulic circuit.
For details, see TESTING AND ADJUSTING, Releasing pressure in hydraulic circuit.

1. Remove engine room partition plate and chassis bodywork cover above control valve assembly.
2. Remove clamp (1), then disconnect hoses (2), (3), (4), and (5).
3. Disconnect hoses (6) and (7).
4. Remove clamp (8), then remove hoses (2), (3), (4), and (5).
5. Disconnect hoses (9), (10), (11), (12), and (13).
6. Disconnect hoses (14), (15), and (16).
7. Disconnect hoses (17), (18), (19), and (20).
★ Disconnect 2 hoses (18).
8. Disconnect hoses (21), (22), and (23).





Thank you very much
for your reading.
Please click here
to get more information.