

KOMATSU WA320-5H Wheel Loader Service Repair Workshop Manual



SHOP MANUAL

KOMATSU

WA320-5H

MACHINE MODEL

SERIAL NUMBER

WA320-5H

H50051 and up

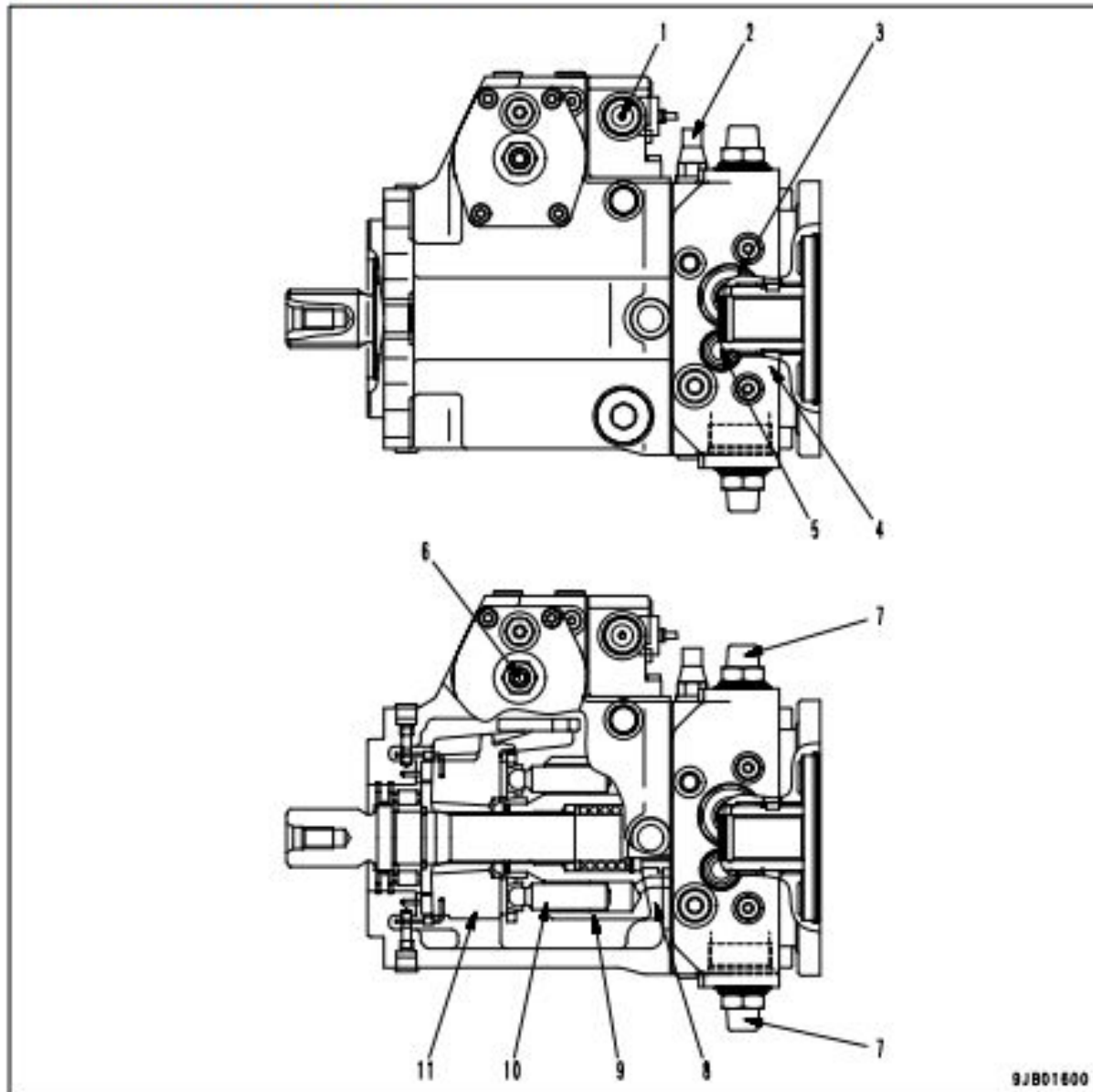
- This shop manual may contain attachments and optional equipment that are not available in your area. Please consult your local Komatsu distributor for those items you may require. Materials and specifications are subject to change without notice.
- WA320-5H mounts the SAA6D102E-2-A engine. For details of the engine, see the 102 Series Engine Shop Manual.

CONTENTS

	No. of page
01 GENERAL	01-1
10 STRUCTURE, FUNCTION AND MAINTENANCE STANDARD	10-1
20 TESTING AND ADJUSTMENT	20-1
30 DISASSEMBLY AND ASSEMBLY	30-1
90 OTHERS.....	90-1

HST PUMP

★ HST: Abbreviation for Hydro Static Transmission



1. Forward-reverse shifting solenoid valve
2. High-pressure cut-off valve
3. Speed-related valve (DA valve)
4. Charge pump
5. Low-pressure relief valve
6. Servo cylinder
7. High-pressure relief valve
8. Control plate
9. Cylinder block
10. Piston
11. Swash plate

Specifications

Model	A4VG125DA
Type	Variable displacement swash plate-type piston pump
Theoretical capacity (cc / rev)	0 - 110
Set pressure of high-pressure relief valve (MPa (kg/cm ²))	44.1 (450)
Set pressure of high-pressure cut-off valve (MPa (kg/cm ²))	Effective differential pressure 41.2 (420)
Set pressure of low-pressure relief valve (MPa (kg/cm ²))	2.94 (30)



Thank you very much
for your reading.
Please click here
to get more information.