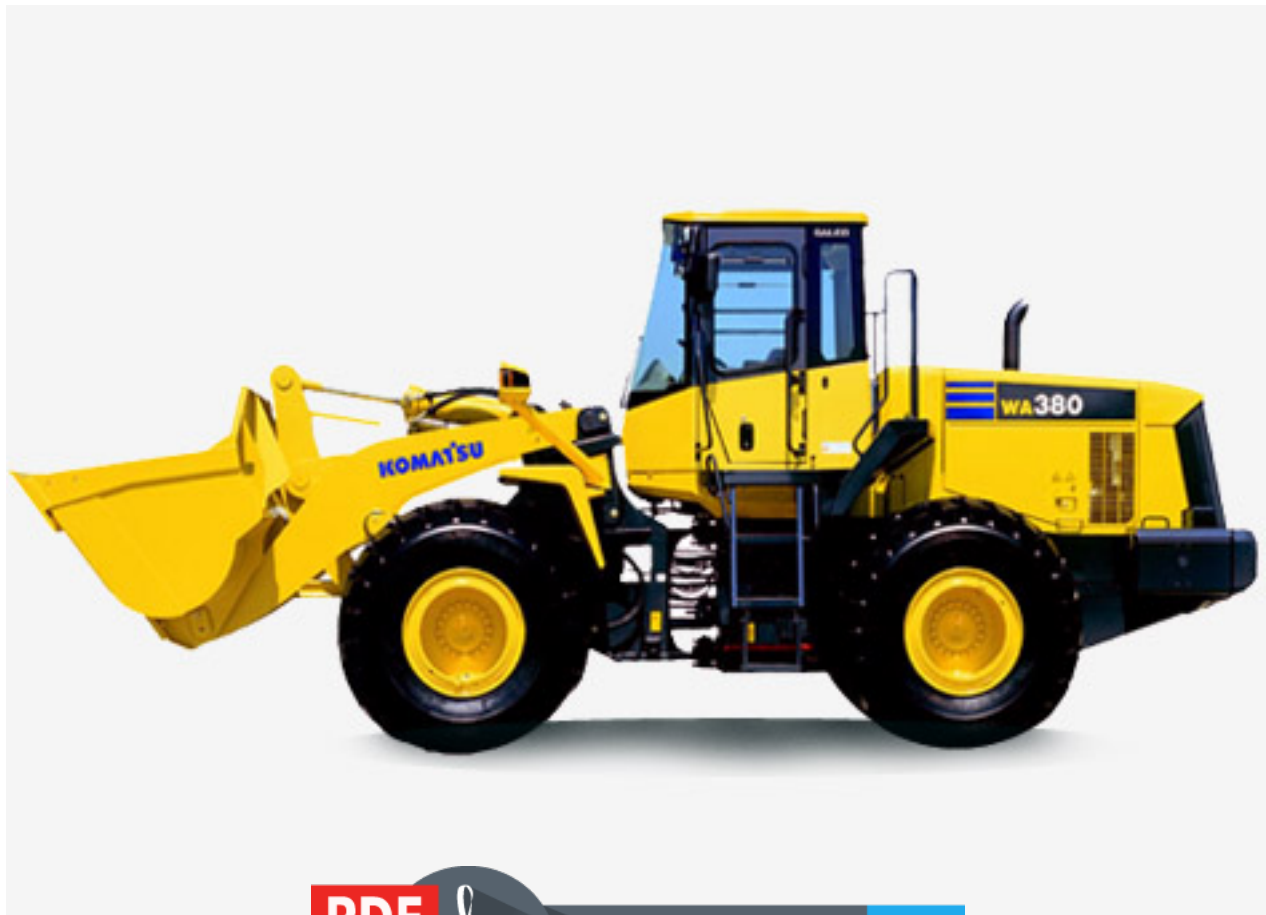


KOMATSU WA380-6 Wheel Loader Service Repair Workshop Manual



SHOP MANUAL

WA380-6

MACHINE MODEL

SERIAL NUMBER

WA380-6

H60051 and up

- This shop manual may contain attachments and optional equipment that are not available in your area. Please consult your local Komatsu distributor for those items you may require. Materials and specifications are subject to change without notice.
- WA380-6 mounts the SAA6D107E-1 engine.

WHEEL LOADER

WA380-6

Machine model	Serial number
WA380-6	H60051 and up

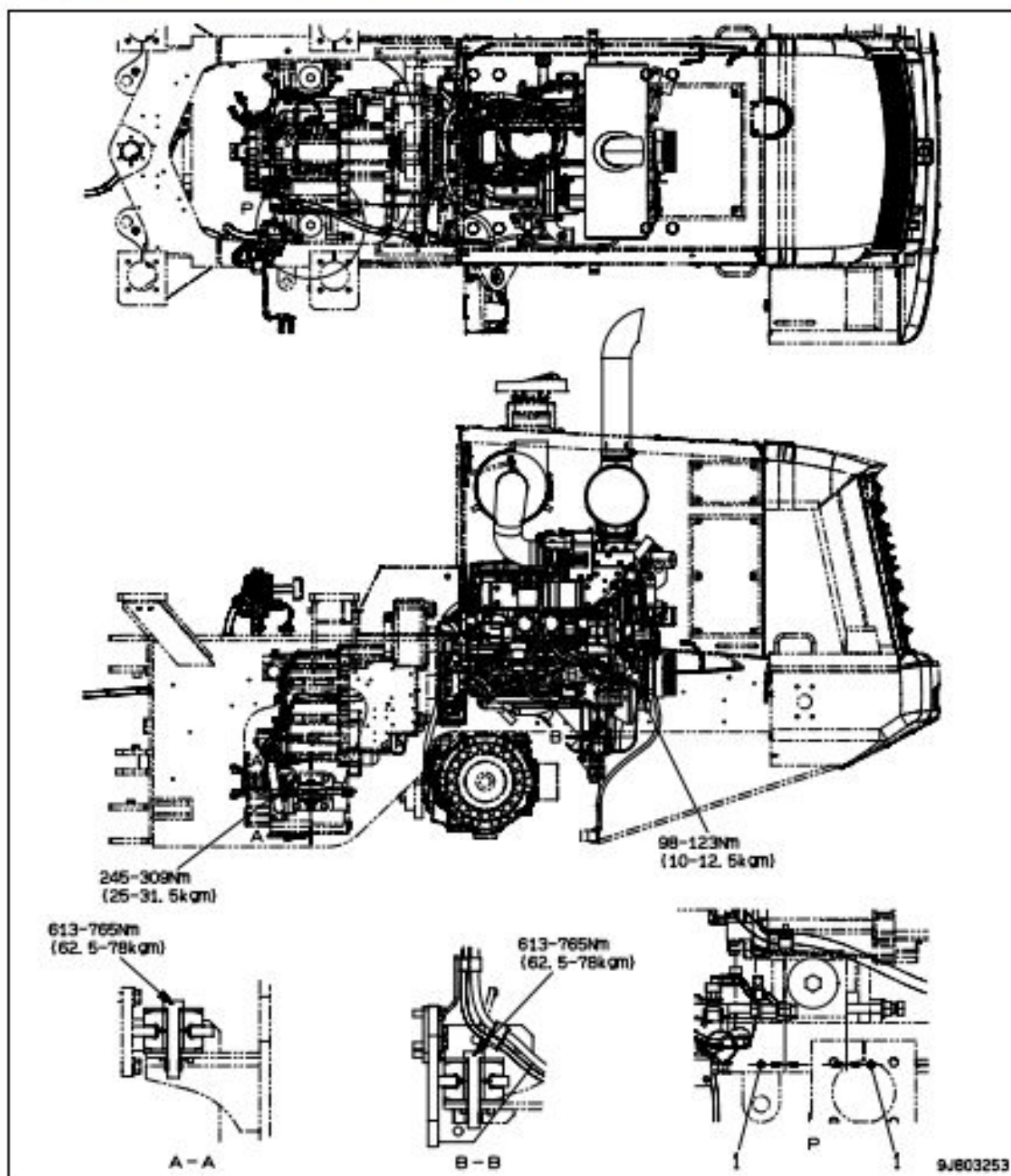
00 Index and foreword

Index

Composition of shop manual.....	2
Table of contents	4

Engine and cooling system

Engine mount and transmission mount



Unit: mm

No.	Check item	Criteria	Remedy
1	Clearance between transmission mount bracket and adjustment bolt	1 - 1.5	Adjust



Thank you very much
for your reading.
Please click here
to get more information.