



WA600

PDF



DOWNLOAD



Shop Manual



WHEEL LOADER

GALEO

WA600-6

SERIAL NUMBERS 60001 and up

KOMATSU

WHEEL LOADER

WA600-6

Machine model **Serial number**

WA600-6 60001 and up

00 Index and foreword

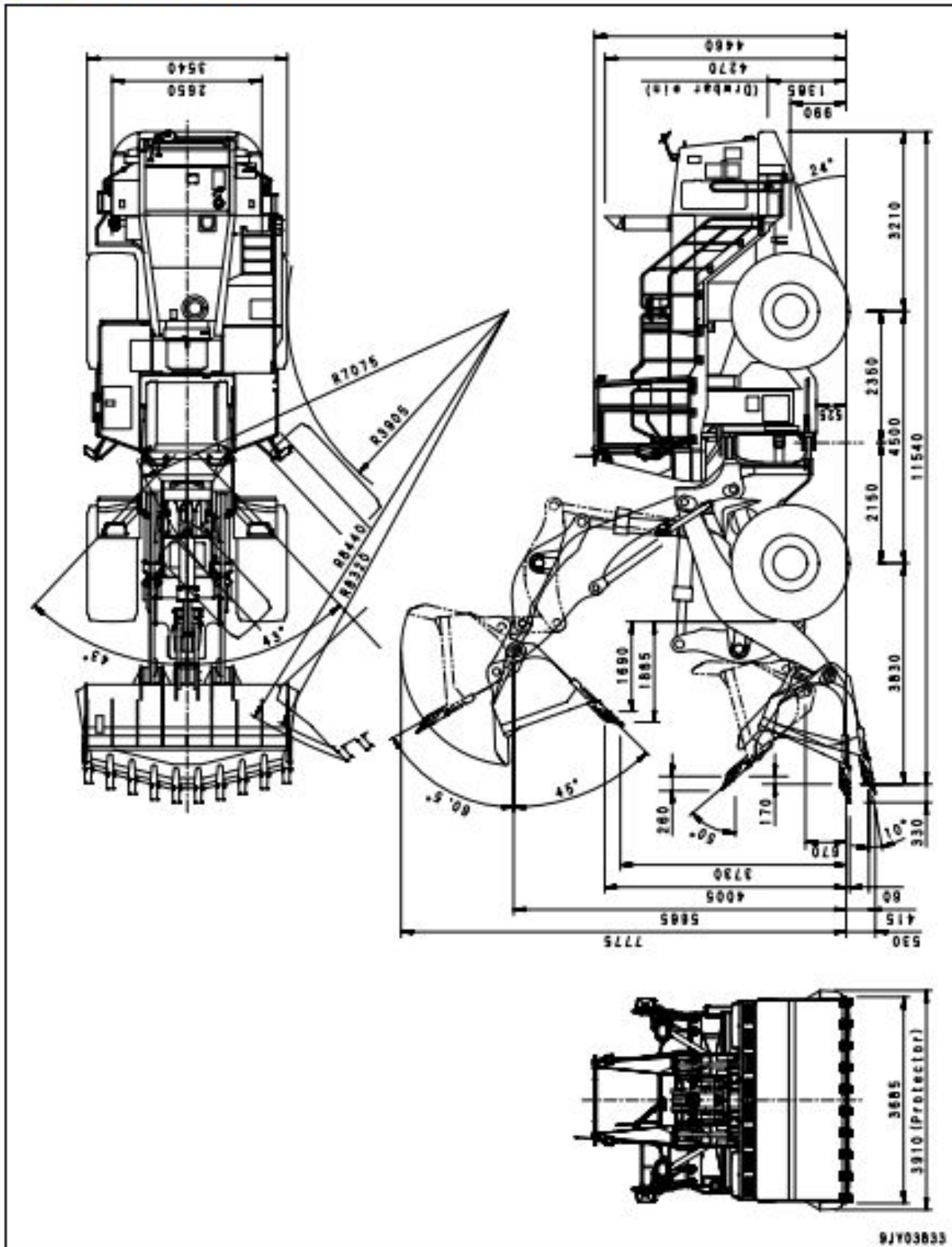
Index

Composition of shop manual.....	2
Table of contents	4

Specification and technical data

Specification dimension drawing

3,850 mm with lift arm





Thank you very much
for your reading.
Please click here
to get more information.