

KOMATSU WB93R-5 Backhoe Loader Service Repair Workshop Manual



WEBM005800

SHOP MANUAL



WB93R-5

BACKHOE-LOADER

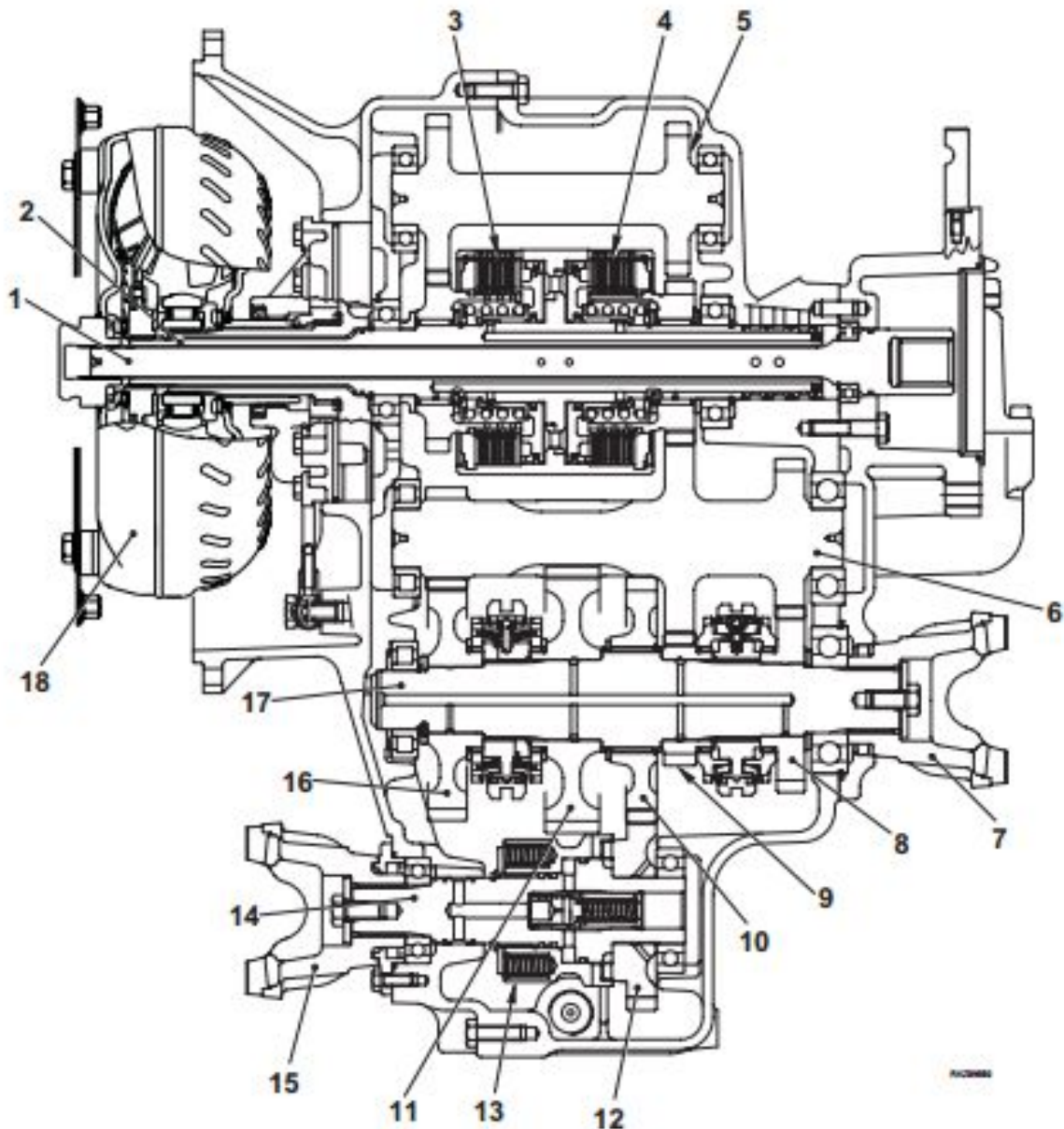
SERIAL NUMBER

WB93R-5 F50003 and up

KOMATSU
Utility

CONTENTS

	Page
10. STRUCTURE AND FUNCTION.....	10-1
20. TESTING AND ADJUSTING.....	20-1
30. DISASSEMBLY AND ASSEMBLY.....	30-1
40. STANDARD MAINTENANCE.....	40-1
90. OTHER.....	90-1



Section A - A

- | | |
|-------------------------------|---------------------------|
| 1. Hydraulic pump drive shaft | 10. 4WD drive gear |
| 2. Transmission drive shaft | 11. 1st gear driven gear |
| 3. Reverse clutch | 12. 4WD driven gear |
| 4. Forward clutch | 13. 4WD engagement device |
| 5. Reverse gears idler shaft | 14. Front output shaft |
| 6. Drive shaft | 15. Flange |
| 7. Flange | 16. 2nd gear driven gear |
| 8. 3rd gear driven gear | 17. Rear output shaft |
| 9. 4th gear driven gear | 18. Converter |



Thank you very much
for your reading.
Please click here
to get more information.