

# KOMATSU WB97S-2 Backhoe Loader Operation & Maintenance Manual



PDF



DOWNLOAD



# Operation & Maintenance Manual

WEAM000704

# WB97S-2

**BACKHOE-LOADER**

SERIAL NUMBER

**WB97S-2 97SF11205** and up



## WARNING

Unsafe use of this machine may cause serious injury or death. Operators and maintenance personnel must read this manual before operating or maintaining this machine.

This manual should be kept inside the cab for reference and periodically reviewed by all personnel who will come into contact with the machine.

**KOMATSU**  
*Utility*

## TABLE OF CONTENTS

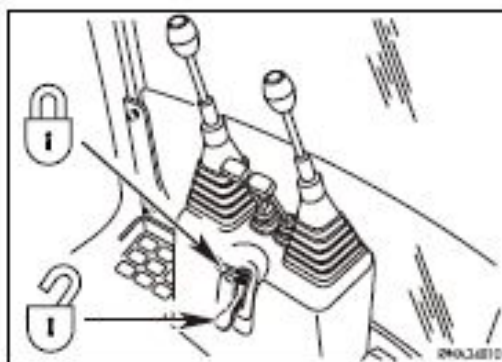
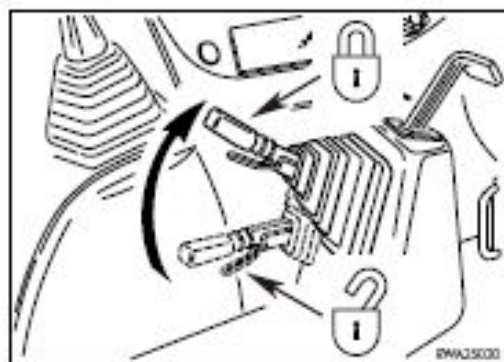
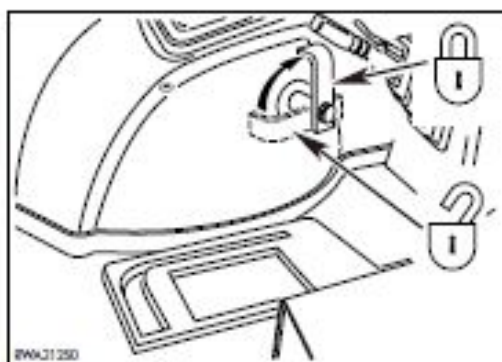
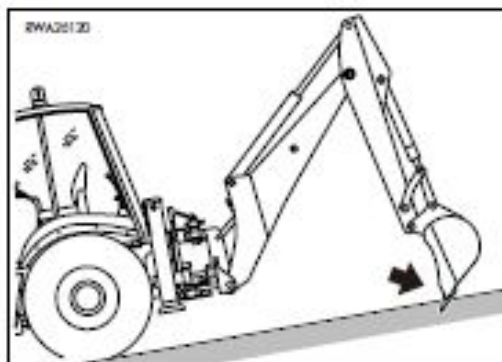
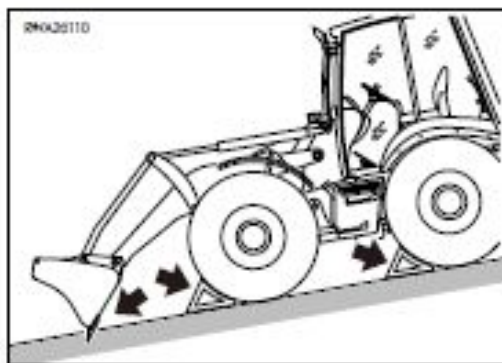
1.1	FOREWORD.....	1
1.2	INFORMATION ON SAFETY.....	2
1.3	INTRODUCTION.....	4
1.3.1	INTENDED USES.....	4
1.3.2	IMPROPER OR UNAUTHORIZED USES.....	4
1.3.3	MAIN CHARACTERISTICS.....	5
1.3.4	RUNNING-IN.....	5
1.4	PRODUCT IDENTIFICATION.....	6
1.4.1	MACHINE SERIAL NUMBER.....	6
1.4.2	MACHINE IDENTIFICATION PLATE.....	6
1.4.3	ENGINE SERIAL NUMBER AND EXHAUST GAS EMISSION PLATE.....	7
1.4.4	FRONT AXLE SERIAL NUMBER.....	7
1.4.5	REAR AXLE SERIAL NUMBER.....	8
1.4.6	TRANSMISSION SERIAL NUMBER.....	8
1.4.7	CAB SERIAL NUMBER.....	8
1.4.8	CANOPY SERIAL NUMBER (if provided).....	8
1.4.9	SERIAL NUMBERS AND DEALER'S ADDRESS.....	9
<b>SAFETY AND ACCIDENT PREVENTION</b>		
2.1	<b>SAFETY, NOISE AND VIBRATION PLATES.....</b>	<b>20</b>
2.1.1	POSITION OF THE SAFETY PLATES.....	20
2.1.2	PICTOGRAMS AND RELEVANT MEANINGS.....	22
2.1.3	POSITION OF THE NOISE PLATES ON MACHINES WITH CAB.....	26
2.1.4	VIBRATIONS TO WHICH THE OPERATOR IS SUBJECTED.....	27
2.2	<b>GENERAL PRECAUTIONS.....</b>	<b>28</b>
2.2.1	GENERAL SAFETY RULES.....	28
2.2.2	SAFETY DEVICES AND GUARDS.....	28
2.2.3	CLOTHING AND PERSONAL PROTECTION ITEMS.....	28
2.2.4	UNAUTHORIZED MODIFICATIONS.....	29
2.2.5	LEAVING THE OPERATOR'S SEAT.....	29
2.2.6	GETTING ON AND OFF THE MACHINE.....	30
2.2.7	CHECKING THE REAR-VIEW MIRRORS.....	30
2.2.8	PREVENTING FIRES DUE TO FUEL AND OIL.....	30
2.2.9	PREVENTING BURNS.....	31
2.2.10	PREVENTING DAMAGE DUE TO ASBESTOS POWDER.....	31
2.2.11	PREVENTING DAMAGE CAUSED BY THE WORK EQUIPMENT.....	32
2.2.12	FIRE EXTINGUISHERS AND FIRST AID KIT.....	32
2.2.13	PRECAUTIONS CONCERNING THE CAB STRUCTURE.....	32
2.2.14	PRECAUTIONS CONCERNING THE EQUIPMENT.....	32
2.3	<b>PRECAUTIONS TO BE TAKEN BEFORE STARTING THE ENGINE.....</b>	<b>33</b>
2.3.1	SAFETY ON THE WORK SITE.....	33
2.3.2	FIRE PREVENTION.....	33
2.3.3	PRECAUTIONS TO BE TAKEN FOR THE OPERATOR'S CAB.....	33
2.3.4	ROOM VENTILATION.....	34
2.3.5	CLEANING WINDOWS, MIRRORS AND LIGHTS - CHECKING THE WINDSHIELD WIPER BLADES AND THE BULBS.....	34

## 2.4.11 PARKING THE MACHINE

- Park the machine on firm and level ground. If this is not possible and it is necessary to park on a slope, position the machine with the front bucket directed downwards and carry out the following operations:
  - 1 - While keeping the machine stopped with the brakes, apply the parking brake.
  - 2 - Dump the front bucket to the unloading position and lower the arms until the teeth are driven into the ground.
  - 3 - Carry out the same operations with the backhoe bucket.
  - 4 - Stop the engine.
  - 5 - Put wedges or safety blocks under the front and rear wheels.
- Always rest the work equipment on the ground; if it is necessary to park with raised arms, make sure that the safety locks are engaged.
- Always engage the control lever safety locks.

 **IMPORTANT**

- If the machine is equipped with backhoe servo controls, always engage the control locking safety device by pressing the relevant switch, see "3.3.5.2 MACHINE CONTROLS (Version with servo controls)", pos. 26.
- 
- When leaving the machine, apply the parking brake, make sure that the cab windows are closed, remove the ignition key and finally lock the doors.
  - If it is necessary to park on public roads, provide for signalling the presence of the machine according to the local regulations in force (signalling fires, fences, road works ahead, alternated direction and direction signs, etc.).





Thank you very much  
for your reading.  
Please click here  
to get more information.