

KOMATSU WB97S-5 Backhoe Loader Service Repair Workshop Manual



SHOP MANUAL



WB97S-5

BACKHOE-LOADER

SERIAL NUMBER

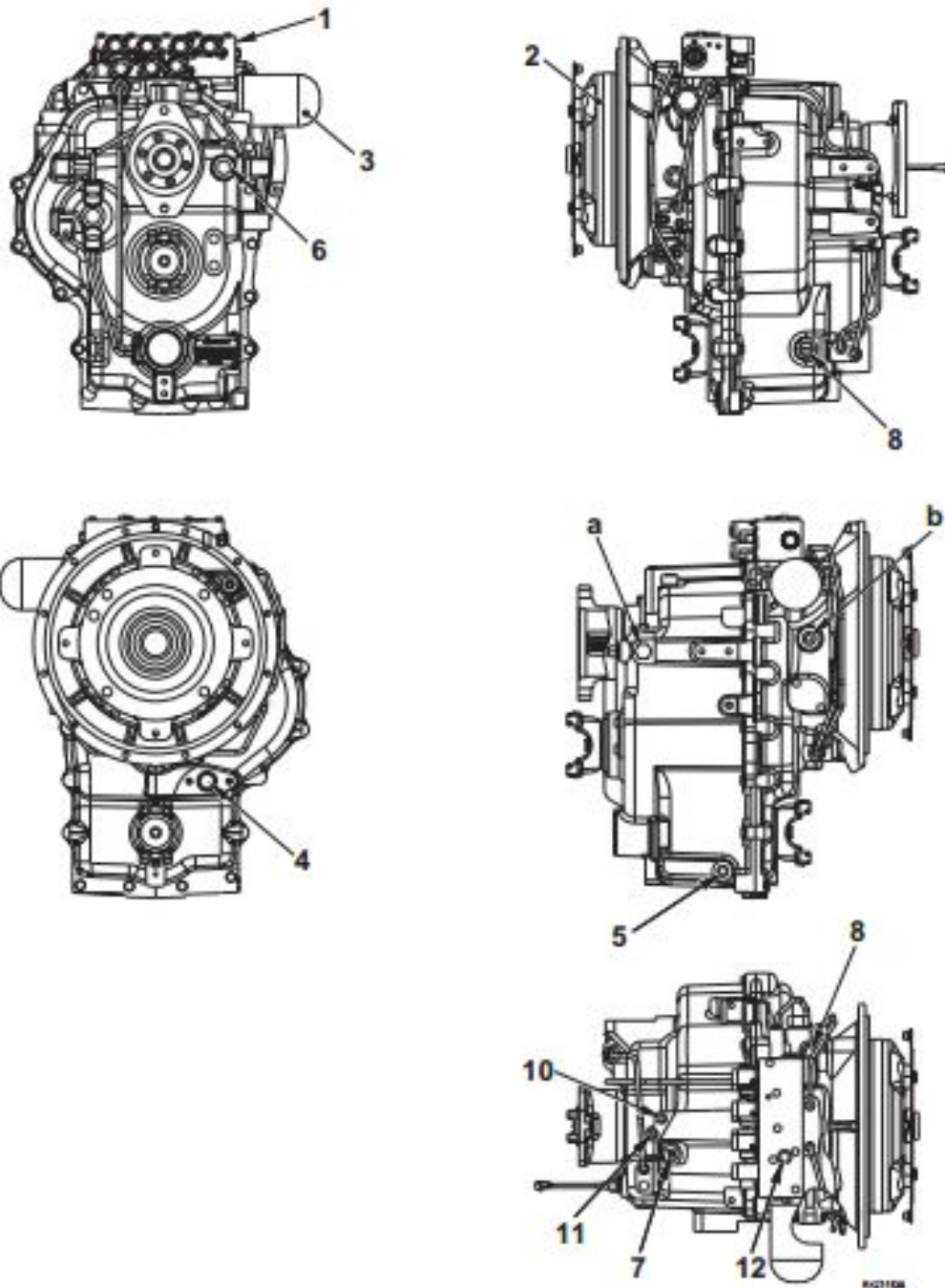
WB97S-5 F00003 and up

KOMATSU
Utility

CONTENTS

	Page
10. STRUCTURE AND FUNCTION.....	10-1
20. TESTING AND ADJUSTING.....	20-1
30. DISASSEMBLY AND ASSEMBLY.....	30-1
40. STANDARD MAINTENANCE.....	40-1
90. OTHER.....	90-1

TRANSMISSION



- a. To the oil cooler
- b. From the oil cooler

- 1. Control valve group
- 2. Converter
- 3. Oil filter
- 4. Oil refilling port
- 5. Oil drain plug
- 6. Oil temperature sensor

- 7. Vent plug
- 8. Revolution sensor
- 9. Converter input pressure check port
- 10. Reverse engagement pressure check port
- 11. Forward engagement pressure check port
- 12. PPC valve feed pressure check port



Thank you very much
for your reading.
Please click here
to get more information.