

# Komatsu Wheel Loaders WA320-6,WA320PZ-6 Service Repair Workshop Manual



---

---

---

## WA65-3

## WA65-3 Parallel Lift

## WA75-3

## WA85-3

## WA90-3

## WA95-3

# WHEEL LOADER

### SERIAL NUMBER

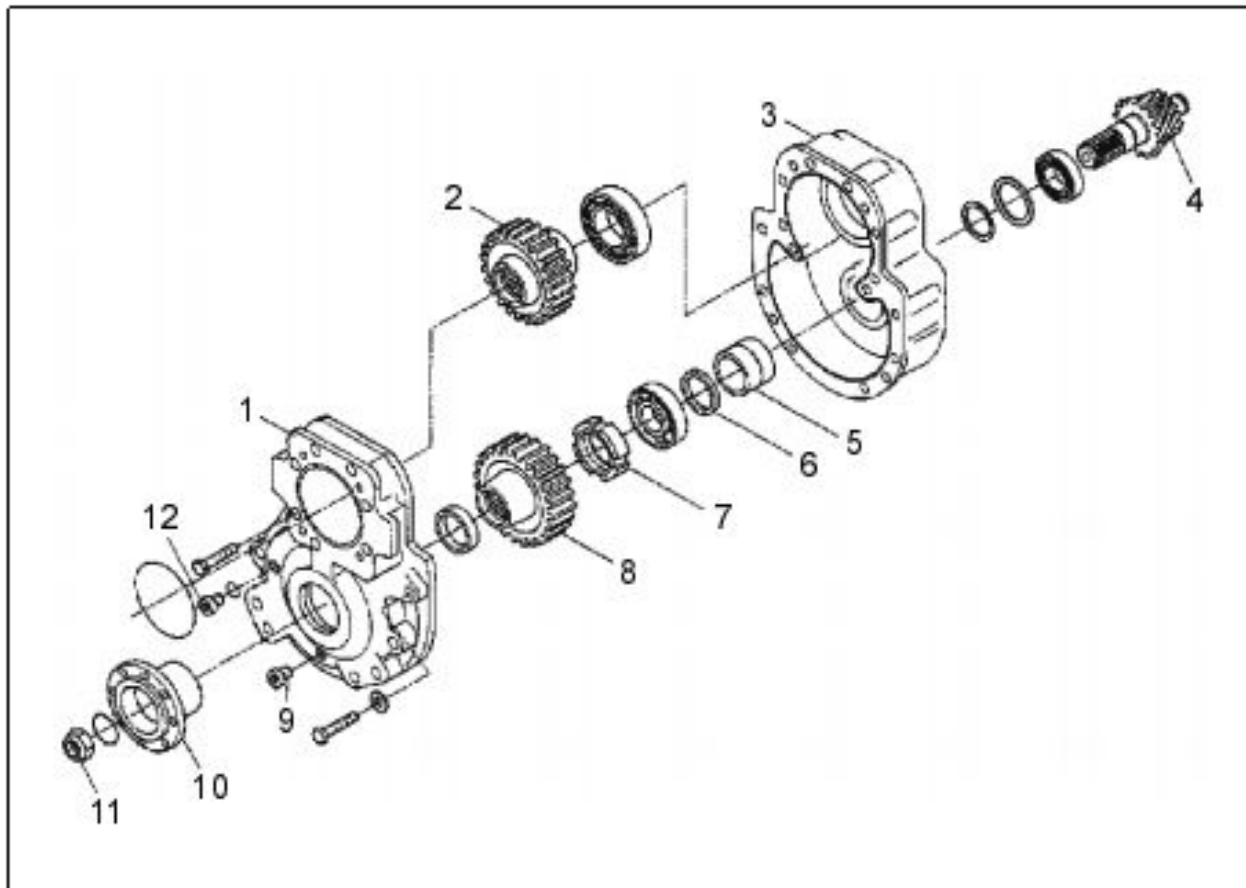
WA65-3	HA940051 AND UP
WA65-3 PARALLEL LIFT	HA050051 AND UP
WA75-3	HA950051 AND UP
WA85-3	HA960051 AND UP
WA90-3	HA970051 AND UP
WA95-3	HA980051 AND UP

- This shop manual may contain attachments and optional equipment that are not available in your area. Please consult your local KOMATSU distributor for those items you may require. Materials and specifications are subject to change without notice.
- For details of these engines see Engine Shop Manual, P/N: YMHINSHI-H8013.

# CONTENTS

	No. of page
00 SAFETY .....	00-3
01 GENERAL .....	01-1
10 STRUCTURE AND FUNCTION .....	10-1
20 TESTING AND ADJUSTING .....	20-1
30 DISASSEMBLY AND ASSEMBLY .....	30-1
90 APPENDIX .....	90-1

## Distributor box, single stage (20 km/h) – WA90-3/WA95-3



- |                  |                        |
|------------------|------------------------|
| 1. Housing cover | 7. Pinion nut          |
| 2. Input gear    | 8. Output gear         |
| 3. Housing       | 9. Oil drain plug      |
| 4. Output pinion | 10. Drive shaft flange |
| 5. Distance ring | 11. Flange nut         |
| 6. Pass shim     | 12. Oil control plug   |

### Description

- The variable displacement motor is mounted on the housing cover (1). The drive torque is transmitted from the motor to the input gear (2). The torque is then transmitted mechanically to the output gear (8) and the output pinion (4). The torque is transmitted from the one stage distribution box through a limited slip differential to the drive shafts.
- The distribution box is mounted on the rear axle.



Thank you very much  
for your reading.  
Please click here  
to get more information.