



PDF



DOWNLOAD



SHOP MANUAL

KOMATSU

WA40-1

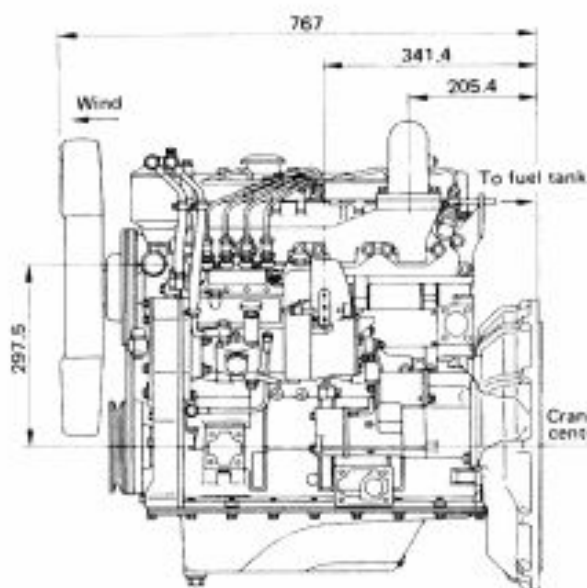
| | |
|---------------|--------------------|
| MACHINE MODEL | SERIAL No. |
| WA40-1 | 1001 and up |

CONTENTS

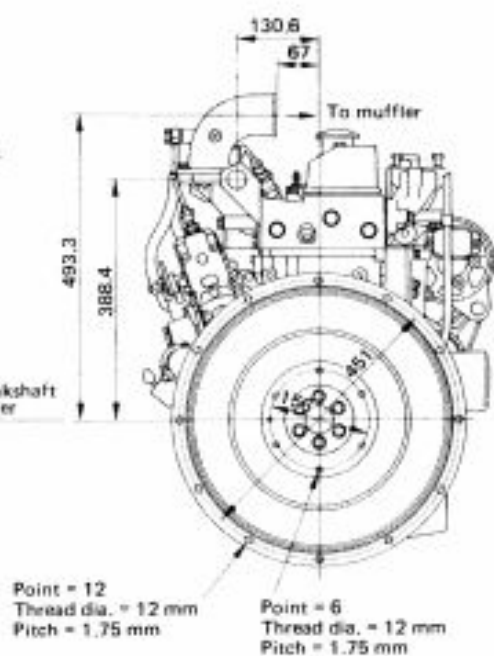
| | No. of page |
|--|-------------|
| 01 GENERAL | 01-1 |
| 10 ENGINE | |
| 11 STRUCTURE AND FUNCTION | 11-1 |
| 13 DISASSEMBLY AND ASSEMBLY | 13-1 |
| 20 POWER TRAIN | |
| 21 STRUCTURE AND FUNCTION | 21-1 |
| 23 DISASSEMBLY AND ASSEMBLY | 23-1 |
| 24 MAINTENANCE STANDARD | 24-1 |
| 40 STEERING SYSTEM | |
| 41 STRUCTURE AND FUNCTION | 41-1 |
| 43 DISASSEMBLY AND ASSEMBLY | 43-1 |
| 44 MAINTENANCE STANDARD | 44-1 |
| 50 BRAKE SYSTEM | |
| 51 STRUCTURE AND FUNCTION | 51-1 |
| 53 DISASSEMBLY AND ASSEMBLY | 53-1 |
| 54 MAINTENANCE STANDARD | 54-1 |
| 60 WORK EQUIPMENT | |
| 61 STRUCTURE AND FUNCTION | 61-1 |
| 63 DISASSEMBLY AND ASSEMBLY | 63-1 |
| 64 MAINTENANCE STANDARD | 64-1 |
| 80 ELECTRIC AND ELECTRONIC SYSTEM | |
| 81 STRUCTURE AND FUNCTION | 81-1 |
| 90 OTHERS | |
| 91 STRUCTURE AND FUNCTION | 91-1 |
| 93 DISASSEMBLY AND ASSEMBLY | 93-1 |

ENGINE ASSEMBLY DRAWING

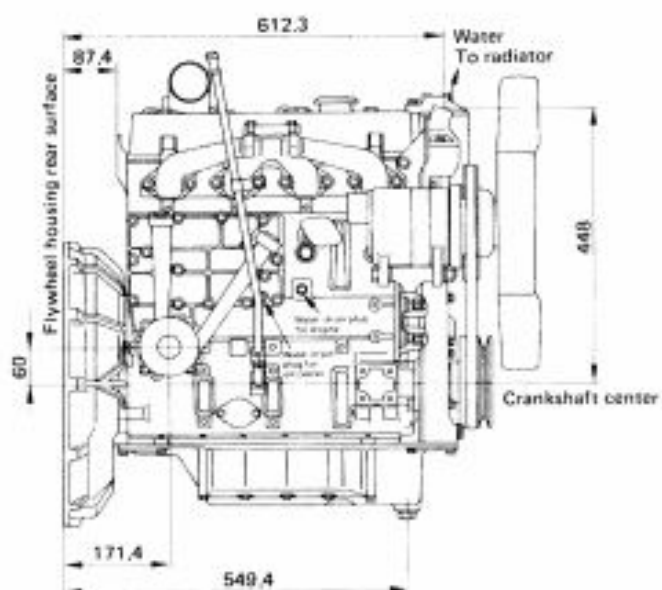
L.H. side view



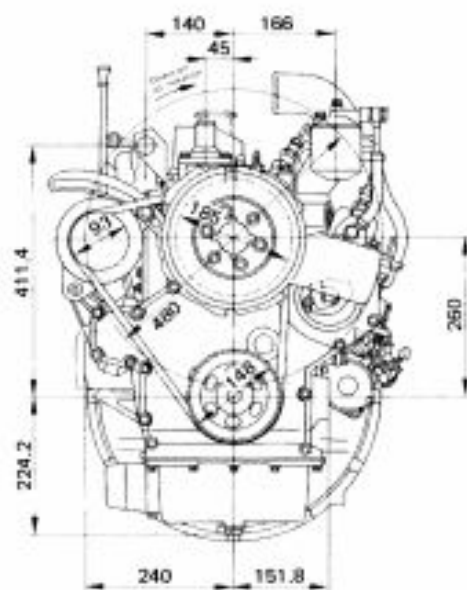
Rear view



R.H. side view



Front view



363F002

Unit: mm



Thank you very much
for your reading.
Please click here
to get more information.