



SERVICE MANUAL



Shop Manual

GALEO WA450-5L WA480-5L WHEEL LOADER

SERIAL NUMBERS **WA450-5L** **A36001**
WA480-5L **A37001** and UP

This material is proprietary to Komatsu America Corp. and is not to be reproduced, used, or disclosed except in accordance with written authorization from Komatsu America Corp.

It is our policy to improve our products whenever it is possible and practical to do so. We reserve the right to make changes or add improvements at any time without incurring any obligation to install such changes on products sold previously.

Due to this continuous program of research and development, periodic revisions may be made to this publication. It is recommended that customers contact their distributor for information on the latest revision.

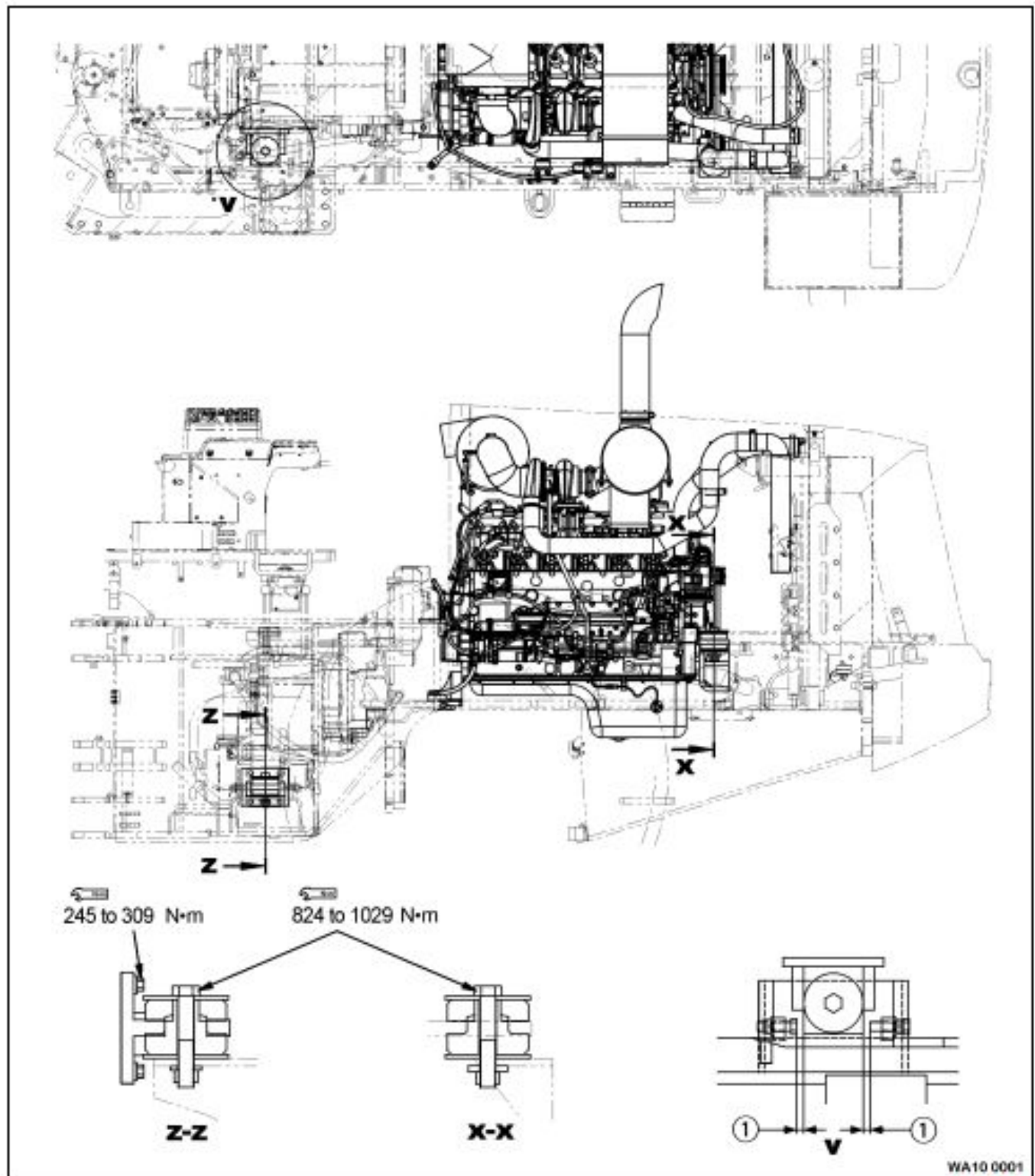
September 2005
Printed in USA

Copyright 2005 Komatsu
DataKom Publishing Division
00-1 ③

CONTENTS

| | | |
|----|--|------|
| 01 | GENERAL | 01-1 |
| 10 | STRUCTURE AND FUNCTION | 10-1 |
| 20 | TESTING, ADJUSTING AND TROUBLESHOOTING | 20-1 |
| 30 | DISASSEMBLY AND ASSEMBLY | 30-1 |
| 90 | OTHER..... | 90-1 |

ENGINE AND TRANSMISSION MOUNT



WA10 0001

Unit : mm

| No. | Check item | Criteria | Remedy |
|-----|---|----------|--------|
| ① | Clearance between the transmission mounting bracket and the adjustment bolt | 1 to 1.5 | Adjust |



Thank you very much
for your reading.
Please click here
to get more information.