



PDF



DOWNLOAD



# SHOP MANUAL

## **KOMATSU** **WA320-5**

Machine model	Serial number
<b>WA320-5</b>	<b>60001 and up</b>

- This shop manual may contain attachments and optional equipment that are not available in your area. Please consult your local Komatsu distributor for those items you may require. Materials and specifications are subject to change without notice.
- WA320-5 mounts the SAA6D102E-2-A engine.  
For details of the engine, see the 102 Series Engine Shop Manual.

## Composition of shop manual

The contents of this shop manual are shown together with Form No. in a list.

Note 1: Always keep the latest version of this manual in accordance with this list and utilize accordingly.  
The marks shown to the right of Form No. denote the following:

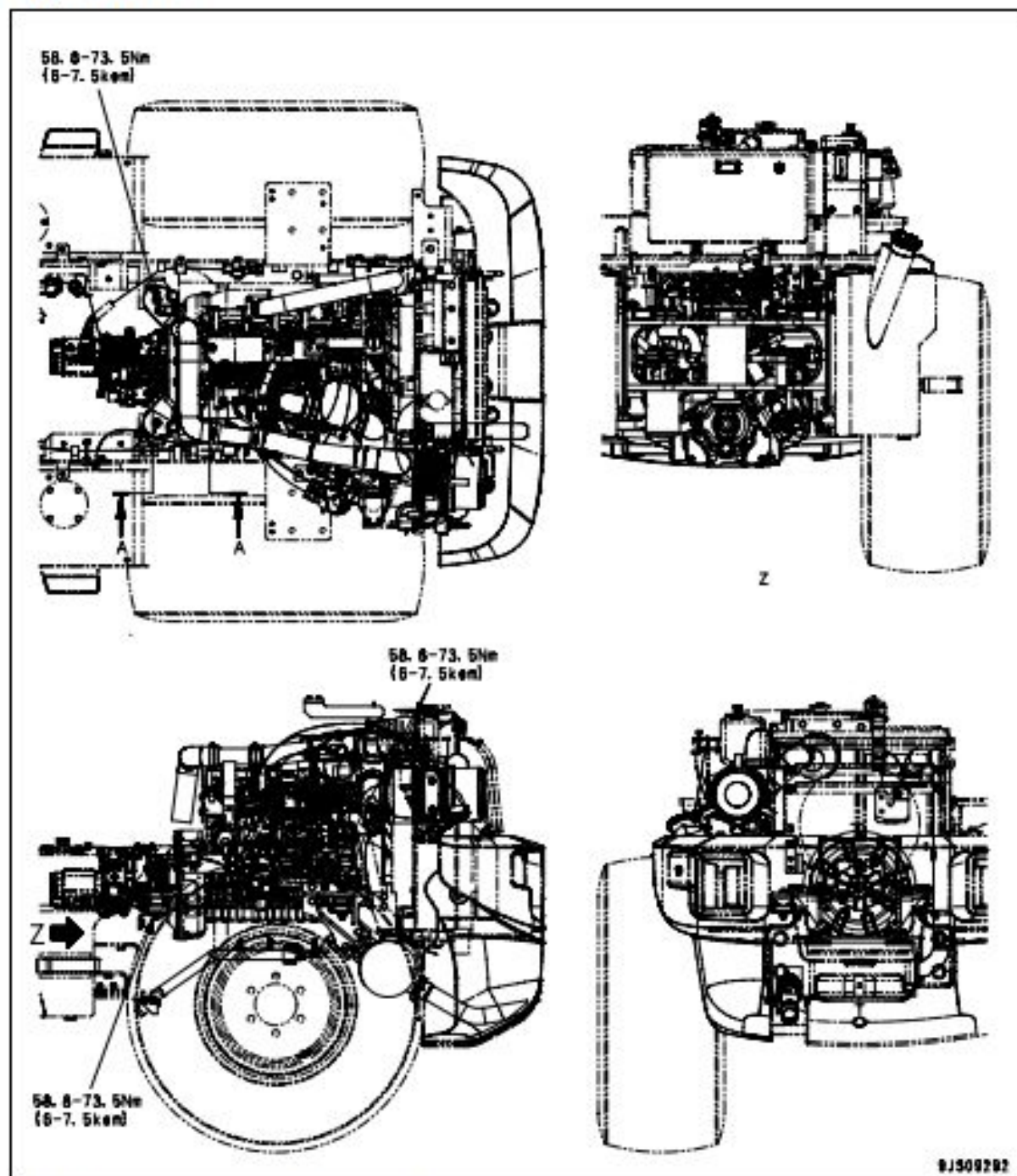
○: New issue (to be filed additionally) ●: Revision (to be replaced for each Form No.)

Note 2: This shop manual can be supplied for each Form No.

Note 3: To file this shop manual in the special binder for management, handle it as follows:

- Place a divider on the top of each section in the file after matching the Tab No. with No. indicated next to each Section Name shown in the table below:
- File overview and other materials in sections in the order shown below and utilize them accordingly.

Section Title	Form Number
Shop Manual, contents binder, binder label and tabs	SEN04670-03
00 Index and foreword	SEN04684-03
100 Index	SEN04685-03 ●
200 Foreword and general information	SEN04686-01
01 Specification	SEN04687-00
100 Specification and technical data	SEN04688-00
10 Structure, function and maintenance standard	SEN04689-01
100 Engine and cooling system	SEN04690-00
200 Power train	SEN04691-00
300 Steering system	SEN04692-00
400 Brake system	SEN04693-00
500 Undercarriage and frame	SEN04694-00
600 Hydraulic system	SEN04695-00
700 Work equipment	SEN04696-00
800 Cab and its attachments	SEN04697-01
910 Electrical system, Part 1	SEN04698-00
920 Electrical system, Part 2	SEN04699-00
20 Standard value table	SEN04700-01
100 Standard service value table	SEN04707-01 ●
30 Testing and adjusting	SEN04701-01
110 Testing and adjusting, Part 1	SEN04708-01 ●
120 Testing and adjusting, Part 2	SEN04709-01 ●
40 Troubleshooting	SEN04702-01
100 Failure code table and fuse locations	SEN04710-01 ●
200 General information on troubleshooting	SEN04711-01 ●
300 Troubleshooting by failure code (Display of code)	SEN04712-01 ●
400 Troubleshooting of electrical system (E-mode)	SEN04713-01 ●
500 Troubleshooting of hydraulic and mechanical system (H-mode)	SEN04714-01 ●
600 Troubleshooting of engine (S-mode)	SEN04715-00

**Engine mount and transfer mount****Engine mount**

★ Section A-A is shown in the "Coupling" section.





Thank you very much  
for your reading.  
Please click here  
to get more information.