



PDF



DOWNLOAD



SHOP MANUAL

KOMATSU **WA380-1**

MACHINE MODEL SERIAL No.
WA380-1 **10001 and up**

- This shop manual may contain attachments and optional equipment that are not available in your area. Please consult your local Komatsu distributor for those items you may require. Materials and specifications are subject to change without notice.
- WA380-1 mount the SA6D110-1 engine.
For details of the engine, see the 110 Series Engine Shop Manual.

CONTENTS

	No. of page
10 ENGINE	
12 TESTING AND ADJUSTING	12-1
13 DISASSEMBLY AND ASSEMBLY	13-1
20 POWER TRAIN	
21 STRUCTURE AND FUNCTION	21-1
22 TESTING AND ADJUSTING	22-1
23 DISASSEMBLY AND ASSEMBLY	23-1
24 MAINTENANCE STANDARD	24-1
40 STEERING SYSTEM	
41 STRUCTURE AND FUNCTION	41-1
42 TESTING AND ADJUSTING	42-1
43 DISASSEMBLY AND ASSEMBLY	43-1
44 MAINTENANCE STANDARD	44-1
50 BRAKE AND AIR SYSTEM	
51 STRUCTURE AND FUNCTION	51-1
52 TESTING AND ADJUSTING	52-1
53 DISASSEMBLY AND ASSEMBLY	53-1
54 MAINTENANCE STANDARD	54-1
60 WORK EQUIPMENT SYSTEM	
61 STRUCTURE AND FUNCTION	61-1
62 TESTING AND ADJUSTING	62-1
63 DISASSEMBLY AND ASSEMBLY	63-1
64 MAINTENANCE STANDARD	64-1
80 ELECTRIC AND ELECTRONIC SYSTEM	
81 STRUCTURE AND FUNCTION	81-1
82 TESTING AND ADJUSTING	82-1
83 DISASSEMBLY AND ASSEMBLY	83-1
90 OTHERS	
93 DISASSEMBLY AND ASSEMBLY	93-1
97 GEAR PUMP	97-1

TESTING AND ADJUSTING FUEL INJECTION TIMING

- ★ Measurement condition
- Coolant temperature: Inside operating range.

Unit: degree

Item	Standard value	Permissible value
Fuel injection timing	B.T.D.C. 16	16 ± 1

TESTING FUEL INJECTION TIMING

1. Disconnect fuel injection pipe (1) of No. 1 cylinder.
2. Remove delivery valve holder (2), then remove delivery valve (3) and spring (4), and install delivery valve holder (2) again.
3. Place fuel control lever at FULL position.
4. Operate priming pump and rotate crankshaft slowly in normal direction. Check point where fuel stops flowing from delivery valve holder (2).
5. Check that 16° I.J. line on crankshaft pulley (5) and pointer (6) are aligned at point where fuel stops flowing.

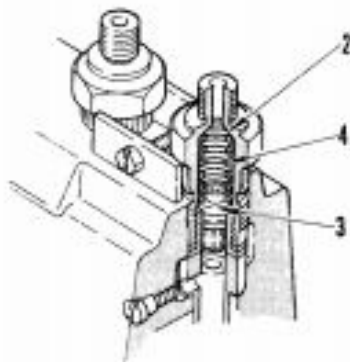
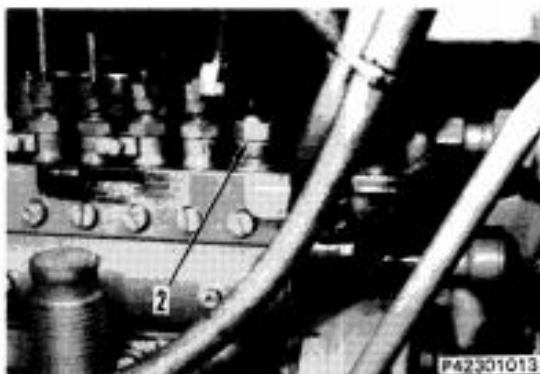
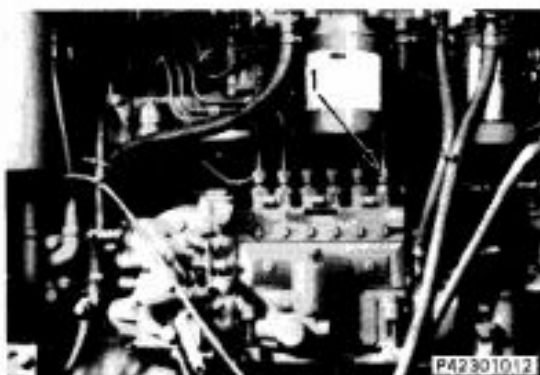
- ★ BEYOND injection timing line:

Timing RETARDED

- ★ BEFORE injection timing line:

Timing ADVANCED

- ★ If the test shows that the fuel injection timing is incorrect, adjust as follows.





Thank you very much
for your reading.
Please click here
to get more information.