

JD John Deere 1870 76 ft Air Hoe Drill Diagnostic Technical Service Manual (TM135219)

1870 76 ft Air Hoe Drill
Diagnostic



JOHN HARE



COLLECTION

DIAGNOSTIC TECHNICAL MANUAL
1870 76 ft Air Hoe Drill

TM135219 01DEC18 (ENGLISH)



John Deere Ag Management
Solutions

Covers: 1870

Type: Service Manual

Language: English

Pages: 668

Format: PDF

Features: Bookmarked, searchable, printable

Compatibility: Windows/Mac/Tablet/Mobile

This service manual contains important information for the maintenance, troubleshooting and servicing of the **JD John Deere 1870 76 ft Air Hoe Drill Diagnostic Technical Service Manual (TM135219)**

In this manual you will find detailed specifications, illustrations, schematics, diagrams and step-by-step procedures to properly service and diagnose the machine to the manufacturer's standards.

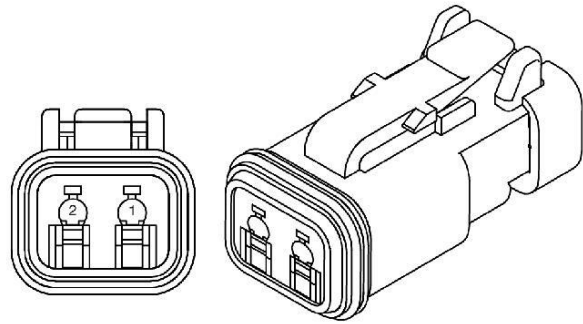
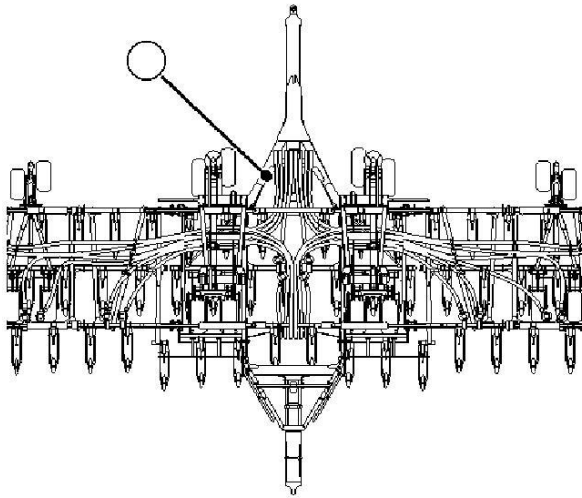
Contents:

- General Information
- Specifications
- Serial Number Location
- Engine Specifications
- Engine Diagnostics
- Engine Tests and Adjustments
- Engine Repair
- Power Train
- Transmission
- Axles
- Differential
- PTO
- Hydraulic System
- Electrical System
- Electrical Tests and Diagnostics
- Wiring Diagram / Schematic
- Ignition and Charging
- Steering
- Brakes
- Wheels
- Operator's Platform
- Body Panels
- Disassembly and Assembly
- Diagnostics, Tests and Adjustments
- Troubleshooting
- and much more...

Please note this manual is in **downloadable PDF format only**. If you have any questions about this product or would like to request sample pages, please contact us and reference the product name or SKU.

XY353—Press Wheel Downforce Adjust Charge Solenoid-PR1

A86280-UN: Machine Graphic

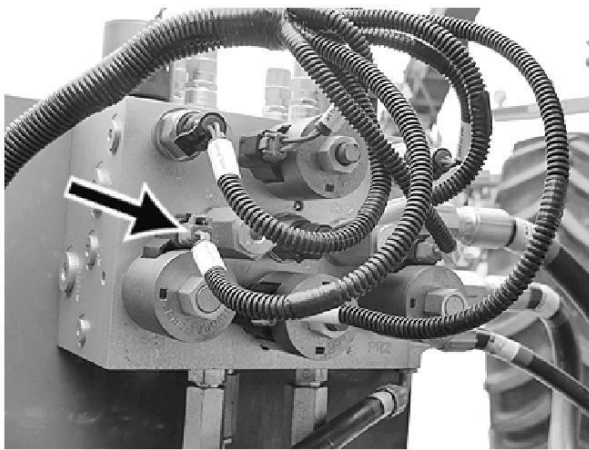


RXA0085698-UN: End View

Component Information	
Number of Pins	2
Connection Point	Y353—Opener Retract Pressure Charge Solenoid Valve-SV2
Harness Information	W350 Opener Downforce Valve Block Harness to Center Main Harness

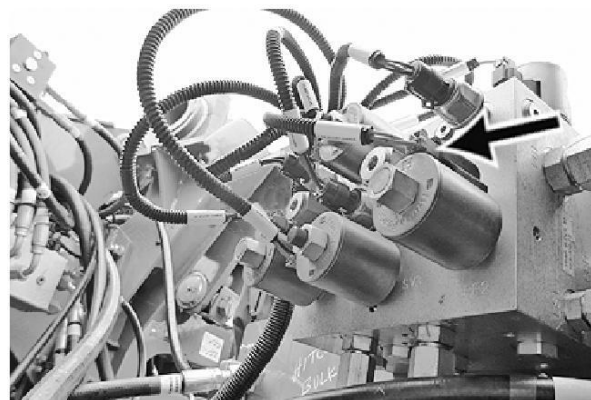
Pin	Circuit	Color
1	7573	Orange
2	7593	Orange

A84155-UN: Location Art

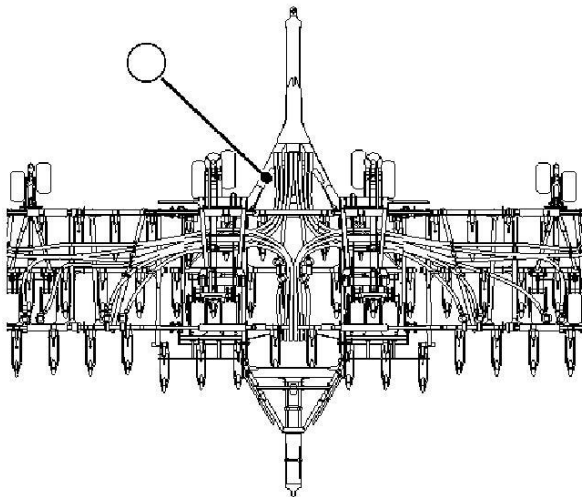


OUIHX149,0001879-19-20150721

XY354—Fertilizer Shank Trip Pressure Adjust Charge Solenoid-PR2

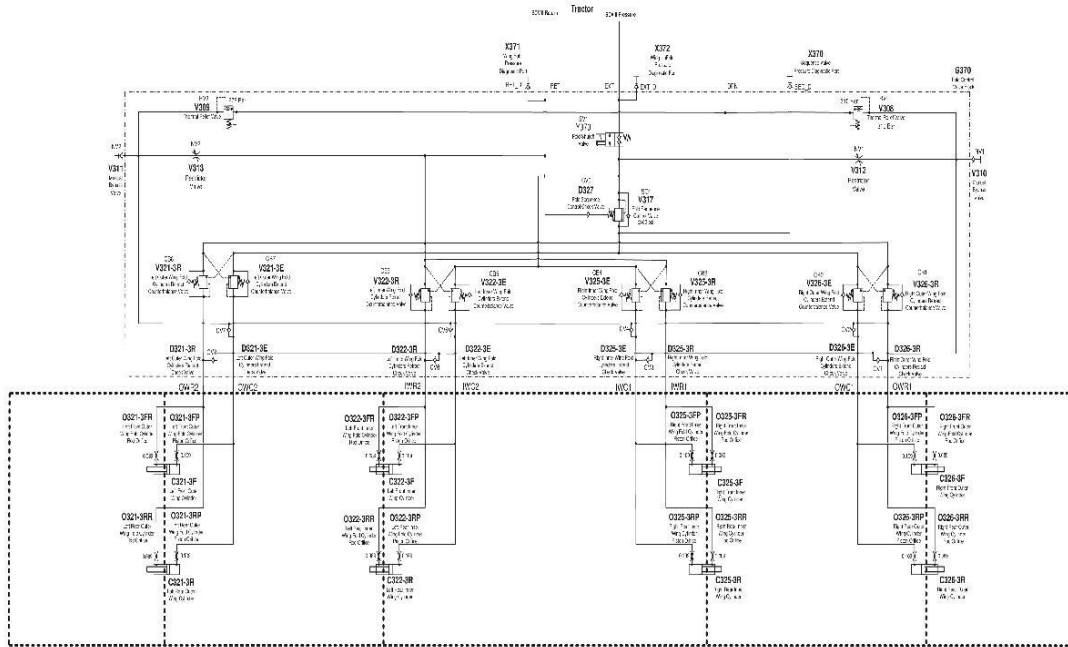


A86311-UN: Machine Graphic



A84155-UN: Location Art

Fold and Unfold System Schematic



A89063-UN: Schematic

LEGEND:

- C321-3F—Left-Hand Front Outer Wing-Fold Cylinder
- C321-3R—Left-Hand Rear Outer Wing-Fold Cylinder
- C322-3F—Left-Hand Front Inner Wing-Fold Cylinder
- C322-3R—Left-Hand Rear Inner Wing-Fold Cylinder
- C325-3F—Right-Hand Front Inner Wing-Fold Cylinder
- C325-3R—Right-Hand Rear Inner Wing-Fold Cylinder
- C326-3F—Right-Hand Front Outer Wing-Fold Cylinder
- C326-3R—Right-Hand Rear Outer Wing-Fold Cylinder
- D321-3E—Left-Hand Outer Wing-Fold Cylinders Extend Check Valve
- D321-3R—Left-Hand Outer Wing-Fold Cylinders Retract Check Valve
- D322-3E—Left-Hand Inner Wing-Fold Cylinders Extend Check Valve
- D322-3R—Left-Hand Inner Wing-Fold Cylinders Retract Check Valve
- D325-3E—Right-Hand Inner Wing-Fold Cylinders Extend Check Valve
- D325-3R—Right-Hand Inner Wing-Fold Cylinders Retract Check Valve
- D326-3E—Right-Hand Outer Wing-Fold Cylinders Extend Check Valve
- D326-3R—Right-Hand Outer Wing-Fold Cylinders Retract Check Valve
- D327—Fold Sequence Control Check Valve
- G370—Fold Control Valve Block
- O321-3FP—Left-Hand Front Outer Wing-Fold Cylinder Piston Side Orifice
- O321-3FR—Left-Hand Front Outer Wing-Fold Cylinder Rod Side Orifice
- O321-3RP—Left-Hand Rear Outer Wing-Fold Cylinder Piston Side Orifice
- O321-3RR—Left-Hand Rear Outer Wing-Fold Cylinder Rod Side Orifice
- O322-3FP—Left-Hand Front Inner Wing-Fold Cylinder Piston Side Orifice
- O322-3FR—Left-Hand Front Inner Wing-Fold Cylinder Rod Side Orifice
- O322-3RP—Left-Hand Rear Inner Wing-Fold Cylinder Piston Side Orifice
- O322-3RR—Left-Hand Rear Inner Wing-Fold Cylinder Rod Side Orifice
- O325-3FP—Right-Hand Front Inner Wing-Fold Cylinder Piston Side Orifice
- O325-3FR—Right-Hand Front Inner Wing-Fold Cylinder Rod Side Orifice
- O325-3RP—Right-Hand Rear Inner Wing-Fold Cylinder Piston Side Orifice
- O325-3RR—Right-Hand Rear Inner Wing-Fold Cylinder Rod Side Orifice
- O326-3FP—Right-Hand Front Outer Wing-Fold Cylinder Piston Side Orifice
- O326-3FR—Right-Hand Front Outer Wing-Fold Cylinder Rod Side Orifice
- O326-3RP—Right-Hand Rear Outer Wing-Fold Cylinder Piston Side Orifice
- O326-3RR—Right-Hand Rear Outer Wing-Fold Cylinder Rod Side Orifice
- O326-3RR—Right-Hand Rear Outer Wing-Fold Cylinder Rod Side Orifice
- V308—Thermal Relief Valve
- V309—Thermal Relief Valve
- V310—Manual Bleed Valve
- V311—Manual Bleed Valve
- V312—Restrictor Valve
- V313—Restrictor Valve
- V317—Fold Sequence Control Valve
- V321-3E—Left-Hand Outer Wing-Fold Cylinders Extend Counter Balance Valve
- V321-3R—Left-Hand Outer Wing-Fold Cylinders Retract Counter Balance Valve
- V322-3E—Left-Hand Inner Wing-Fold Cylinders Extend Counter Balance Valve
- V322-3R—Left-Hand Inner Wing-Fold Cylinders Retract Counter Balance Valve
- V325-3E—Right-Hand Outer Wing-Fold Cylinders Extend Counter Balance Valve
- V325-3R—Right-Hand Outer Wing-Fold Cylinders Retract Counter Balance Valve
- V326-3E—Right-Hand Inner Wing-Fold Cylinders Extend Counter Balance Valve
- V326-3R—Right-Hand Inner Wing-Fold Cylinders Retract Counter Balance Valve
- X370—Sequence Valve Pressure Diagnostic Port
- X371—Wing Fold Pressure Diagnostic Port
- X372—Wing UnFold Pressure Diagnostic Port
- Y370—Fold Shutoff Solenoid Valve

OUHX149_0002BCA-19-20170629



Thank you very much
for your reading.
Please click here
to get more information.