

# John Deere 1010B, 1058 Wheeled Forwarder Diagnostic, Operation and Test Service Manual (tm1942)

**32, 36, 48  
and 52-Inch  
Commercial  
Walk-Behind Mowers**



JOHN DEERE

## TECHNICAL MANUAL

32, 36, 48 and 52-Inch Commercial  
Walk-Behind Mowers

TM1305 (01JUL88) English



John Deere  
Lawn & Grounds Care Division  
TM1305 (01JUL88)

LITHO IN U.S.A.  
ENGLISH



**Covers:** 1010B,1058

**Type:** Service Manual

**Language:** English

**Pages:** 702

**Format:** PDF

**Features:** Bookmarked, searchable, printable

**Compatibility:** Windows/Mac/Tablet/Mobile

This service manual contains important information for the maintenance, troubleshooting and servicing of the **John Deere 1010B, 1058 Wheeled Forwarder Diagnostic, Operation and Test Service Manual (tm1942)**

In this manual you will find detailed specifications, illustrations, schematics, diagrams and step-by-step procedures to properly service and diagnose the machine to the manufacturer's standards.

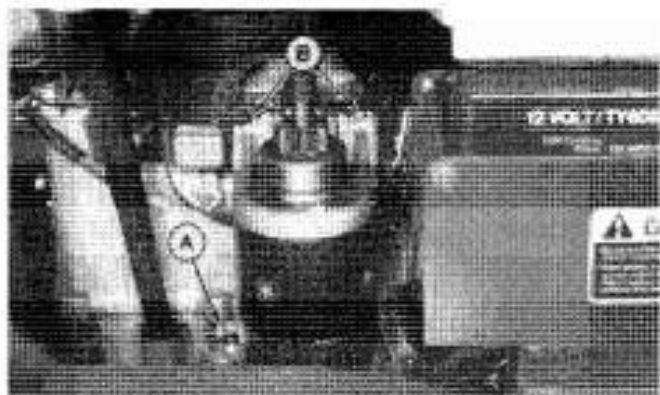
**Contents:**

- General Information
- Specifications
- Serial Number Location
- Engine Specifications
- Engine Diagnostics
- Engine Tests and Adjustments
- Engine Repair
- Power Train
- Transmission
- Axles
- Differential
- PTO
- Hydraulic System
- Electrical System
- Electrical Tests and Diagnostics
- Wiring Diagram / Schematic
- Ignition and Charging
- Steering
- Brakes
- Wheels
- Operator's Platform
- Body Panels
- Disassembly and Assembly
- Diagnostics, Tests and Adjustments
- Troubleshooting
- and much more...

Please note this manual is in **downloadable PDF format only**. If you have any questions about this product or would like to request sample pages, please contact us and reference the product name or SKU.

### REMOVE STARTER (S.N. 105000—107000)

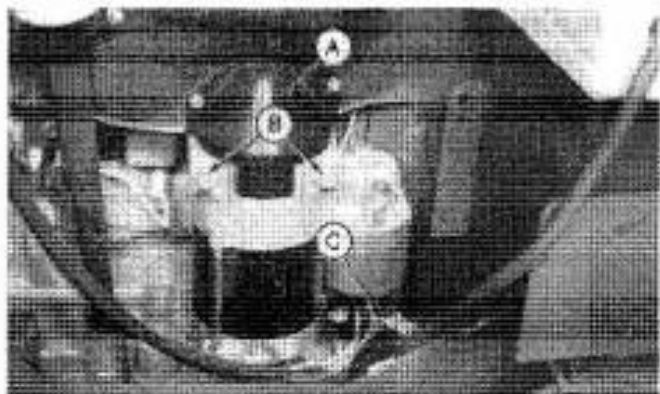
1. Disconnect cable (A).
2. Remove shield from blower housing.
3. Remove nuts (B) and remove starter.



013, TY, 350 3 BM2, 4037H -A2 220688

### REMOVE STARTER (S.N. 107001—116000)

1. Disconnect negative (-) cable from battery.
2. Remove cover (A).
3. Remove cap screws (B) and remove starter.
4. Remove nut (C) to remove wires.



013, TY, 462 0 BM2, 4037H -A3 220688

### REMOVE STARTER (S.N. 116001— )

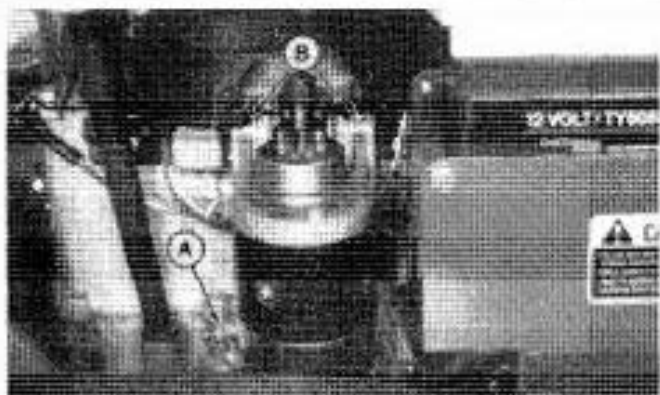
1. Disconnect negative (-) cable from battery.
2. Remove cap screws (A) and starter.
3. Disconnect wires from solenoid (B).



017, W51460 BM2, 4037H -A4 220688

### INSTALL STARTER (S.N. 105000—107000)

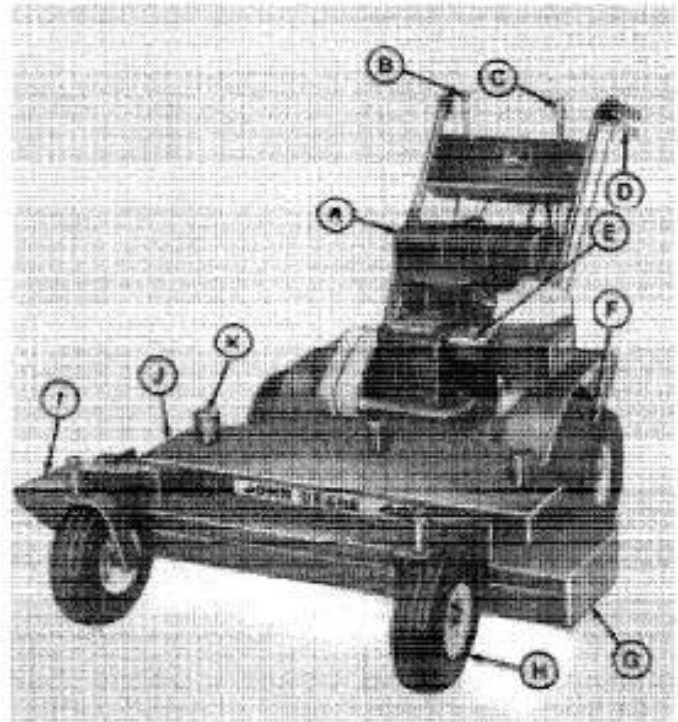
1. Place starter onto studs and secure with nuts (B).
2. Install shield to blower housing.
3. Connect positive (+) cable (A) to solenoid



013, TY, 350 3 BM2, 4037H -A2 220688

- A—Fuel Tank
- B—Ground Speed Lever
- C—Blade Engagement Lever
- D—Traction Control Lever
- E—Air Cleaner
- F—Drive Wheel
- G—Deck
- H—Caster Wheel
- I—Discharge Spout
- J—Belt Cover
- K—Spindle Cover

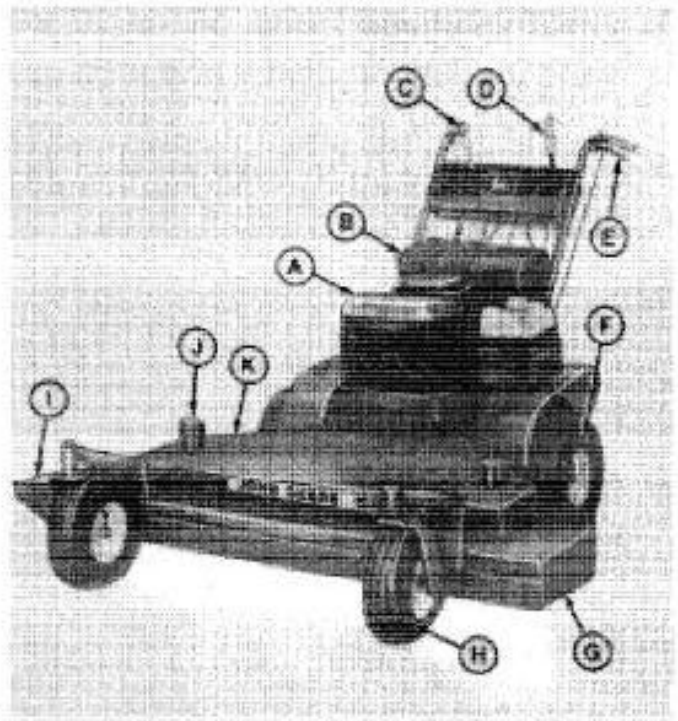
48 Inch Mower (S.N. —116000)



OL3;TY9216 5 8M2;1005H -A1 220698

- A—Air Cleaner
- B—Fuel Tank
- C—Ground Speed Lever
- D—Blade Engagement Lever
- E—Traction Control Lever
- F—Drive Wheel
- G—Deck
- H—Caster Wheel
- I—Discharge Spout
- J—Spindle Cover
- K—Belt Cover

52 Inch Mower (S.N. —116000)



OL3;TY9216 7 8M2;1005H -A2 220698



Thank you very much  
for your reading.  
Please click here  
to get more information.