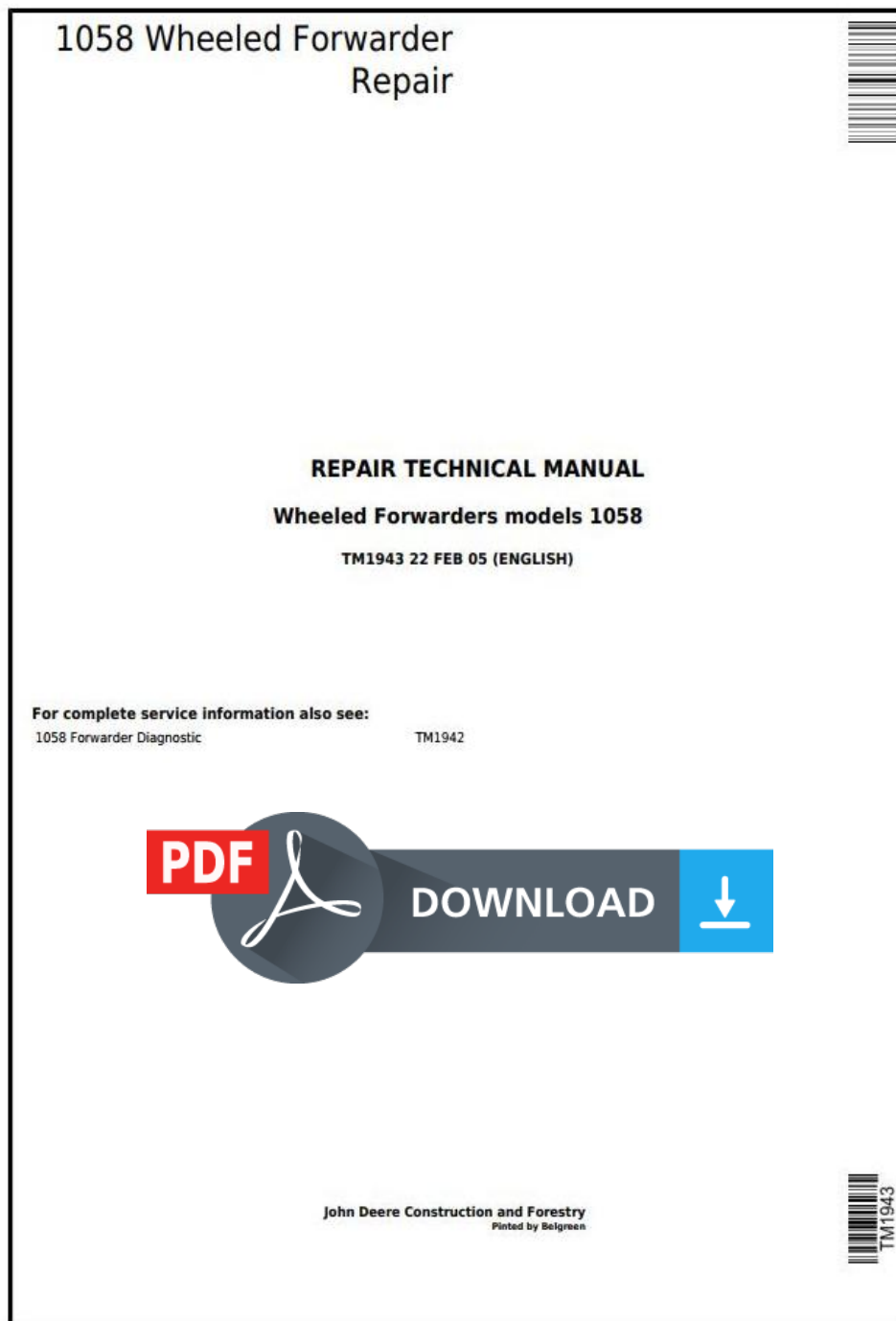


# John Deere 1010B, 1058 Wheeled Forwarder Service Repair Technical Manual (tm1943)



**Covers:** 1010B,1058

**Type:** Service Manual

**Language:** English

**Pages:** 651

**Format:** PDF

**Features:** Bookmarked, searchable, printable

**Compatibility:** Windows/Mac/Tablet/Mobile

This service manual contains important information for the maintenance, troubleshooting and servicing of the **John Deere 1010B, 1058 Wheeled Forwarder Service Repair Technical Manual (tm1943)**

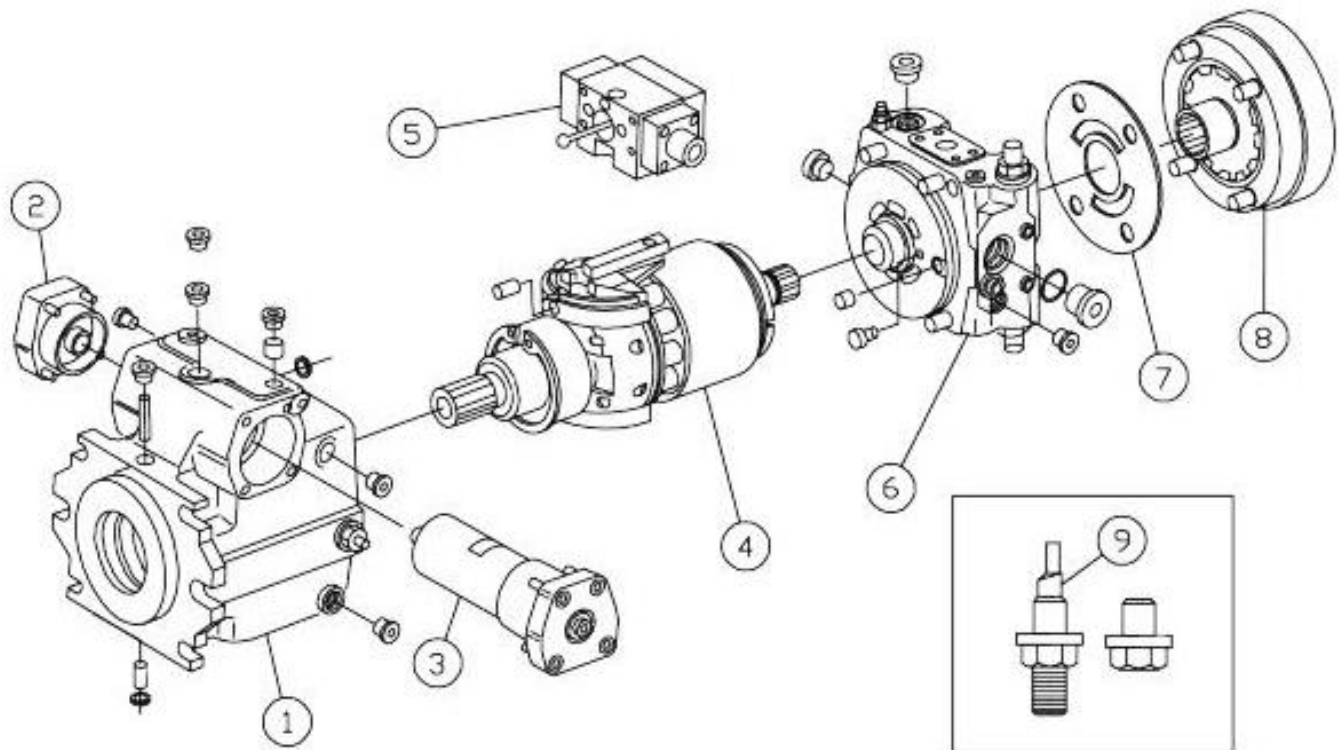
In this manual you will find detailed specifications, illustrations, schematics, diagrams and step-by-step procedures to properly service and diagnose the machine to the manufacturer's standards.

**Contents:**

- General Information
- Specifications
- Serial Number Location
- Engine Specifications
- Engine Diagnostics
- Engine Tests and Adjustments
- Engine Repair
- Power Train
- Transmission
- Axles
- Differential
- PTO
- Hydraulic System
- Electrical System
- Electrical Tests and Diagnostics
- Wiring Diagram / Schematic
- Ignition and Charging
- Steering
- Brakes
- Wheels
- Operator's Platform
- Body Panels
- Disassembly and Assembly
- Diagnostics, Tests and Adjustments
- Troubleshooting
- and much more...

Please note this manual is in **downloadable PDF format only**. If you have any questions about this product or would like to request sample pages, please contact us and reference the product name or SKU.

## Hydrostatic Drive Pump Disassembly

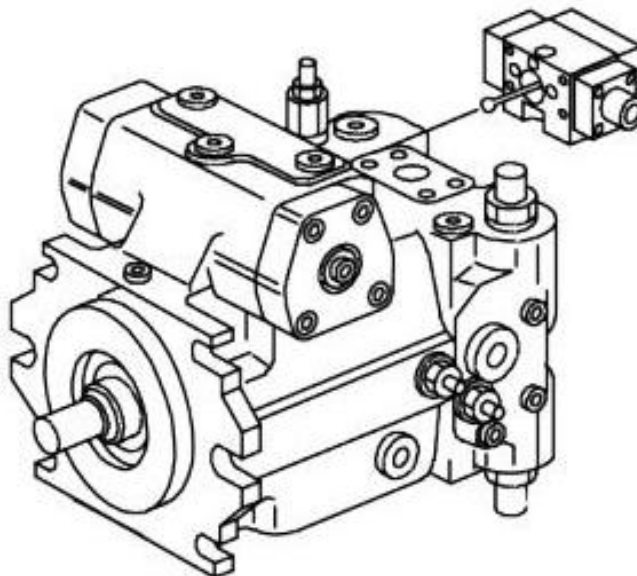


### Hydrostatic Drive Pump

#### LEGEND:

- |   |                                |
|---|--------------------------------|
| 1 | Housing                        |
| 2 | Control Piston Cover           |
| 3 | Control Piston Assembly        |
| 4 | Rotary Group                   |
| 5 | Hydraulic Pilot Control Device |
| 6 | Port Plate                     |
| 7 | Valve Plate                    |
| 8 | Charge Pump                    |
| 9 | Indexing Screw                 |

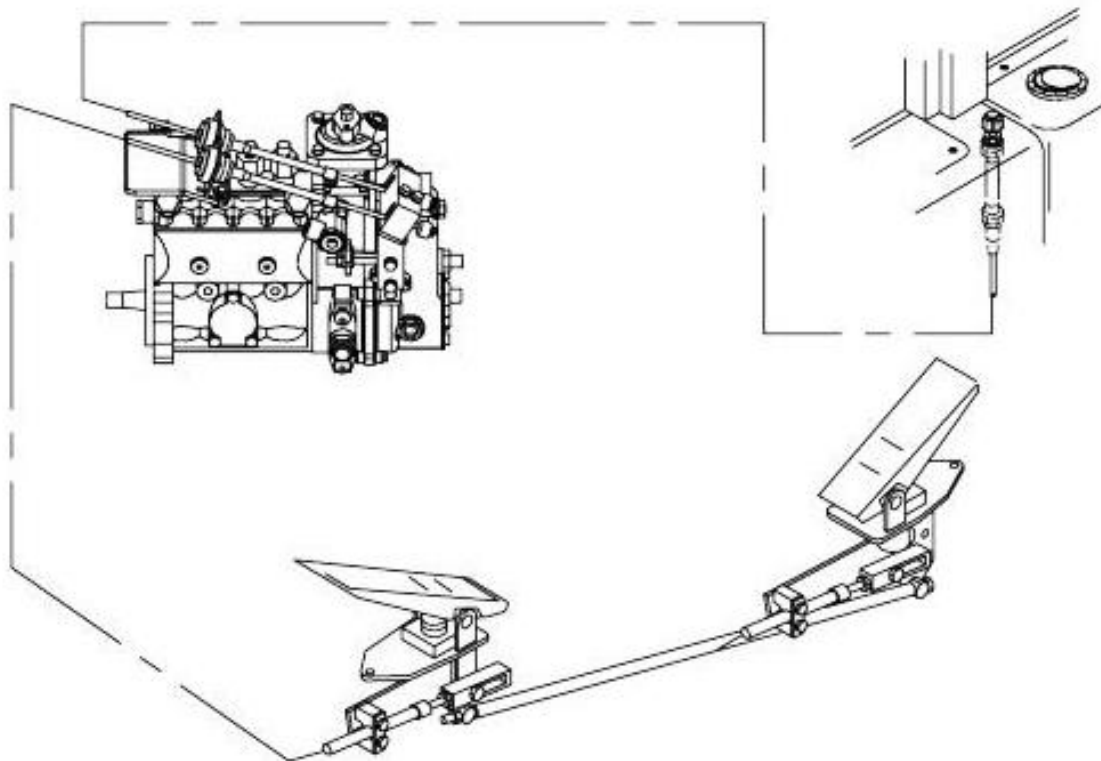
**[1]** - Remove the control device.



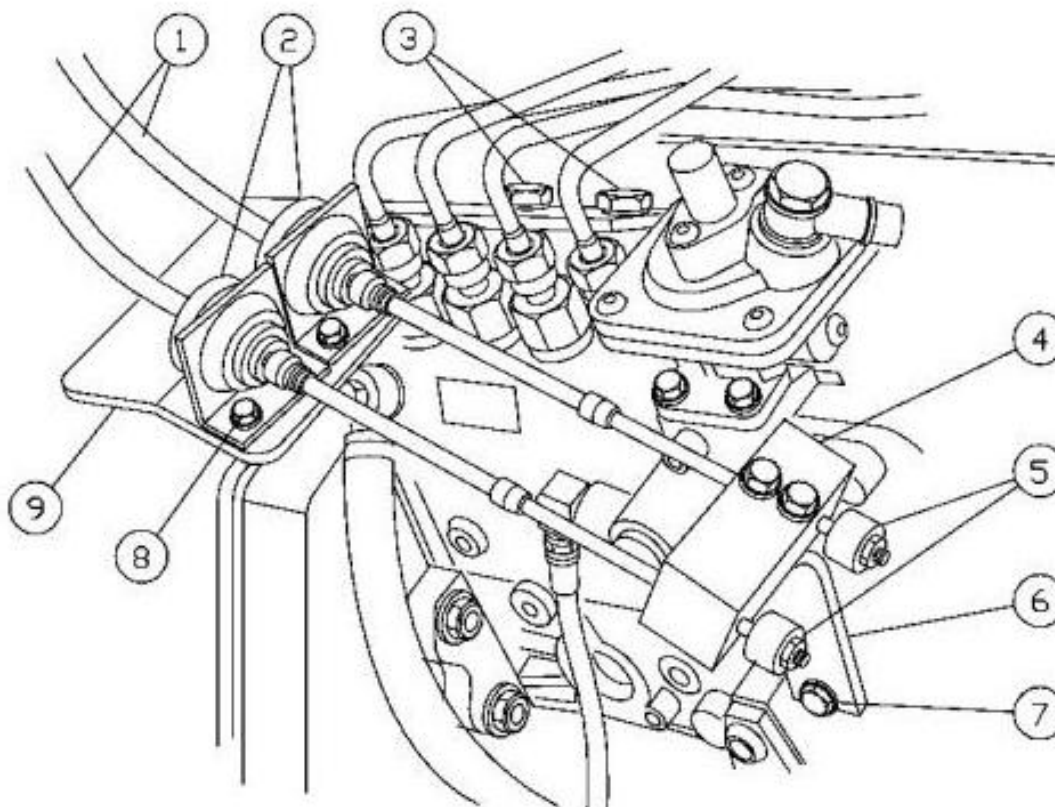
### Hydrostatic Drive Pump, Control Device

## Group 0515 - Engine Speed Controls

### Throttle Linkage Installation



#### Throttle Linkage



#### Dual Throttle Linkage at engine

**LEGEND:**



Thank you very much  
for your reading.  
Please click here  
to get more information.