

John Deere 1175, 1175 Hydro Combine Diagnostic and Tests Technical Manual (TM802919)

1175 Hydro Combine Diagnostic

TECHNICAL MANUAL

1175 HYDRO, 1175

TM802919 28JUL12 (ENGLISH)

For complete service information also see:

1165 and 1175 (SE:053913-), 1175 Hydro (SE:054574-) Combines, Repair TM8205

Alternators and Starting Motors CTM77

PowerTech 4.5L and 6.8L Diesel Engines Mechanical Fuel Systems CTM207

PowerTech 4.5L & 6.8L Diesel Engines Tier 1/Stage I, Tier 2/Stage II, Tier 3/Stage IIIA, Tier 3/Stage IIA Tier 3/Stage IIB (Engine) CTM104

PDF



DOWNLOAD



John Deere Agriculture

Covers: 1175,1175

Type: Service Manual

Language: English

Pages: 465

Format: PDF

Features: Bookmarked, searchable, printable

Compatibility: Windows/Mac/Tablet/Mobile

This service manual contains important information for the maintenance, troubleshooting and servicing of the **John Deere 1175, 1175 Hydro Combine Diagnostic and Tests Technical Manual (TM802919)**

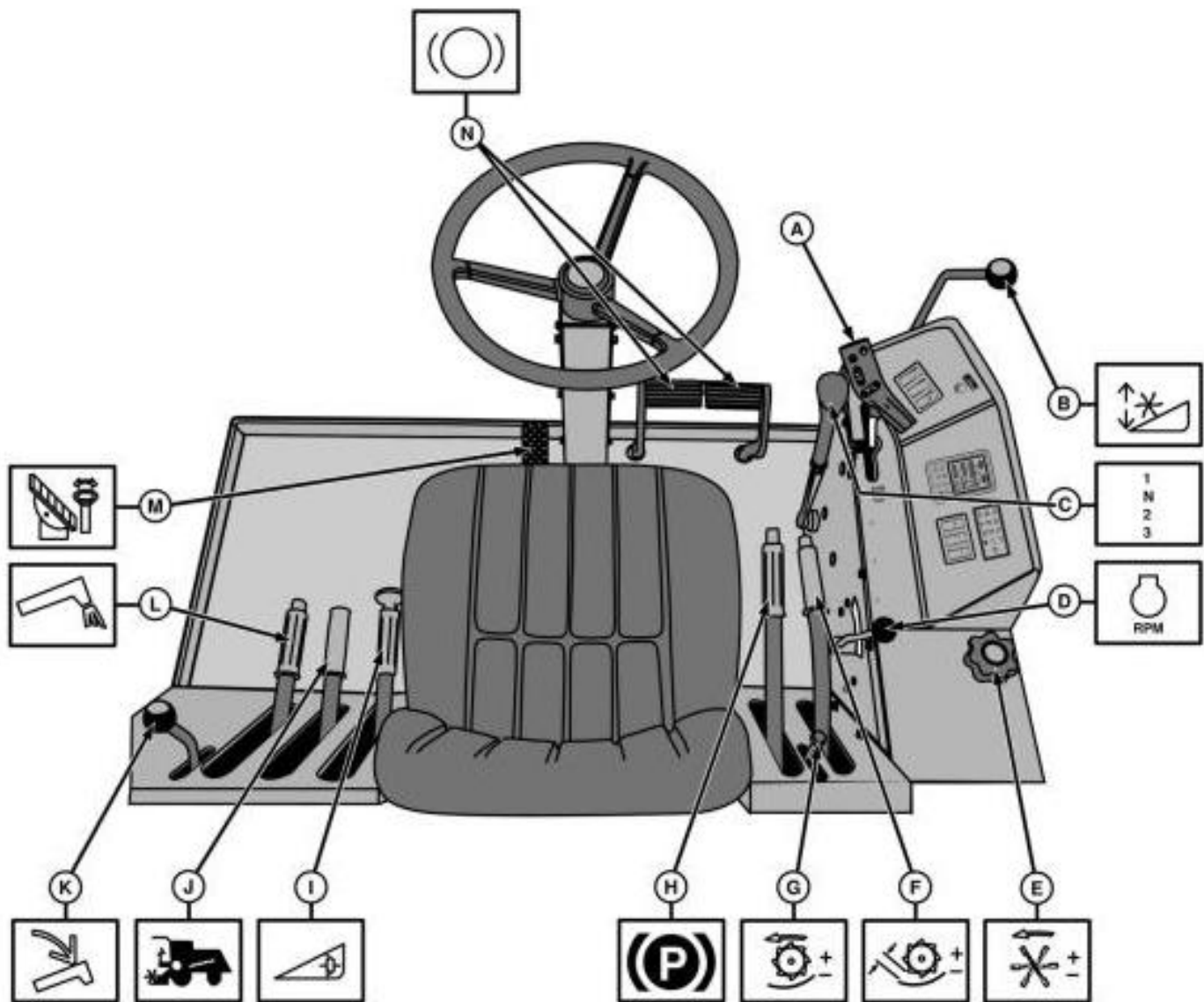
In this manual you will find detailed specifications, illustrations, schematics, diagrams and step-by-step procedures to properly service and diagnose the machine to the manufacturer's standards.

Contents:

- General Information
- Specifications
- Serial Number Location
- Engine Specifications
- Engine Diagnostics
- Engine Tests and Adjustments
- Engine Repair
- Power Train
- Transmission
- Axles
- Differential
- PTO
- Hydraulic System
- Electrical System
- Electrical Tests and Diagnostics
- Wiring Diagram / Schematic
- Ignition and Charging
- Steering
- Brakes
- Wheels
- Operator's Platform
- Body Panels
- Disassembly and Assembly
- Diagnostics, Tests and Adjustments
- Troubleshooting
- and much more...

Please note this manual is in **downloadable PDF format only**. If you have any questions about this product or would like to request sample pages, please contact us and reference the product name or SKU.

General View of Controls and Instruments



General View of Instrument Panel and Instruments

LEGEND:

A	Multi-Function Control Handle
B	Reel Height Control Lever
C	Gearshift Lever
D	Throttle
E	Reel Speed Control Knob
F	Concave Clearance Adjustment Lever
G	Cylinder Speed Control Lever
H	Parking Brake
I	Header Transmission Engage Lever
J	Threshing Unit Drive Engage Lever
K	Unloading Auger Swing Lever
L	Unloading Auger Engage Lever
M	Steering Column Lock Pedal
N	Brake Pedals



Thank you very much
for your reading.
Please click here
to get more information.