

# John Deere 1775NT (SN.760100-770111) 16-Row Planters w.ExactEmerge Row Units Diagnostic (TM139419)

1775NT 16-Row Planters  
with ExactEmerge Row  
Units (SN. 760100-770111)  
Diagnostic



JOHN HARE



COLLECTION

## DIAGNOSIS AND TESTS MANUAL

ExactEmerge models 1775NT 16ROW (SN. 760101- 770111)

TM139419 01 DEC 15 (ENGLISH)

**For complete service information also see:**

1705 Series Planter Frame Repair	TM131319
MaxEmerge 5 & ExactEmerge Row Unit Repair	TM131219
Machine Connection Information	CTM441
120 Series Hydraulic Cylinders	CTM120519



John Deere Agriculture  
Printed by Belgreen



**Covers:** 1775NT,16ROW,760100-770111)

**Type:** Service Manual

**Language:** English

**Pages:** 1110

**Format:** PDF

**Features:** Bookmarked, searchable, printable

**Compatibility:** Windows/Mac/Tablet/Mobile

This service manual contains important information for the maintenance, troubleshooting and servicing of the **John Deere 1775NT (SN.760100-770111) 16-Row Planters w.ExactEmerge Row Units Diagnostic (TM139419)**

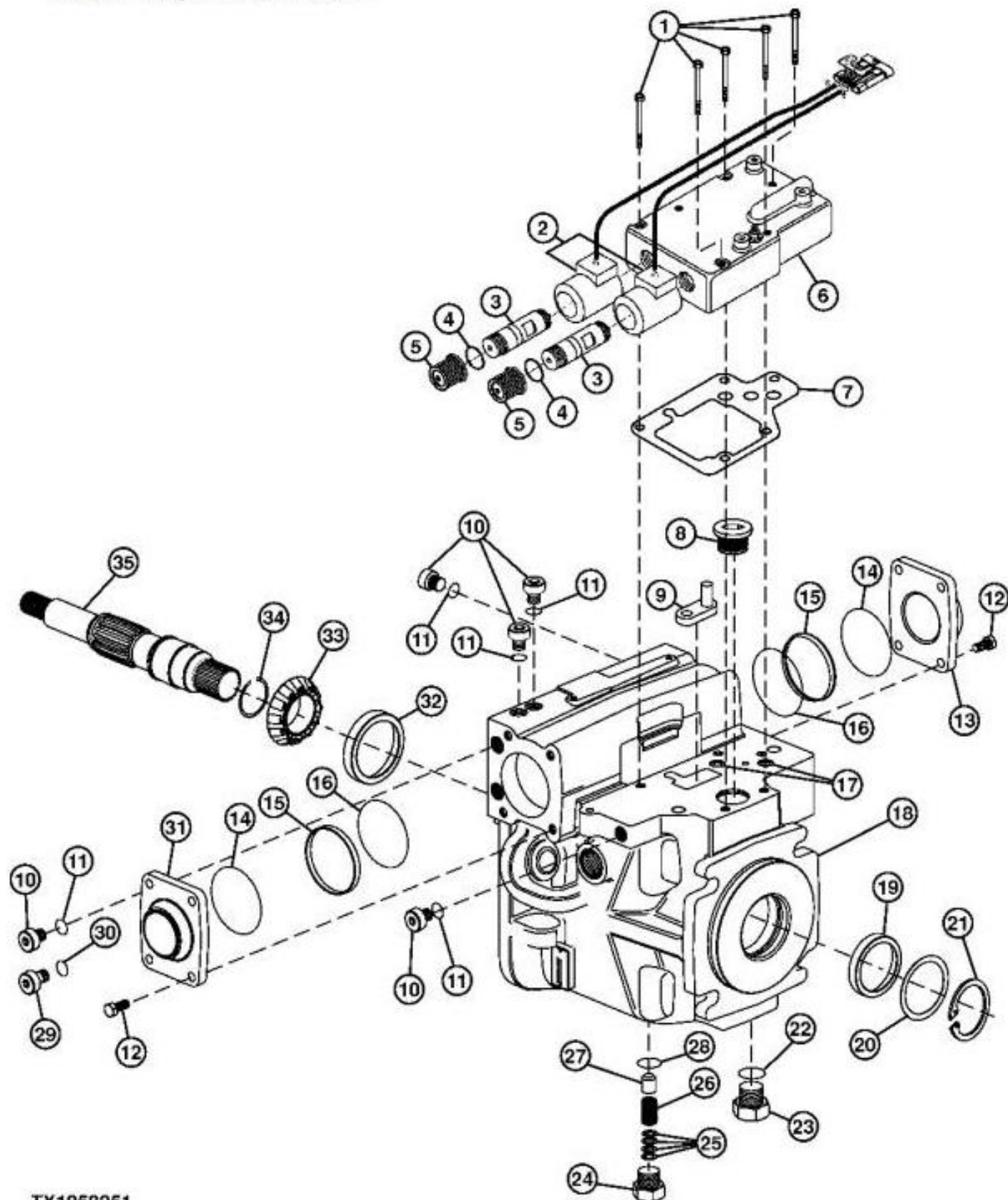
In this manual you will find detailed specifications, illustrations, schematics, diagrams and step-by-step procedures to properly service and diagnose the machine to the manufacturer's standards.

**Contents:**

- General Information
- Specifications
- Serial Number Location
- Engine Specifications
- Engine Diagnostics
- Engine Tests and Adjustments
- Engine Repair
- Power Train
- Transmission
- Axles
- Differential
- PTO
- Hydraulic System
- Electrical System
- Electrical Tests and Diagnostics
- Wiring Diagram / Schematic
- Ignition and Charging
- Steering
- Brakes
- Wheels
- Operator's Platform
- Body Panels
- Disassembly and Assembly
- Diagnostics, Tests and Adjustments
- Troubleshooting
- and much more...

Please note this manual is in **downloadable PDF format only**. If you have any questions about this product or would like to request sample pages, please contact us and reference the product name or SKU.

## 6WD Pump Disassemble



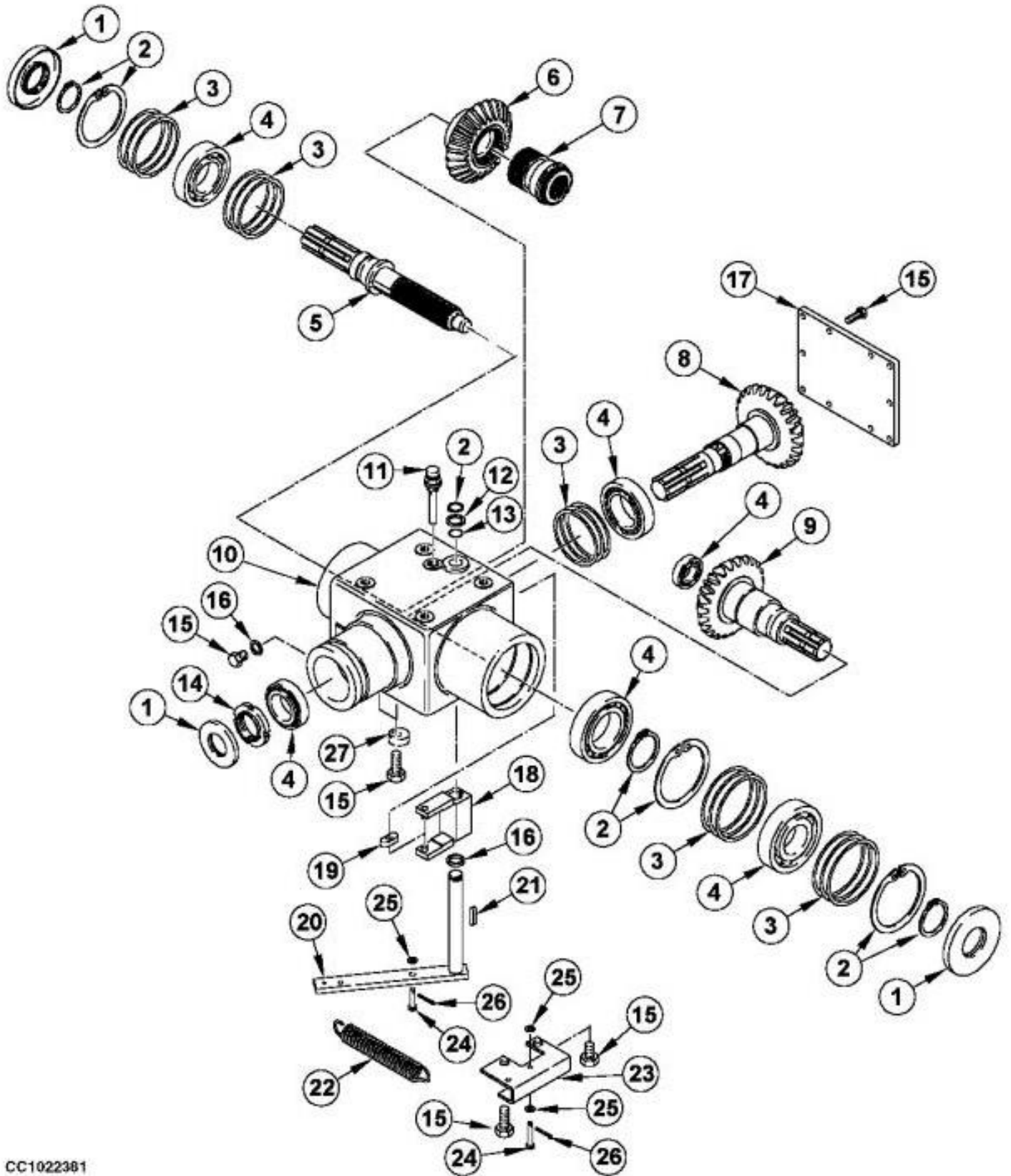
TX1058951

### 6WD Pump Housing Assembly

#### LEGEND:

- |   |  |
|---|--|
| 1 | Control Valve-to-Pump Housing Cap Screw (5 used) |
| 2 | Solenoid Coil (2 used)                           |
| 3 | Solenoid Tube (2 used)                           |
| 4 | O-Ring (2 used)                                  |

# Exploded View of Precutter or MAXICUT™ Precutter Gear Case (Baler S.N. —042336)



CC1022381

### Exploded View of Precutter Gear Case

**LEGEND:**

- 1 Seal
- 2 Snap ring
- 3 Shim(s)



Thank you very much  
for your reading.  
Please click here  
to get more information.