

# John Deere 20A Nursery and Green House Specialty Tractor Technical Service Manual (TM103219)

## 325J Backhoe Loader Repair



### REPAIR TECHNICAL MANUAL Side Shift Loaders models 325J TM11300 22 DEC 15 (ENGLISH)

For complete service information also see:

JDLINK (MTG) Technical Manual	TM114519
325J Backhoe Loader Diagnostic	TM11299
PowerTech E 4.5 and 6.8L Diesel Engines Level 16 Electronic Fuel System With Denso HPCR	CTM502
PowerTech 4.5L & 6.8L Diesel Engines Level 12 Electronic Fuel System With Standard DE16	CTM331
Super Caddy Oil	
120 Series Hydraulic Cylinders	
120 Series Hydraulic Cylinders	
125 Series Hydraulic Cylinders	
PowerTech 4.5L & 6.8L Diesel Engines Tier 1/Stage I, Tier 2/Stage II, Tier 3/Stage IIIA, Tier 3/Stage IIA Tier 3/Stage III, (Base Engine)	CTM104
100 Series Hydraulic Cylinders	CTM103519
COOLANT HEATER SERVICE MANUAL	CTM10090X19

PDF



DOWNLOAD



John Deere Construction and Forestry  
Printed by Belgreen



TM11300

**Type:** Service Manual

**Language:** English

**Pages:** 789

**Format:** PDF

**Features:** Bookmarked, searchable, printable

**Compatibility:** Windows/Mac/Tablet/Mobile

This service manual contains important information for the maintenance, troubleshooting and servicing of the **John Deere 20A Nursery and Green House Specialty Tractor Technical Service Manual (TM103219)**

In this manual you will find detailed specifications, illustrations, schematics, diagrams and step-by-step procedures to properly service and diagnose the machine to the manufacturer's standards.

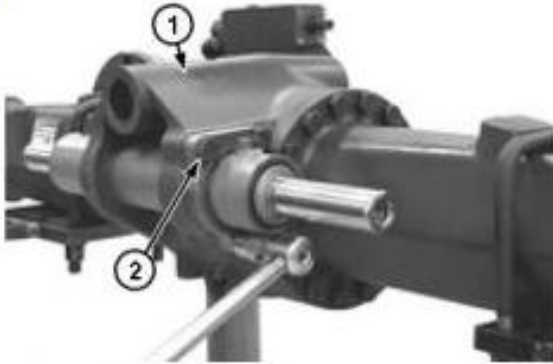
**Contents:**

- General Information
- Specifications
- Serial Number Location
- Engine Specifications
- Engine Diagnostics
- Engine Tests and Adjustments
- Engine Repair
- Power Train
- Transmission
- Axles
- Differential
- PTO
- Hydraulic System
- Electrical System
- Electrical Tests and Diagnostics
- Wiring Diagram / Schematic
- Ignition and Charging
- Steering
- Brakes
- Wheels
- Operator's Platform
- Body Panels
- Disassembly and Assembly
- Diagnostics, Tests and Adjustments
- Troubleshooting
- and much more...

Please note this manual is in **downloadable PDF format only**. If you have any questions about this product or would like to request sample pages, please contact us and reference the product name or SKU.

## Steering Cylinder Remove

[1] -



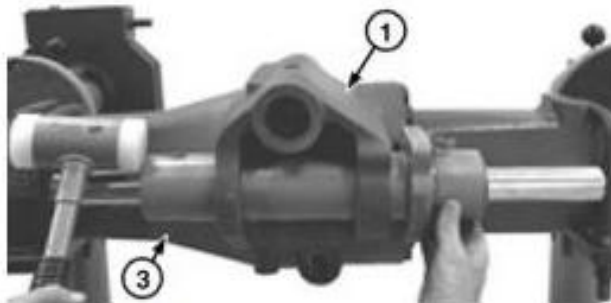
### LEGEND:

- 1 Axle Housing
- 2 Steering Cylinder Cap Screw (3 used)

### Steering Cylinder Cap Screws

Remove steering cylinder cap screws (2) from axle housing (1).

[2] -



### LEGEND:

- 1 Axle Housing
- 3 Steering Cylinder

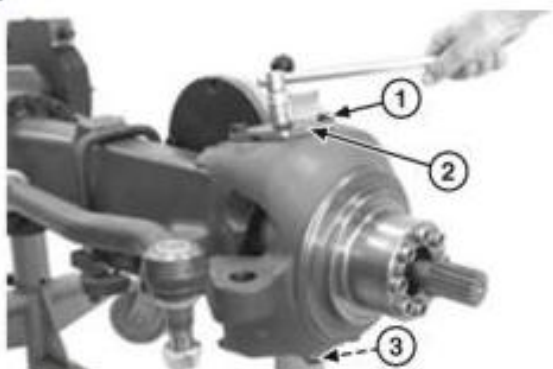
### Steering Cylinder

Remove steering cylinder (3) from axle housing.

[3] - For disassembly of steering cylinder, [see Mechanical Front Wheel Drive \(MFWD\) Axle Steering Cylinder Disassemble and Assemble](#). (Group 0960.)

## Knuckle Housing Remove

[1] -



### LEGEND:

- 1 Cap Screw (8 used)
- 2 Upper King Pin
- 3 Lower King Pin

### King Pin Cap Screws

Drain oil from axle housing, [see Change MFWD Front Axle Housing Oil](#). (Operator's Manual.)

[2] - Remove cap screws (1) from upper king pin (2) and lower king pin (3).

[3] - Remove upper and lower king pins.

[4] -



Thank you very much  
for your reading.  
Please click here  
to get more information.