

John Deere 225CLC RTS RTS Excavator Service Repair Technical Manual (TM2096)

624K 4WD Loader (SN.
642635-658064) with
Engine 6068HDW78 (iT4)



OPERATION AND TEST MANUAL

4WD Loaders models 624K w. Engine 6068HDW78 (iT4) (PIN:
1DW624KZ**E642635-658064)

TM12101 22 FEB 16 (ENGLISH)



Type: Service Manual

Language: English

Pages: 525

Format: PDF

Features: Bookmarked, searchable, printable

Compatibility: Windows/Mac/Tablet/Mobile

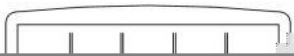
This service manual contains important information for the maintenance, troubleshooting and servicing of the **John Deere 225CLC RTS RTS Excavator Service Repair Technical Manual (TM2096)**

In this manual you will find detailed specifications, illustrations, schematics, diagrams and step-by-step procedures to properly service and diagnose the machine to the manufacturer's standards.

Contents:

- General Information
- Specifications
- Serial Number Location
- Engine Specifications
- Engine Diagnostics
- Engine Tests and Adjustments
- Engine Repair
- Power Train
- Transmission
- Axles
- Differential
- PTO
- Hydraulic System
- Electrical System
- Electrical Tests and Diagnostics
- Wiring Diagram / Schematic
- Ignition and Charging
- Steering
- Brakes
- Wheels
- Operator's Platform
- Body Panels
- Disassembly and Assembly
- Diagnostics, Tests and Adjustments
- Troubleshooting
- and much more...

Please note this manual is in **downloadable PDF format only**. If you have any questions about this product or would like to request sample pages, please contact us and reference the product name or SKU.



A6

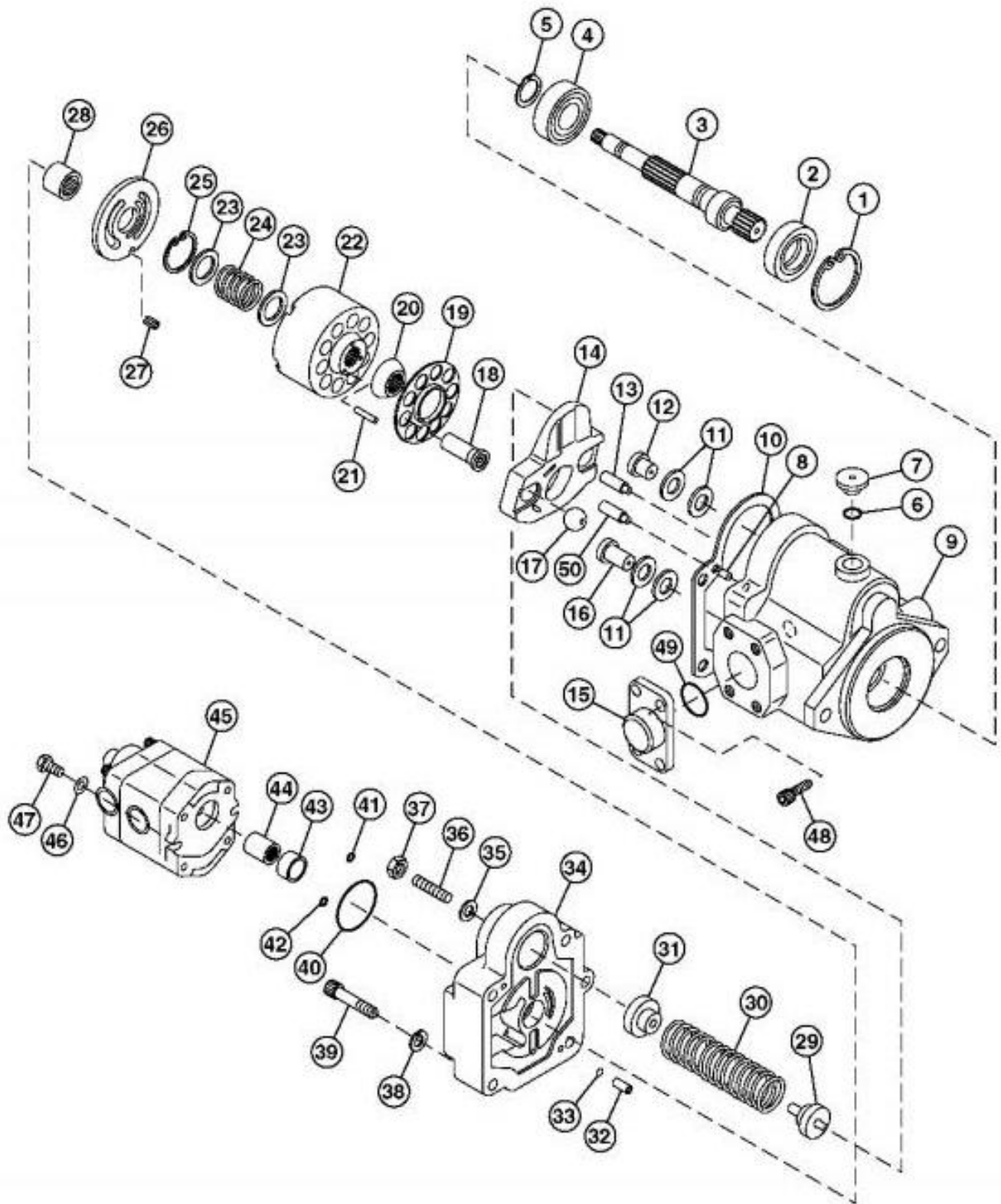
G8
VEHICLE



BATTERY POWER



Hydraulic Pump Assemble



T207938

Hydraulic Pump Exploded View

LEGEND:

- 1 Snap Ring
- 2 Seal
- 3 Shaft



Thank you very much
for your reading.
Please click here
to get more information.