




John Deere 244J (SN:-23289) , 304J (SN:-23371) Compact Loader Diagnostic&Test Service Manual (TM2206)

F440M and F440R Round
Baler Diagnostics
(Worldwide Edition)




DIAGNOSIS AND TESTS MANUAL
Round Balers models F440M, F440R
TM300819 01 DEC 15 (ENGLISH)

For complete service information also see:
F440M and F440R Round Baler Repair (Worldwide Edition) TM300919

PDF  **DOWNLOAD** 

John Deere Agriculture
Printed by Belgreen



TM300819

Covers: 244J,23289),304J,23371)

Type: Service Manual

Language: English

Pages: 391

Format: PDF

Features: Bookmarked, searchable, printable

Compatibility: Windows/Mac/Tablet/Mobile

This service manual contains important information for the maintenance, troubleshooting and servicing of the **John Deere 244J (SN:-23289) , 304J (SN:-23371) Compact Loader Diagnostic&Test Service Manual (TM2206)**

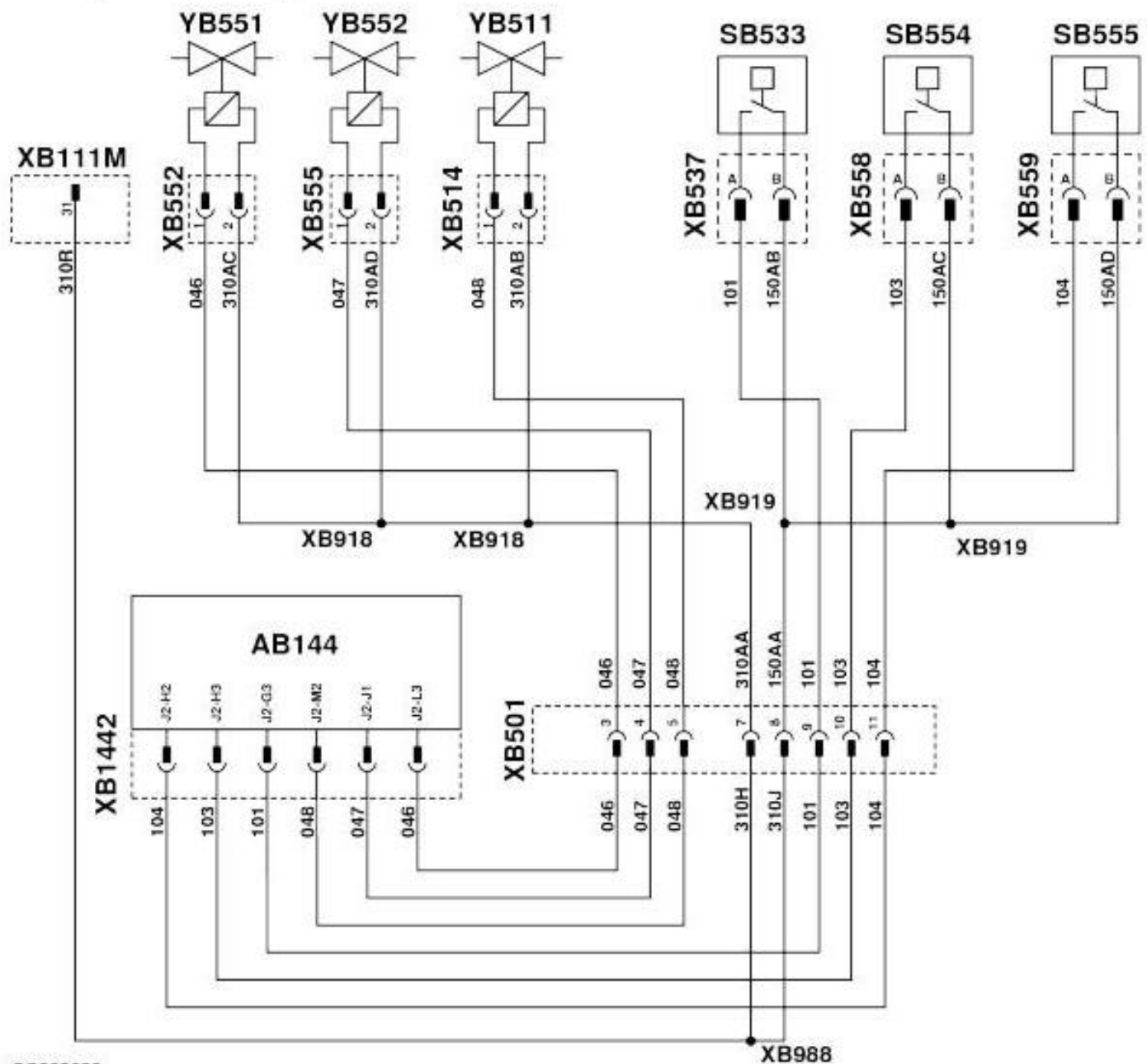
In this manual you will find detailed specifications, illustrations, schematics, diagrams and step-by-step procedures to properly service and diagnose the machine to the manufacturer's standards.

Contents:

- General Information
- Specifications
- Serial Number Location
- Engine Specifications
- Engine Diagnostics
- Engine Tests and Adjustments
- Engine Repair
- Power Train
- Transmission
- Axles
- Differential
- PTO
- Hydraulic System
- Electrical System
- Electrical Tests and Diagnostics
- Wiring Diagram / Schematic
- Ignition and Charging
- Steering
- Brakes
- Wheels
- Operator's Platform
- Body Panels
- Disassembly and Assembly
- Diagnostics, Tests and Adjustments
- Troubleshooting
- and much more...

Please note this manual is in **downloadable PDF format only**. If you have any questions about this product or would like to request sample pages, please contact us and reference the product name or SKU.

Precutter Knife Control Schematic for Virtual Terminal Baler without Implement Plug

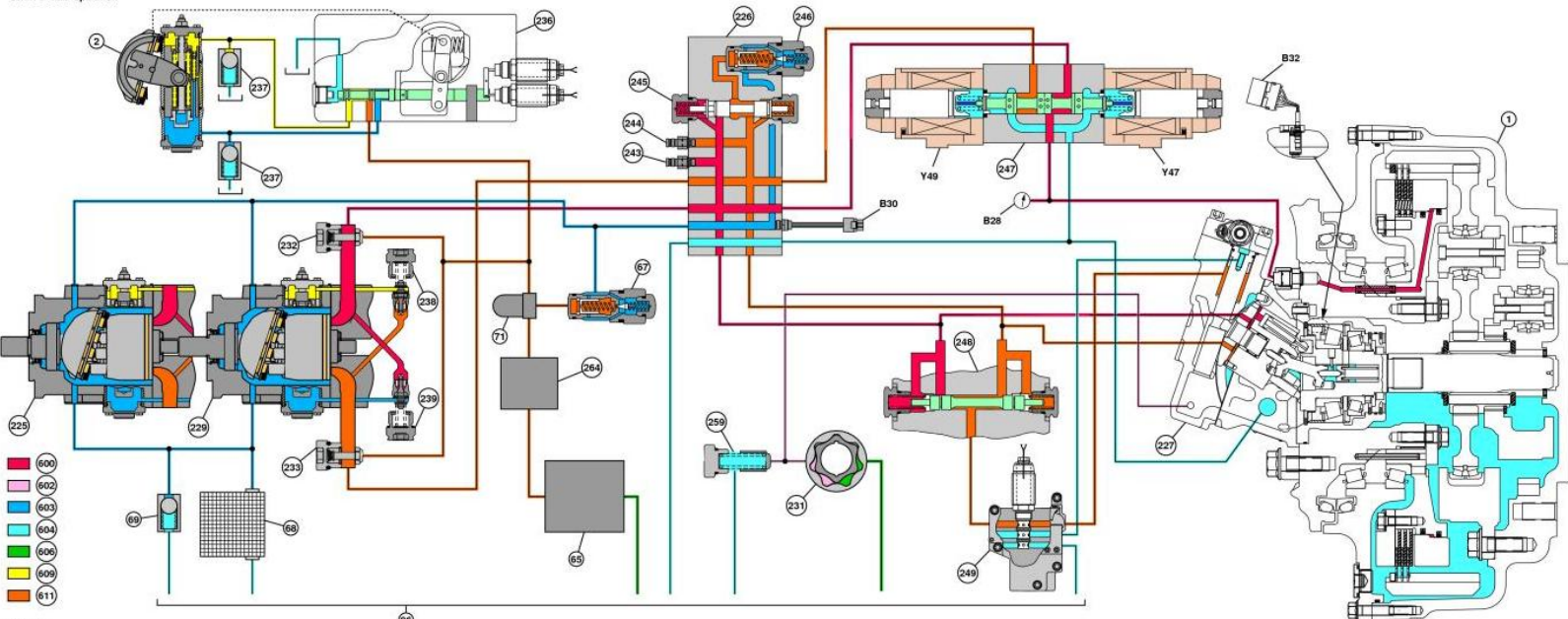


CC209638

Precutter Knife Control Schematic for Virtual Terminal Baler with Implement Plug

LEGEND:

WB1	WB1 - Main Wiring Harness for Virtual Terminal Baler without Implement Plug
WB2	WB2 - Precutter Wiring Harness
AB144	AB144 - Electronic Control Unit
SB533	SB533 - Drop Floor Sensor
SB554	SB554 - Sensor for Precutter Knife Set 1
SB555	SB555 - Sensor for Precutter Knife Set 2
XB111M	(WB1) XB111M - 3-Terminal Plug for Power Supply
XB1442	(WB1) XB1442F - 48-Terminal Plug 2 for Control Unit
XB1442	(AB144) XB1442M - 48-Terminal Plug 2 for Control Unit
XB501	(WB2) XB501F - 12-Terminal Plug for Precutter Wiring Harness
XB501	(WB1) XB501M - 12-Terminal Plug for Pickup Wiring Harness
XB514	(WB2) XB514F - 2-Terminal Plug for Pickup Lift Solenoid
XB514	(YB511) XB514M - 2-Terminal Plug for Pickup Lift Solenoid
XB537	(SB533) XB537F - 2-Terminal Plug for Drop Floor Sensor
XB537	(WB2) XB537M - 2-Terminal Plug for Drop Floor Sensor
XB552	(WB2) XB552F - 2-Terminal Plug for Solenoid for Precutter Knife Set 1



TX1003175
6WD Forward Operation-Left Front Wheel



Thank you very much
for your reading.
Please click here
to get more information.